

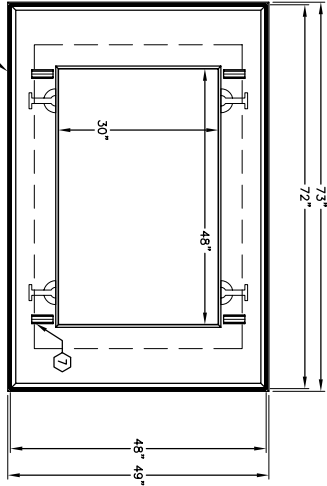
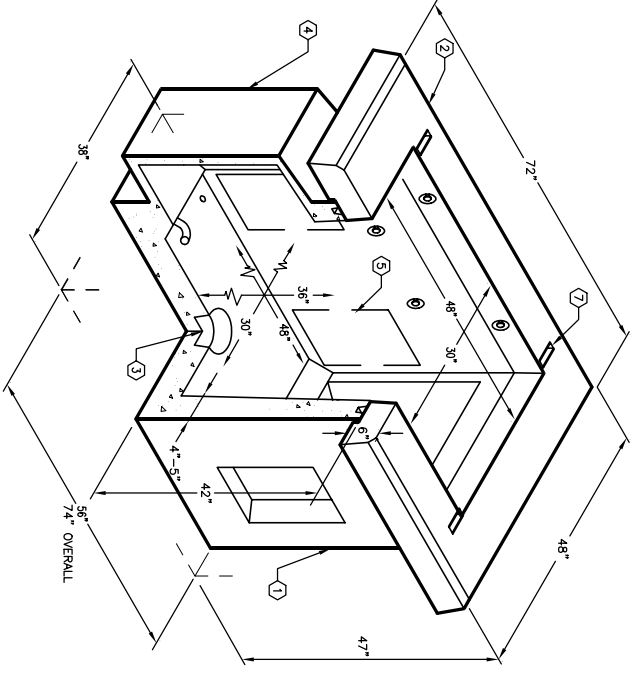
4'-0" x 6'-0" EDISON PMH-5 PAD W/2'-6" x 4'-0" ENCLOSURE X 36" DEEP

- NOTES:**
- VAULT DESIGNED IN ACCORDANCE WITH AASHTO H-20-44 TRAFFIC BRIDGE LOADING USING 5,500 PSI (37,820 KPA) COMPRESSIVE STRENGTH CONCRETE AND 60,000 PSI (4,137 KPA) TENSILE STRENGTH A-706 STEEL REINFORCEMENT PER CALCS #30750.
 - VAULT TO BE PLACED ON A MIN. 6" BASE OF CRUSHER RUN FOR EASE OF INSTALLATION AND EVEN LOAD DISTRIBUTION.
 - CONCRETE MIX USED IN POURING THIS PRODUCT SHALL USE FLY ASH AS AN ADMIXTURE.
- ORDERING INFORMATION:**
- K3048-PUV36-11 FOR ASSEMBLY AS SHOWN.
 PER EDISON SPEC. UCS 591.1 & 2.
 TOTAL WEIGHT OF ASSEMBLY AS SHOWN IS 3,986 Lbs.

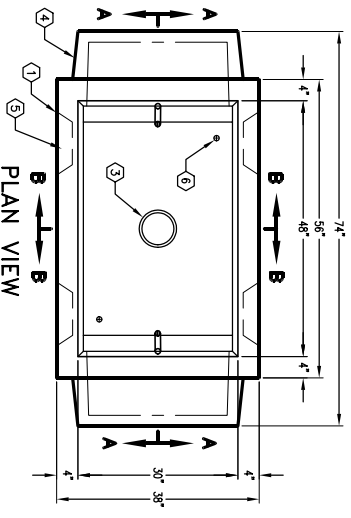
1. PB3048D-B36-05 36" BOTTOM SECTION, WT. 2,936 Lbs.
2. PB3048-P-11, 48" x 72" x 6" PMH PAD, WT. 1,050 Lbs.
3. 6" x 7" DIA. SUMP x 4" DEEP, BOTTOM SECTION
4. 24" x 26" DUCTED K.O. x 12" DEEP, PART T=SI=S2=2"
5. 8" x 16" K.O. x 3" DEEP, PART 1 1/2" ALL SIDES
6. BOTTOM SECTION (4) SHELL MTD. 1" DIA. BLIND GROUND ROD HOLE, BOTTOM SECTION (2) SHELL MTD. 5/8" GALV. UNISTRUT x 4" TRANS. PAD (2) TABLE MTD.
7. (2) TABLE MTD.

GENERAL NOTES:

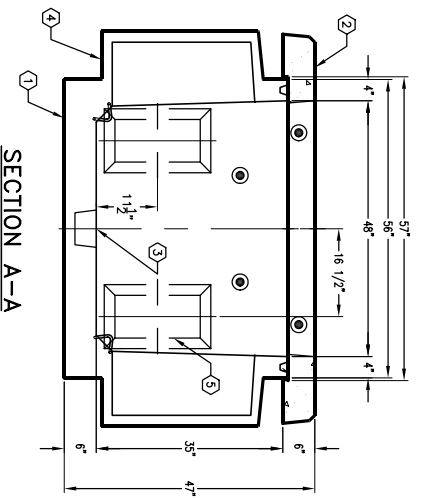
1. Minimum soil bearing capacity is hereby assumed to be 2,000 PSF unless otherwise determined by a geotechnical report that shall be provided to Jensen Precast by the end user. Jensen Precast by the end user shall be held responsible for the soil bearing capacity, vaults, handholes, meter boxes etc. will be as per Jensen Installation procedures.
2. Structural modification to the Jensen line of products is not allowed without the written approval from Jensen Engineering Department.
3. Do not scale the drawings, verify all dimensions including rough openings, if any discrepancies are found, immediately notify Jensen Engineer.
4. The Jensen Engineer will interpret the intent of the drawings in case of possible conflict or discrepancy, including:
5. Dimensional Tolerances - The length, width, height, or dia. measurements of the structure when measured on the inside surfaces shall not deviate from design dimensions by the following Tolerances:
 Dimensions: 0 to 5 Feet 1/4"
 5 to 10 Feet 3/8"
 10 to 20 Feet as agreed upon between the supplier and purchaser.
 Squariness Tolerance: Concrete shall be precast concrete. Concrete shall be precast concrete. The difference between such measurements shall not exceed the following:
 Measured Length: Allowable Difference 0 to 20 Feet 3/4"
 20 Feet and over as agreed upon between the supplier and purchaser.



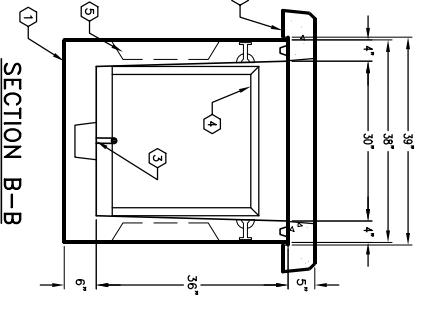
PLAN VIEW OF PAD



PLAN VIEW



SECTION A-A



SECTION B-B



K3048-PUV36-11
 PER EDISON SPEC. UCS 591.1 & 2
 03-01-02



K3048-PUV36-11
 PER EDISON SPEC. UCS 591.1 & 2
 03-01-02

DATE	DESCRIPTION	BY