

3'-0" x 5'-0" EDISON INTERCEPT BOX x 4'-2" DEEP

NOTES:

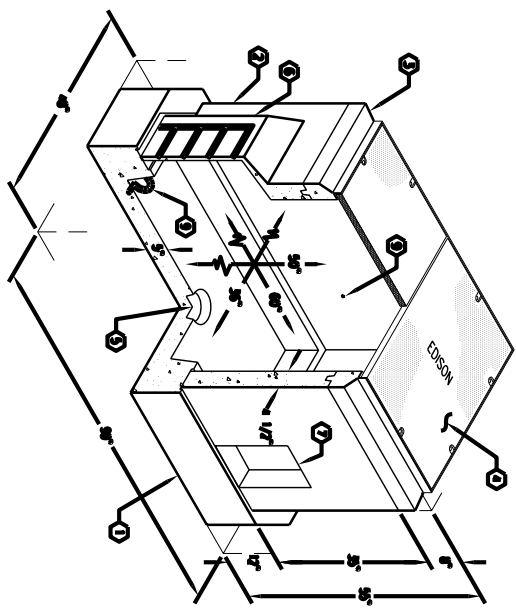
- 1. BOX DESIGNED IN ACCORDANCE WITH AASHTO PERFORMING CONTRACT SPECIFICATIONS 5.300 AND 5.305 FOR CONCRETE BOXES 18" TO 36" HIGH AND 6" TO 18" WIDE. STRUCTURE SHALL BE CAST IN PLACE CONCRETE.
- 2. MATERIAL TO BE PLACED ON A 6" GIRT OF CONCRETE FOR THE USES OF INSULATION AND EMB BANK OBSERVATION.

GENERAL REQUIREMENTS:

APPROVED FOR EDISON SPEC. U.S. 226.1 PB-5. TOTAL WEIGHT OF ASSEMBLY SHALL BE 641 LB.

1. FINISH - 1/2" TOP SURFACE, 1/4" BOTTOM SURFACE, 1/4" SIDE SURFACE.
2. FINISH - 1/2" TOP SURFACE, 1/4" BOTTOM SURFACE, 1/4" SIDE SURFACE.
3. FINISH - 1/2" TOP SURFACE, 1/4" BOTTOM SURFACE, 1/4" SIDE SURFACE.
4. FINISH - 1/2" TOP SURFACE, 1/4" BOTTOM SURFACE, 1/4" SIDE SURFACE.
5. FINISH - 1/2" TOP SURFACE, 1/4" BOTTOM SURFACE, 1/4" SIDE SURFACE.
6. FINISH - 1/2" TOP SURFACE, 1/4" BOTTOM SURFACE, 1/4" SIDE SURFACE.
7. FINISH - 1/2" TOP SURFACE, 1/4" BOTTOM SURFACE, 1/4" SIDE SURFACE.
8. FINISH - 1/2" TOP SURFACE, 1/4" BOTTOM SURFACE, 1/4" SIDE SURFACE.
9. FINISH - 1/2" TOP SURFACE, 1/4" BOTTOM SURFACE, 1/4" SIDE SURFACE.
10. FINISH - 1/2" TOP SURFACE, 1/4" BOTTOM SURFACE, 1/4" SIDE SURFACE.

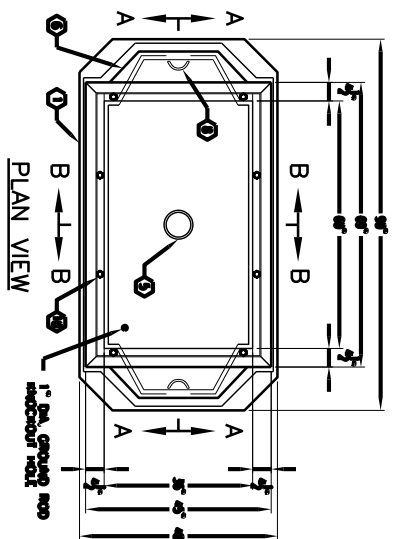
LIGHT TRAFFIC ASSEMBLY WITH STEEL COVER K3660-D150-11T.
 PARKWAY ASSEMBLY WITH RPM COVER K3660-D150-11P.



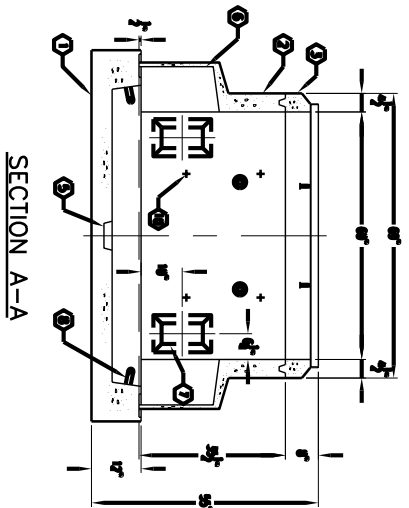
MINIMUM DIMENSION SIZE:
 4'-6" x 8'-0" x DEPTH REQD.



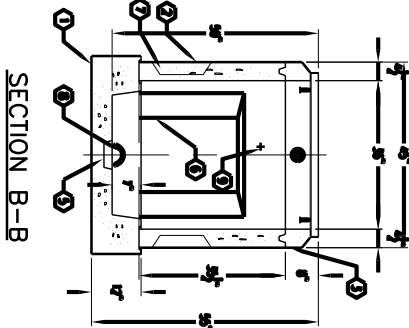
K3660-D150-11
 PER EDISON SPEC. U.S. 226.1 PB-5
 03-01-02



PLAN VIEW



SECTION A-A



SECTION B-B



K3660-D150-11
 PER EDISON SPEC. U.S. 226.1 PB-5
 03-01-02