

# 4'-0" x 5'-0" EDISON TRAFFIC VAULT NECK WITH CONCRETE COVER

**NOTES:**

DESIGNED IN ACCORDANCE WITH AASHTO H-20-44 TRAFFIC LOADING USING 5,500 P.S.I. COMPRESSIVE STRENGTH CONCRETE AND 60,000 P.S.I. YIELD STRENGTH GRADE 60 A-706 STEEL REINFORCEMENT PER CALCS. # 31635.

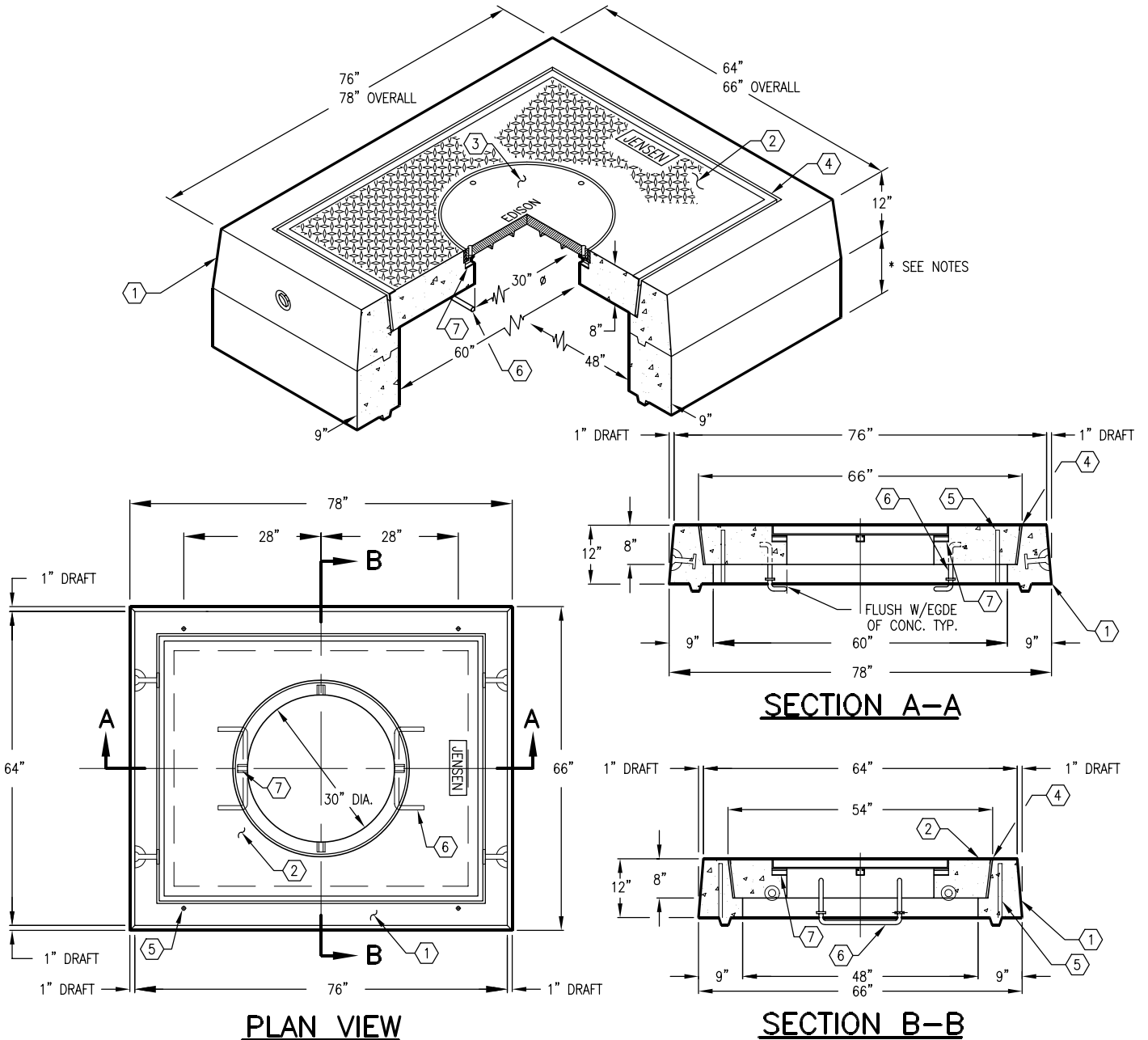
**EXTENSION ARE AVAILABLE IN THE FOLLOWING SIZES:**

- A) VN45-R6, 6" RISER SECTION (345-1834-1). WT. 1,200 Lbs.
- B) VN45-R12, 12" RISER SECTION (345-1834-3). WT. 2,400 Lbs.

- 1. VN45-N12-11, 12" NECK SECTION. WT. 1,949 Lbs.
- 2. VN45-T8-11, 8" COVER SECTION W/CAST-IN A-1106 RING. SURFACE TO BE DIAMOND PLATE IMPRINT. WT. 1,984 Lbs.
- 3. A-1106, 30" DIAMETER CAST IRON COVER MARKED "EDISON". WT. 290 Lbs.
- 4. 3/8" x 8" EXPANDED FELT.
- 5. 3/4" COIL THREADED ADJUSTING BOLT HOLE x 10 1/2" LONG, NECK SECTION (4) TONGUE FORMER MTD.
- 6. 3/4" DIAMETER GALVANIZED STRESS RELIEVED LADDER RUNG WITH (2) 1/4" THICK x 2 O.D. WASHERS, COVER SECTION (2) SURFACE MTD.
- 7. BOLT HOLE CLEAN OUTS (4 PLACES).

**ORDERING INFORMATION:**

K45-VN12-11T FOR ASSEMBLY AS SHOWN.  
 APPROVED FOR EDISON SPEC. UGS-470 & UGS-660.  
 TOTAL WEIGHT FOR ASSEMBLY AS SHOWN IS 4,223 Lbs.



AUTOCAD REL. 14

#	DATE	DESCRIPTION	BY

**K45-VN12-11T**

PER EDISON SPEC. UGS 470 & 660 03-01-02