

DROP INLET				
MODEL NO.	A	B	C	*WEIGHT
DI484848	48"	54"	36"	4995 LBS.
DI484860	60"	66"	42"	6433 LBS.
DI484872	72"	78"	42"	7872 LBS.

*BOX ONLY

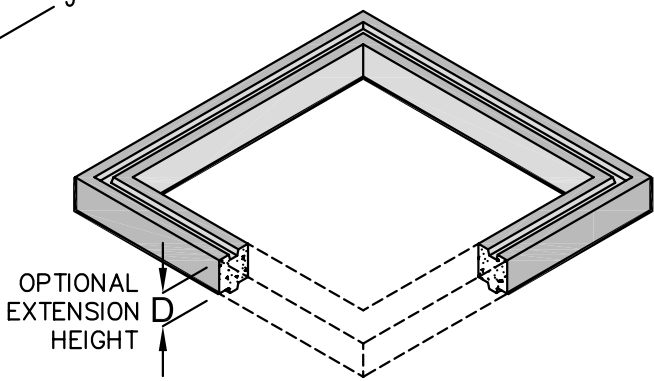
FRAME AND GRATE			
MODEL NO.	RATING	E	WEIGHT
SG4848-DIP	PEDESTRIAN	1 1/2"	242 LBS.
SG4848-DIT	TRAFFIC	5"	1000 LBS.

FRAME CAN BE CAST DIRECTLY INTO BOX (OPTIONAL)

INSIDE A HEIGHT OF BOX

OUTSIDE B HEIGHT OF BOX


THIN WALL KNOCKOUTS. B48 HAVE 36"φ. B60 & B72 HAVE 42"φ. SLEDGE OUT AS REQUIRED. (TYP. 4 PLACES)



EXTENSION		
MODEL NO.	D	WEIGHT
RS484806	6"	675 LBS.
RS484812	12"	1350 LBS.

- FRAME AND GRATE ASSEMBLY AVAILABLE IN TRAFFIC OR PEDESTRIAN MODELS.
- FRAME AND SOLID COVER ASSEMBLY AVAILABLE IN TRAFFIC OR PEDESTRIAN MODELS.
- DESIGN FOR H-20-44 BRIDGE LOADING.
- ASSEMBLY TO BE PLACED ON A 6" BASE OF CRUSHER RUN FOR EASE OF INSTALLATION AND EVEN LOAD DISTRIBUTION.
- FOR COMPLETE DESIGN AND PRODUCT INFORMATION, CONTACT JENSEN PRECAST.

■ ILLUSTRATION IS TYPICAL ONLY OF GENERAL SERIES CONFIGURATION: FOR SPECIFIC CONFIGURATION, CALL JENSEN PRECAST.

48" X 48" DRAIN INLET		 DI4848
ORG. DWG. DATE 11-28-00	REV. DWG. DATE	