

# 4'-0" x 6'-6" SDG&E TRAFFIC HANDHOLE x 5'-4" DEEP-3315

**NOTES:**

- CONCRETE IS DESIGNED FOR H-20-44 TRAFFIC LOADING USING 5,500 PSI [37.92MPa] COMPRESSIVE STRENGTH CONCRETE AND 60,000 PSI [413.2MPa] YIELD STRENGTH ASTM A-706 REINFORCEMENT STEEL PER CALCS. #31725 & 30440.
- CAST IRON COVER DESIGNED FOR TRAFFIC LOADING.
- HANDHOLE TO BE PLACED ON A 6" BASE OF CRUSHER RUN FOR EASE OF INSTALLATION AND EVEN LOAD DISTRIBUTION.
- ALL INTERIOR SURFACES SHALL BE PAINTED WITH ONE COAT OF FLAT LATEX WHITE PAINT.
- EXTERIOR SURFACES OF STRUCTURE(S) SHALL BE COATED WITH AN APPROVED, TRANSPARENT, WATER PROOFING SEALER
- STRUCTURE SHALL BE STENCILED, "JENSEN PRECAST" WITH "TIME" AND "DATE OF POUR" AND S.D.G. & E STOCK NUMBER ON INTERIOR AND EXTERIOR OF WALLS.
- 7/8" x 1 3/4" CONSEAL GASKET (45 FT. RECD) WILL BE SHIPPED WITH EACH HANDHOLE.

JENSEN PART NO.	S. D. G. & E. STOCK NO.
PB466-B60-10	334356
PB466-T12-10	287738
PB466-T10-10	287736
PB466-R24-10	336240
PB466-R12-10	336246
A-1472 COVER	287734

- GENERAL NOTES:**
- Minimum soil bearing capacity is hereby assumed to be 2000 PSF unless otherwise documented by a geotechnical report that shall be provided to Jensen Precast by the end user. Jensen Precast shall not be held responsible for the soil bearing capacity.
  - Installation of Manholes, Vaults, Handholes, Meter Boxes etc. will be as per Jensen installation procedures.
  - Structural modification to the Jensen line of products is not permitted without prior written approval from Jensen Engineering Department.
  - Do not scale the drawings, verify all dimensions including rough openings, if any discrepancies are found, notify the Jensen Engineer immediately.
  - The Jensen Engineer will interpret the intent of the drawings in case of possible conflict or discrepancy.
  - Permissible Variations:
    - Dimensional Tolerances – The length, width, height, or dia. measurements of the structure when measured on the inside surfaces shall not deviate from design dimensions by more than the following:
 

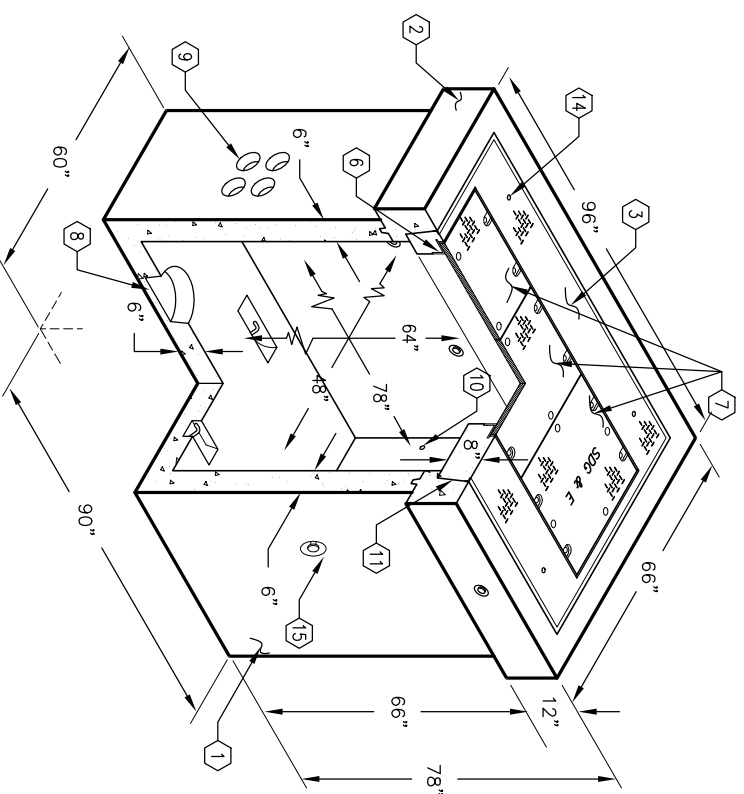
Dimensions:	Tolerance:
0 to 5 Feet	1/4"
5 to 10 Feet	3/8"
10 to 20 Feet	as agreed upon between the supplier and purchaser.
    - Squareness Tolerance: The inside of the precast concrete component shall be square as determined by diagonal measurements. The difference between such measurements shall not exceed the following:
 

Measured Length:	Allowable Difference
0 to 10 Feet	1/2"
10 to 20 Feet	3/4"
  - 20 Feet and over as agreed upon between the supplier and purchaser.

- PB466-B60-10, 60" BOTTOM SECTION, WT. 11,650 lbs.
- PB466-T12-10, 12" NECK SECTION, WT. 1,920 lbs.
- PB466-T10-10, 8" COVER SECTION, W/DIAMOND PLATE IMPRINTED SURFACE, WT. 2,180 lbs.
- PB466-R24-10, 24" EXTENSION SECTION, WT. 3,450 lbs. (NOT SHOWN, AVAILABLE ON SPECIAL ORDER.)
- PB466-R12-10, 12" EXTENSION SECTION, WT. 1,725 lbs. (NOT SHOWN, AVAILABLE ON SPECIAL ORDER.)
- 1472-001 STEEL FRAME, CAST-IN TO 500-T-10 COVER SECTION, A-1472 THREE PIECE CAST IRON TRAFFIC COVER WITH (6) 1" PICK HOLES, (12) 1/2"-13NC x 2 1/2" S.S.P.H. BOLTS FOR BOLT DOWN, & MARKED S. D. G. & E. WT. 680 lbs.
- 12" x 13" DIA. SUMP x 4" DEEP. LOCATE AS FOLLOWS:
  - 5" DIA. TERMINATORS, LOCATE AS FOLLOWS: BOTTOM SECTION (16) SHELL MTD.
  - 1 1/2" DIA. BRONZE GROUND INSERT WELDED TO REIN. W/PLASTIC PLUG. MARKED "GRD" IN RED. BOTTOM SECTION (2) CORE MTD.
  - 3/8" x 8" EXPANDED FELT.
11. 1/2" x 8" P-35-T INSERT. LOCATE AS FOLLOWS: COVER SECTION (4) SHELL MTD.
12. 1/2" P-36-T W/HOLE & CLEAN-OUT HOLE. LOCATE AS FOLLOWS: COVER SECTION (12) FRAME MTD.
13. X 1" COIL THRD. INSERT. LOCATE AS FOLLOWS: COVER SECTION (4) TABLE MTD.
14. 7/8" x 4 1/2" PULL IRON W/LEGS, GALV. LOCATE AS FOLLOWS: BOTTOM SECTION (6) CORE MTD.

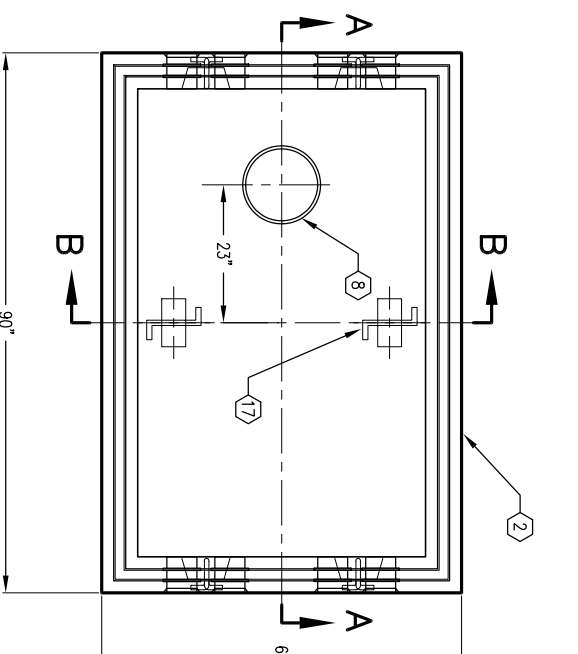
**ORDERING INFORMATION:**

K466-FH64-10T FOR ASSEMBLY AS SHOWN.  
 K466-FH76-10T FOR ASS'Y WITH 12" EXT.  
 TOTAL WEIGHT OR ASSEMBLY AS SHOWN 16,430 lbs.  
 TOTAL WEIGHT OF ASSEMBLY WITH 12" EXT. IS 18,135 lbs.

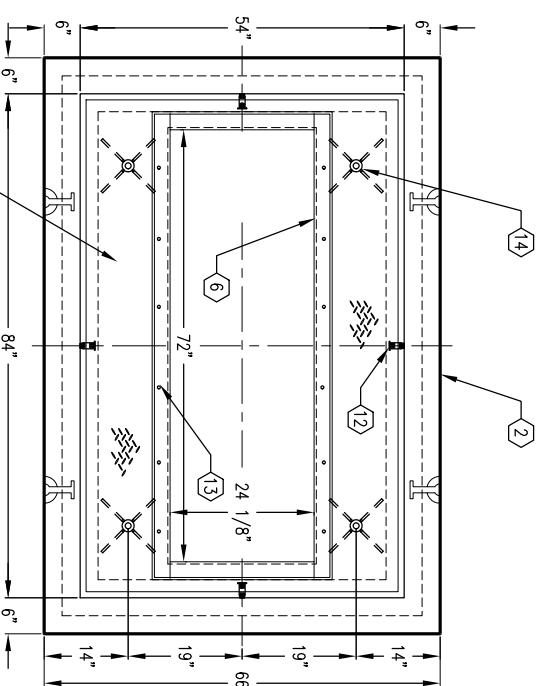


MINIMUM EXCAVATION SIZE:  
 6'-6" x 9'-0" x DEPTH REQ.

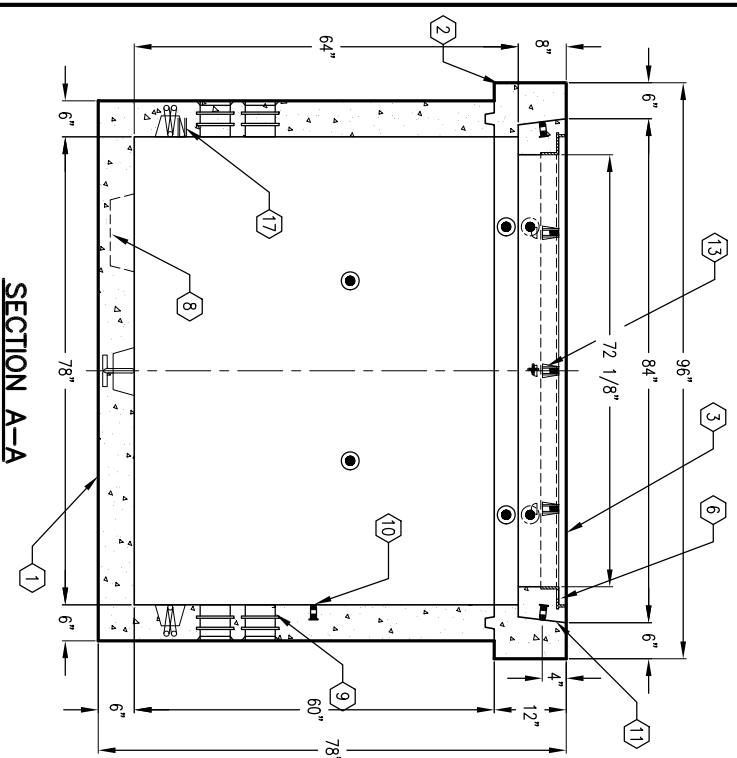
## K466-FH64-10T



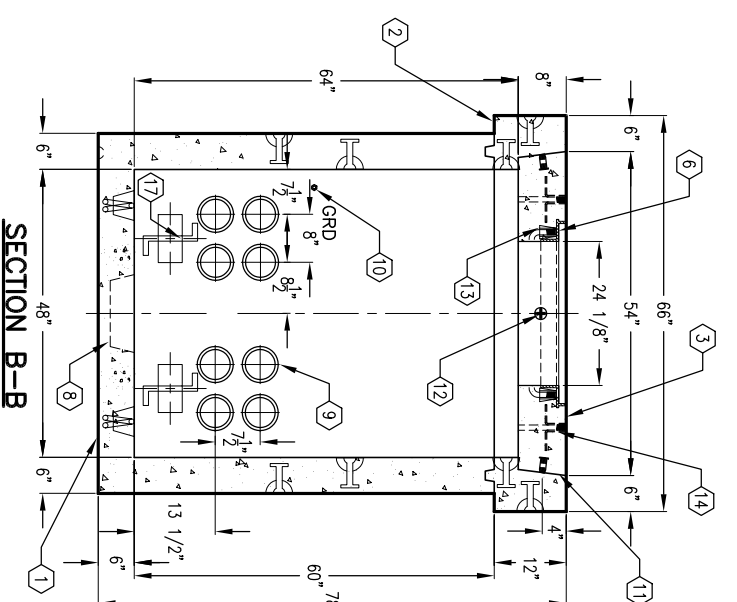
**PLAN VIEW OF HANDHOLE  
 W/O NECK & COVER**



**PLAN VIEW OF  
 NECK & COVER ONLY**



**SECTION A-A**



**SECTION B-B**

#	DATE	DESCRIPTION	BY

## K466-FH64-10T

