

3'-0" x 6'-0" SDG&E PARKWAY DUCTED PULL BOX X 48" DEEP-3314

NOTES:

- CONCRETE DESIGNED IN ACCORDANCE WITH AASHTO H-20-44 TRAFFIC BRIDGE LOADING USING 5,500 PSI [37.92MPa] COMPRESSIVE STRENGTH CONCRETE AND 60,000 PSI [413.2MPa] YIELD STRENGTH ASTM A-706 STEEL REINFORCEMENT PER CALC. #31715.
- COVER DESIGNED FOR PARKWAY LOADING PER CALCS #31428.
- PULL BOX TO BE PLACED ON A MIN. 6" BASE OF CRUSHER RUN FOR EASE OF INSTALLATION AND EVEN LOAD DISTRIBUTION.
- EXTERIOR SURFACES OF STRUCTURE(S) SHALL BE COATED WITH AN APPROVED, TRANSPARENT, WATER-PROOFING SEALER.
- ALL INTERIOR SURFACES SHALL BE PAINTED WITH ONE COAT OF FLAT LATEX WHITE PAINT.
- STRUCTURES TO BE STENCILED, "JENSEN PRECAST", WITH "TIME" AND "DATE OF POUR" AND WITH S.D.G.& E. STOCK NUMBER (SEE BELOW) ON INTERIOR AND EXTERIOR WALLS.
- 7/8" X 1 3/4" CONSEAL GASKET (45 FT. REQ'D) WILL BE SHIPPED WITH EACH PULL BOX.

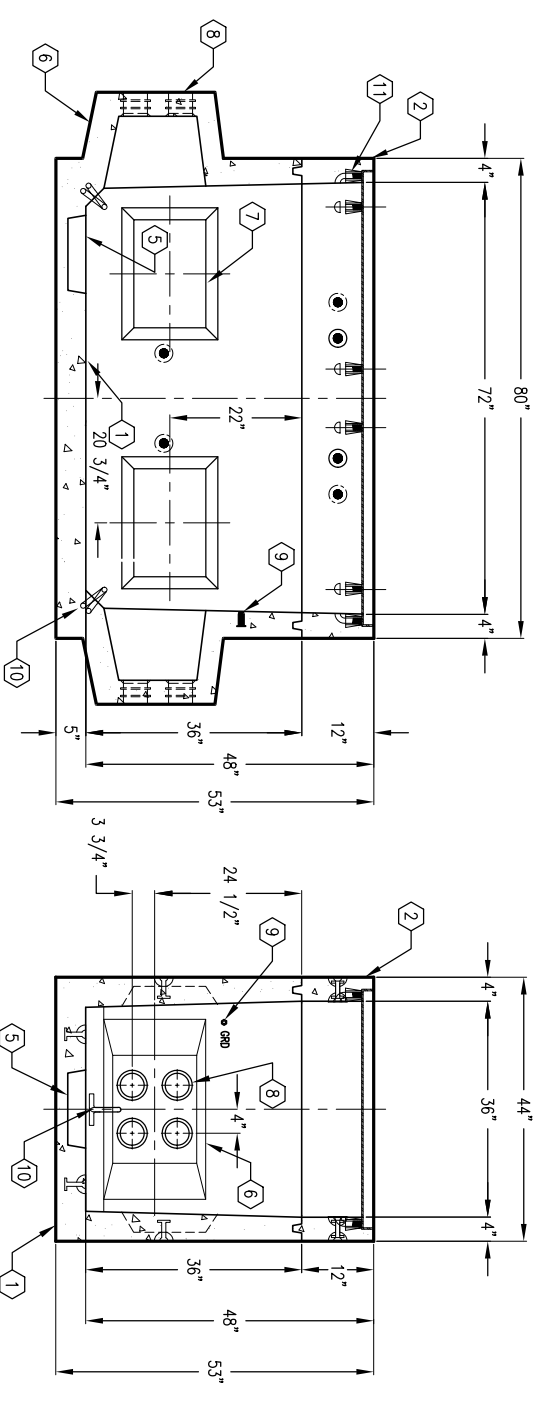
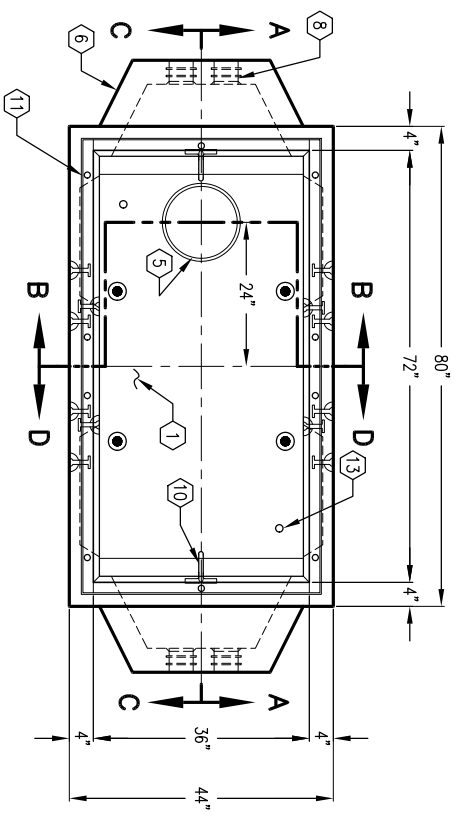
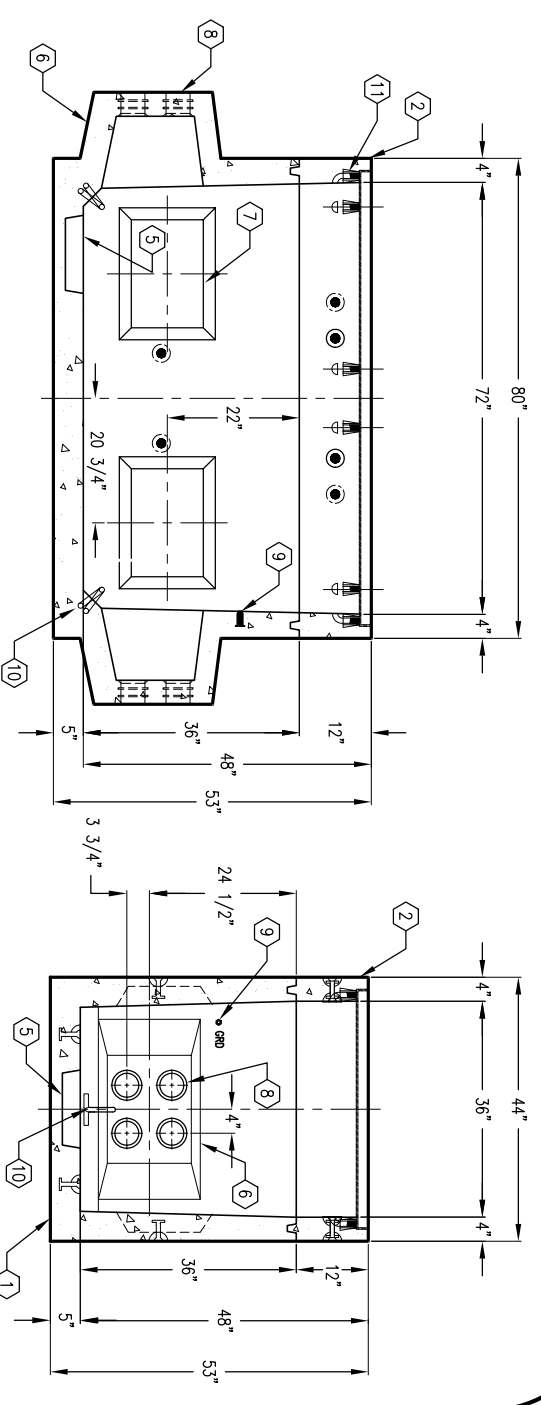
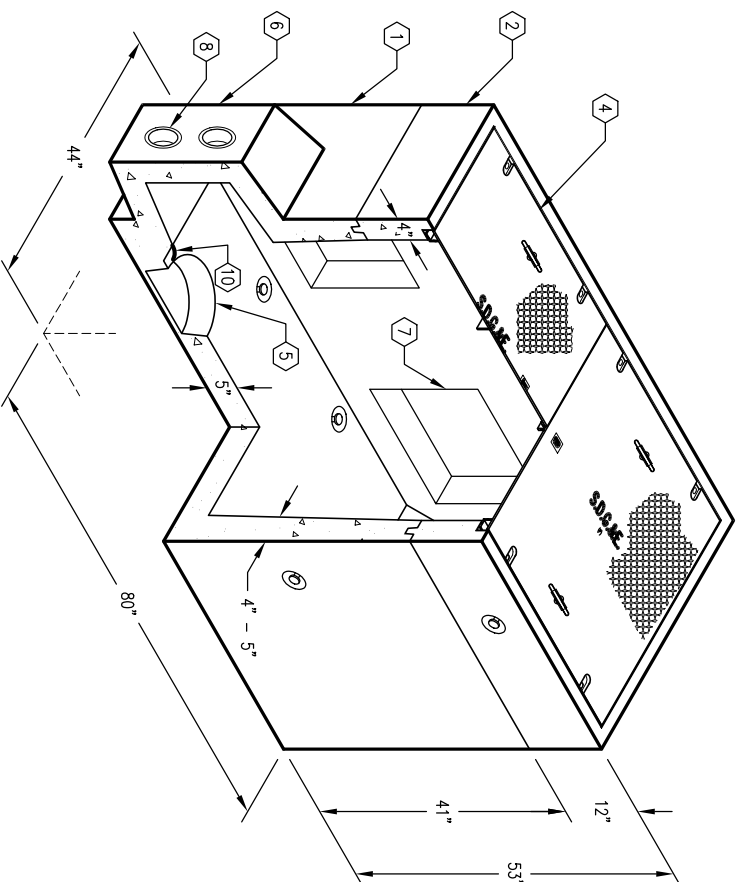
- PB3672-B36-10, 36" BOTTOM SECTION, WT. 4,415 lbs.
- PB3672-T12-10, 12" TOP SECTION, W/GALV. ANGLE FRAME (F3672-PB-ANG) CAST-IN, WT. 996 lbs.
- PB3672-R12, 12" RISER SECTION, WT. 996 lbs. (NOT SHOWN).
- PIECE STEEL GALV. PARKWAY COVER (SC3672-PGV-10) INCLUDES (4) FLUSH STAINLESS STEEL LIFT HANDLES, (8) BOLT DOWNS W/(8) 1/2"-13NC x 2 1/2" P.H.S.S. BOLTS, MARKED S.D.G. & E. J-P*, WT. 183 lbs. EA.
- 12" x 13" DIA. SUMP x 3" DEEP, BOTTOM SECTION (1) CORE MTD.
- 14" x 18" DUCTED K.O. x 12" DEEP, DRAFT AS FOLLOWS: T=1 1/2", S1=S2=6", B=1 1/2" BOTTOM SECTION (2) CORE MTD.
- 12" x 18" K.O. x 3 1/4" DEEP, DRAFT AS FOLLOWS: (2) CORE MTD.
- 2" TYP. ALL SIDES, BOTTOM SECTION (4) CORE MTD.
- 4" DIA. TERMINATORS SCH.40, BOTTOM SECTION (8) SHELL MTD.
- 1/2" DIA. BRONZE GROUND INSERT WELDED TO REIN. W/PLASTIC PLUG. MARKED "GRD" IN RED, BOTTOM SECTION (2) CORE MTD.
- 7/8" x 6" PULL IRON, GALV., BOTTOM SECTION (2) CORE MTD.
- 1/2" P-35T INSERT W/CLEAN-OUT HOLE, TOP SECTION (8) FRAME MTD.
- 1" DIA. BLIND GROUND ROD HOLE. LOCATE AS FOLLOWS: BOTTOM SECTION (2) CORE MTD.

JENSEN PART NO.	S.D.G. & E. STOCK NO.
PB3672-B36-10	162680
PB3672-T12-10	336210
PB3672-R12	336212
SC3672-PGV-10	268842
BOTTOM SECTION	
TOP SECTION	
RISER SECTION	
STEEL COVER ASSEMBLY	

ORDERING INFORMATION:

K3672-DP48-10P FOR ASSEMBLY AS SHOWN.
 APPROVED FOR S.D.G. & E. SPEC. 3314.
 TOTAL WEIGHT OF ASSEMBLY IS 5,750 lbs.

- Minimum soil bearing capacity is hereby assumed to be 2000 PSF unless otherwise documented by a geotechnical report that shall be provided to Jensen Precast by the end user. Jensen Precast shall not be held responsible for the soil bearing capacity. Installation of Manholes, Vaults, Handholes, Meter Boxes etc. will be as per Jensen installation procedures.
- Structural modification to the Jensen line of products is not permitted without prior written approval from Jensen Engineering Department. Do not scale the drawings, verify all dimensions including rough openings, if any discrepancies are found, notify the Jensen Engineer immediately.
- The Jensen Engineer will interpret the intent of the drawings in case of possible conflict or discrepancy.
- Permissible Variations: Dimensional Tolerances – The length, width, height, or dia. measurements of the structure when measured on the inside surfaces shall not deviate from design dimensions by more than the following:
 Dimensions: Tolerance:
 0 to 5 Feet 1/4"
 5 to 10 Feet 3/8"
 10 to 20 Feet as agreed upon between the supplier and purchaser.
 Squariness Tolerance: The inside of the precast concrete component shall be square as determined by diagonal measurements. The difference between such measurements shall not exceed the following:
 Measured Length: Allowable Difference
 0 to 10 Feet 1/2"
 10 to 20 Feet 3/4"
 between the supplier and purchaser.



K3672-DP48-10P



SECTION C-C

SECTION D-D

#	DATE	DESCRIPTION	BY

K3672-DP48-10P

