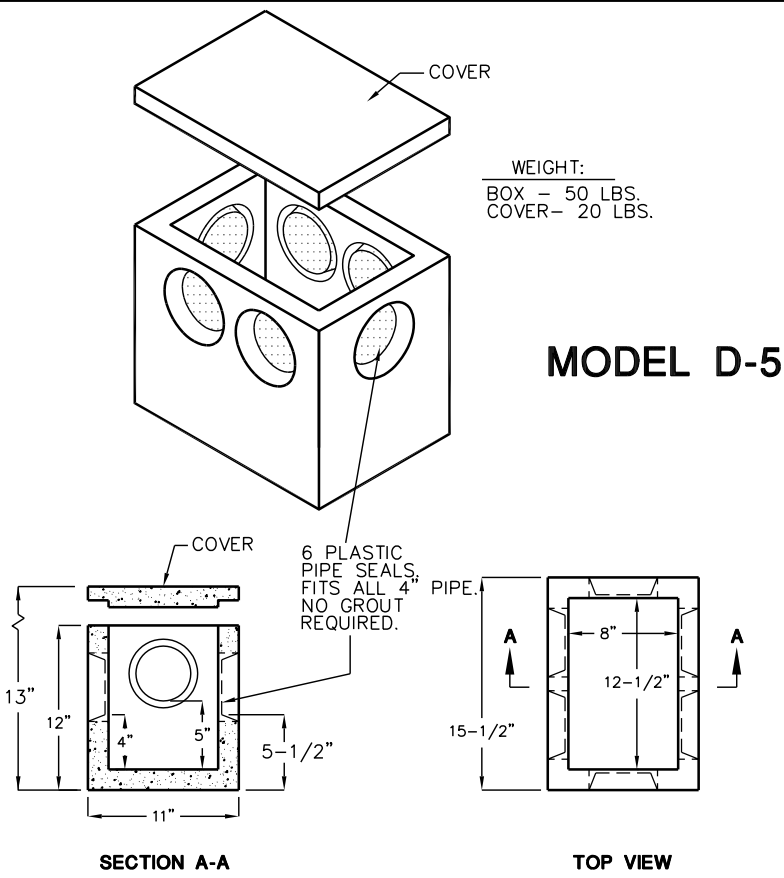
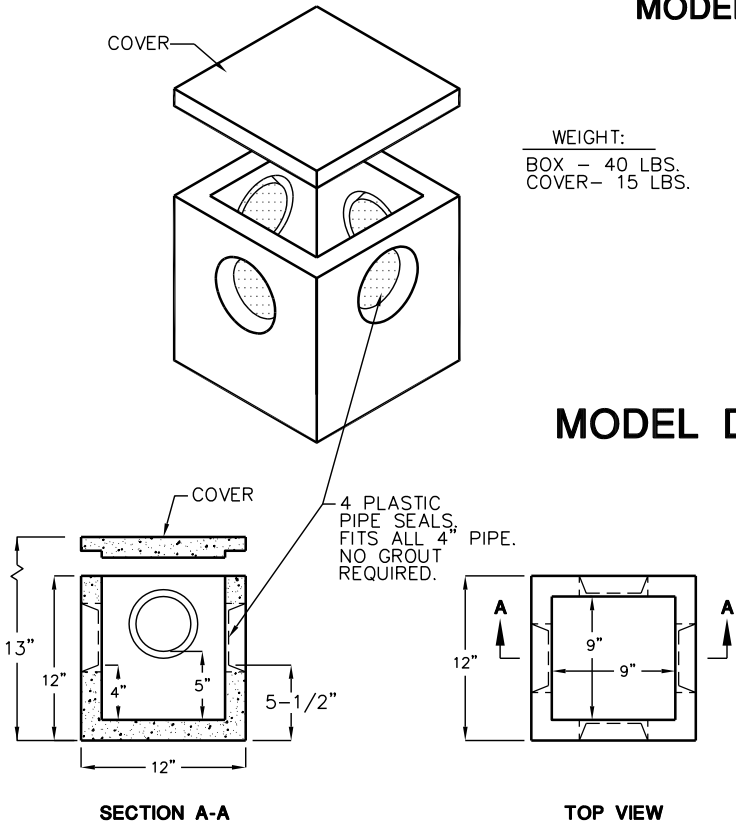


# RESIDENTIAL DISTRIBUTION BOXES

## MODEL D-3 & D-5



FOR COMPLETE DESIGN AND PRODUCT INFORMATION, CONTACT JENSEN PRECAST.

