

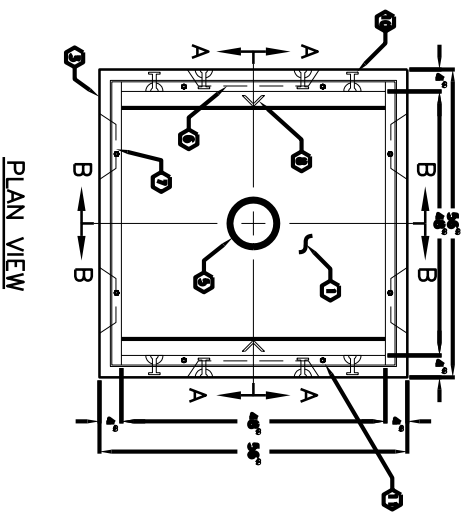
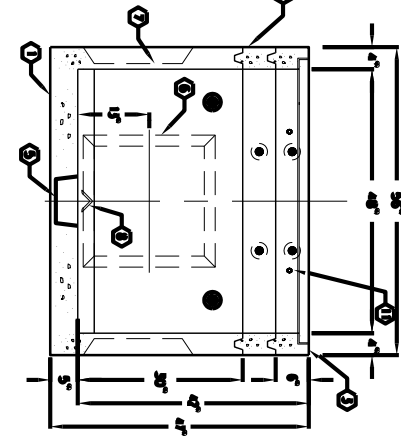
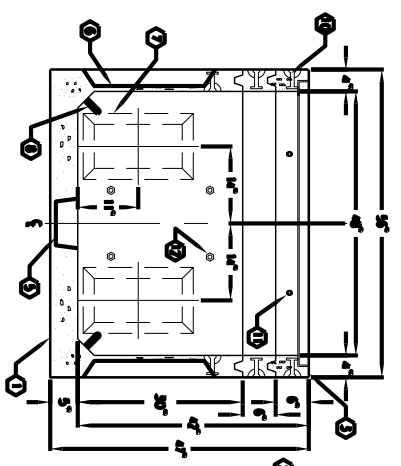
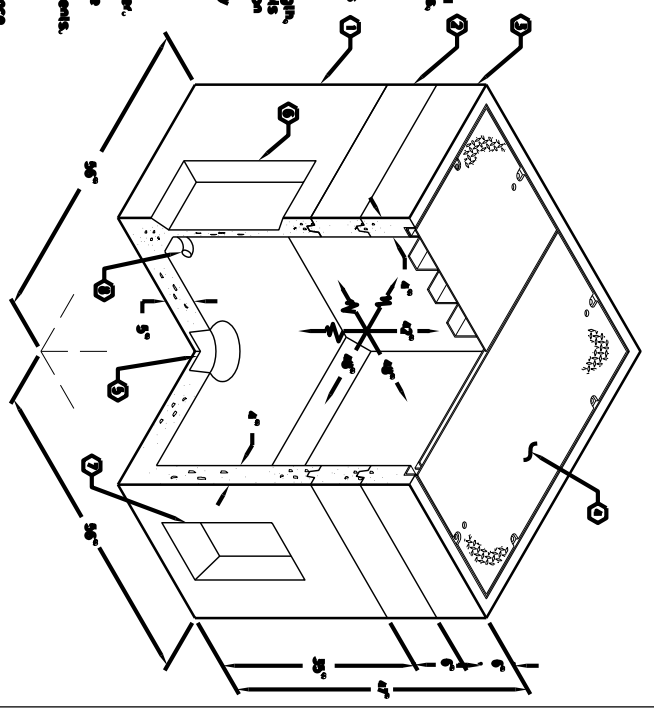
4'-0" x 4'-0" LAUSD TRAFFIC FLAT WALL PULL BOX 3'-6" DEEP

NOTES:

- 1. PULL BOX DESIGNED IN ACCORDANCE WITH ASPECTS OF THE 2000 IBC. MINIMUM SOIL BEARING CAPACITY IS ASSUMED TO BE 2000 PSF UNLESS OTHERWISE DOCUMENTED BY A GEOLOGICAL REPORT THAT SPECIFICALLY PROVIDES TO JENSEN PRECAST BY THE END USER. JENSEN PRECAST SHALL NOT BE HELD RESPONSIBLE FOR THE SOIL BEARING CAPACITY, INVESTIGATION OF MOISTURE, VIBRATION, HEAVENING, WATER BUBBLES, ETC. AS PER JENSEN INSTALLATION PROCEDURES.
- 2. Structural modification to the Jensen line of products is not permitted without prior written approval from Jensen Engineering Department.
- 3. Do not scale the drawings, verify all dimensions including rough openings. If any discrepancies are found, notify the Jensen Engineer immediately.
- 4. The Jensen Engineer will interpret the intent of the drawings in case of possible conflict or discrepancy.
- 5. Permissible Variations:
 - Dimensions Tolerances - The length, width, height, or dia. measurements of the structure when measured on the rigid surfaces shall not deviate from design dimensions by more than the following:

Dimensions:	Tolerances:
0 to 5 feet	1/8"
5 to 10 feet	3/8"
10 to 20 feet	1/2"
20 feet and over	3/4"

- 1. REBAR #4@2'-21.30" BOTTOM SECTION (B) 1000 W/L.
- 2. REBAR #6 @ 12" SECTION (B) 1219 W/L.
- 3. REBAR #4@2'-21.30" TOP SECTION (A) 1000 W/L.
- 4. SCHEDULED STEEL REINFORCED BOLI-DOORS, NOT W/L. GATE HEIGHT, W/L 521 W/L.
- 5. 6" x 9" PA. SUMP + 4" DROP W/CLAY. SUMP COVER.
- 6. LOCATE AS FOLLOWS: BOTTOM SECTION (1) CONK W/L.
- 7. 2" DIA. SUMP + 3" DROP DEPT AS FOLLOWS.
- 8. 1/2" DIA. GATE. PULL BOX. LOCATE AS FOLLOWS: BOTTOM SECTION (2) 5x11 W/L.
- 9. 1/2" DIA. GATE. PULL BOX. LOCATE AS FOLLOWS: BOTTOM SECTION (2) CONK W/L.
- 10. 1/2" DIA. GATE. PULL BOX. LOCATE AS FOLLOWS: BOTTOM SECTION (2) CONK W/L.
- 11. 1/2" DIA. GATE. PULL BOX. LOCATE AS FOLLOWS: BOTTOM SECTION (2) CONK W/L.
- 12. 1/2" DIA. GATE. PULL BOX. LOCATE AS FOLLOWS: BOTTOM SECTION (2) CONK W/L.



PLAN VIEW

MINIMUM EXCAVATION SIZE:
5'-2" x 5'-2" x DEPTH REQ'D.



K44-FP42-23T

LAUSD

03-01-02



K44-FP42-23T

LAUSD

03-01-02