

4'-0" x 7'-0" LADWP TRANSFORMER PAD AND VAULT X 3'-6" DEEP

NOTES:

- VAULT DESIGNED IN ACCORDANCE WITH AASHTO H-20-44 TRAFFIC BRIDGE LOADING USING 5,500 PSI [37.92MPa] COMPRESSIVE STRENGTH CONCRETE AT 28 DAYS AND 60,000 PSI [413.2MPa] YIELD STRENGTH ASTM A-706 STEEL REINFORCEMENT PER CALCS 30615.
- VAULT TO BE PLACED ON A MIN. 6" BASE OF GRUSHER RUN FOR EASE OF INSTALLATION AND EVEN LOAD DISTRIBUTION.
- CONCRETE MIX USED IN POURING THIS PRODUCT SHALL USE FLY ASH AS AN ADMIXTURE.
- EACH CONCRETE SECTION SHALL BE MARKED ON THE INSIDE & OUTSIDE WITH "JENSEN PRECAST" THE DESIGNATION "DWP/FA", AND THE DATE OF POUR.
- EACH CONCRETE SECTION SHALL HAVE CAST-IN ON THE INSIDE "JENSEN", THE YEAR, AND THE DESIGNATION "FA".

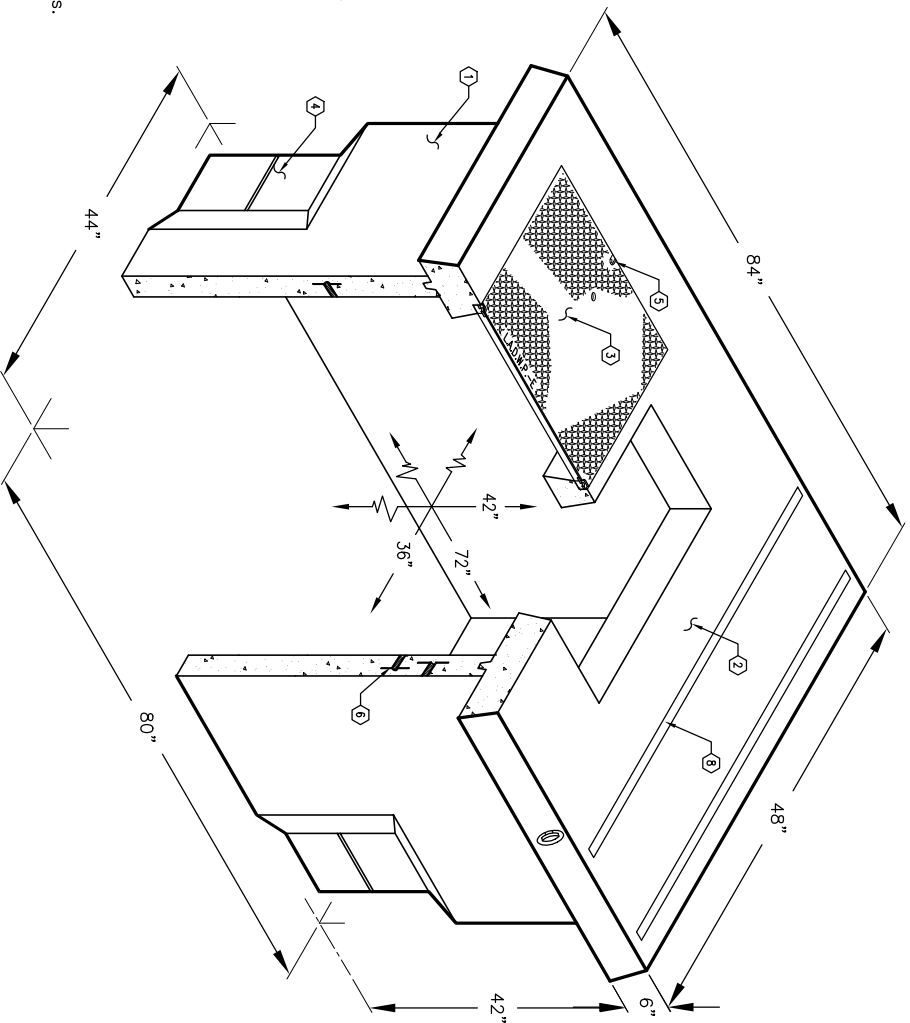
ORDERING INFORMATION:

K3672-SB42-12 FOR ASSEMBLY AS SHOWN.
 APPROVED FOR LADWP, SPEC. UB721-02, R-3
 TOTAL WT. OF ASSEMBLY 4,535 Lbs.

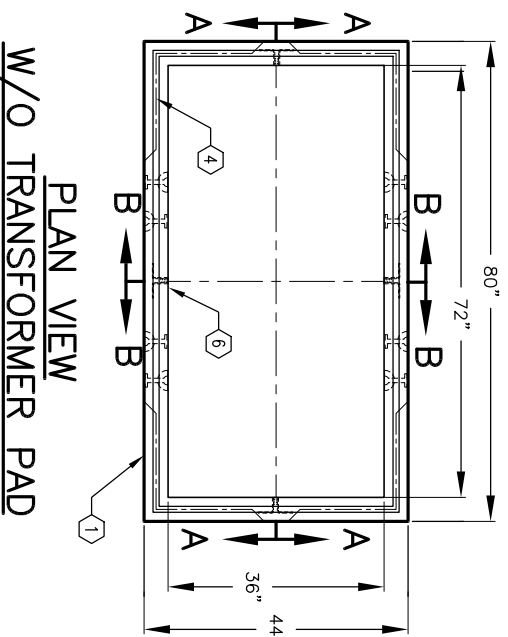
GENERAL NOTES:

1. Minimum soil bearing capacity is hereby assumed to be 2000 PSF unless otherwise documented by a geotechnical report that shall be provided to Jensen Precast by the end user. Jensen Precast shall not be held responsible for the soil bearing capacity.
2. Installation of Manholes, Vaults, Handholes, Meter Boxes etc. will be as per Jensen installation procedures.
3. Structural modification to the Jensen line of products is not permitted without prior written approval from Jensen Engineering Department.
4. Do not scale the drawings, verify all dimensions including rough openings, if any discrepancies are found, notify the Jensen Engineer immediately.
5. The Jensen Engineer will interpret the intent of the drawings in case of possible conflict or discrepancy.
6. Permissible Variations: - The length, width, height, or dia. measurements of the structure when measured on the inside surfaces shall not deviate from design dimensions by more than the following:
 Tolerance:
 0 to 5 Feet 1/4"
 5 to 10 Feet 3/8"
 10 to 20 Feet as agreed upon between the supplier and purchaser.
 Squariness Tolerance:
 The inside of the precast concrete component shall be square as determined by diagonal measurements. The difference between such measurements shall not exceed the following:
 Measured Length: Allowable Difference
 0 to 10 Feet 1/2"
 10 to 20 Feet 3/4"
 20 Feet and over as agreed upon between the supplier and purchaser.
- 7.

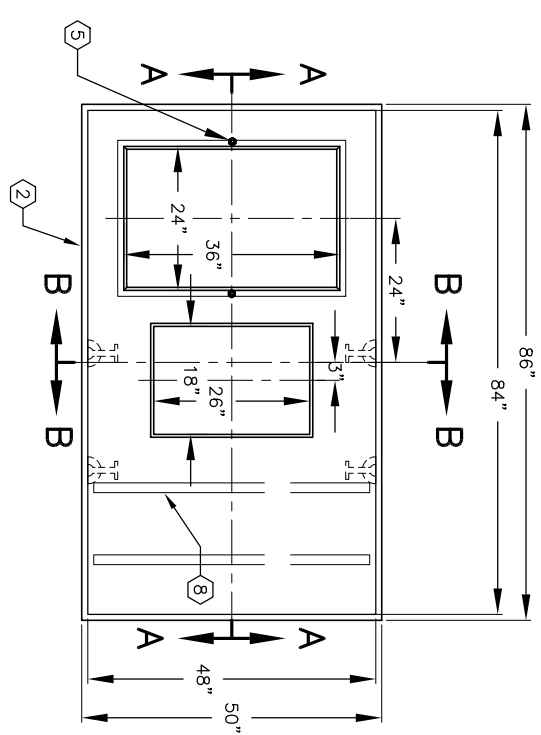
1. SB3672-L42-12, 42" LOWER SECTION, WT. 3,070 Lbs.
2. PD4884-T6-12, 6" TRANSFORMER PAD, WITH RECESS FOR COVER, WT. 1,393 LBS.
3. SC2436-PBA12, SINGLE PIECE COVER w/(4) 1/2" x 1 1/2" S.S. PENTA-HEAD BOLTS w/ CAPTIVE WASHERS.
4. 16" x 16" CORNER KNOCKOUT x 2" DEEP, DRAFT AS FOLLOWS: T=2", S1=2", S2=2", B=0. LOCATE AS FOLLOWS: LOWER SECTION (4) SHELL MID.
5. 1/2" P-35-TB INSERT W/CLEAN-OUTS LOCATE AS FOLLOWS: TRANSFORMER PAD (6) TABLE MID.
6. 1" COIL THRD. INSERT, LOCATE AS FOLLOWS: LOWER SECTION, (6) CORE MID.
8. 1 5/8" x 1 5/8" x 12 GA. STRUT x 46" LONG (UNISTRUT P3200 SERIES) (2 REQ'D).



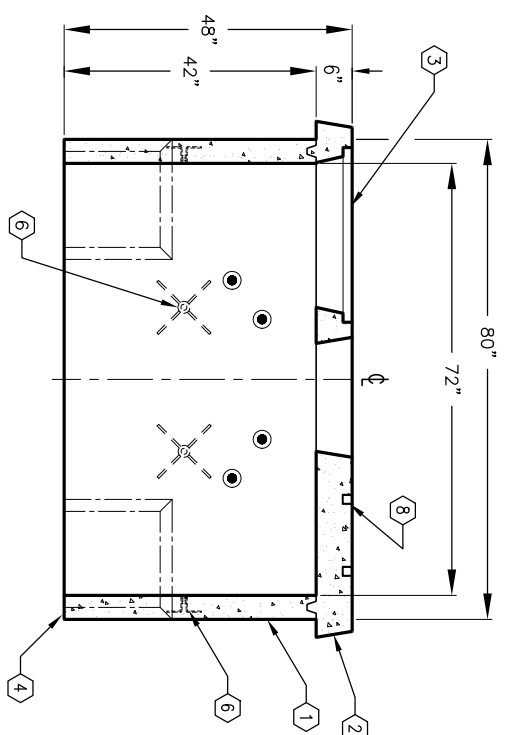
MINIMUM EXCAVATION SIZE:
 4'-8" x 6'-8" x DEPTH REQ'D.



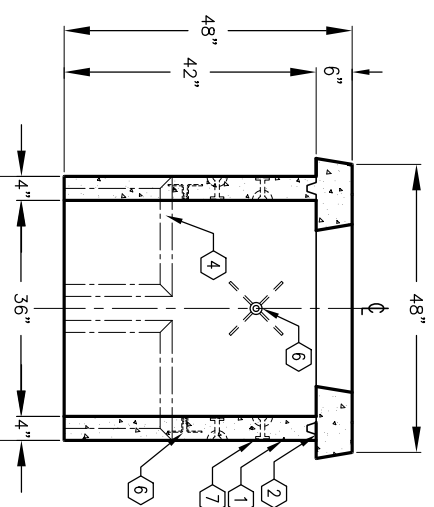
PLAN VIEW
 W/O TRANSFORMER PAD



PLAN VIEW OF TRANSFORMER PAD



SECTION A-A



SECTION B-B



AUTOCAD REL. 14

K3672-SB42-12

PER LADWP, SPEC. UB 721-02, R-3

03-01-02



#	DATE	DESCRIPTION	BY

K3672-SB42-12

PER LADWP, SPEC. UB 721-02, R-3

03-01-02