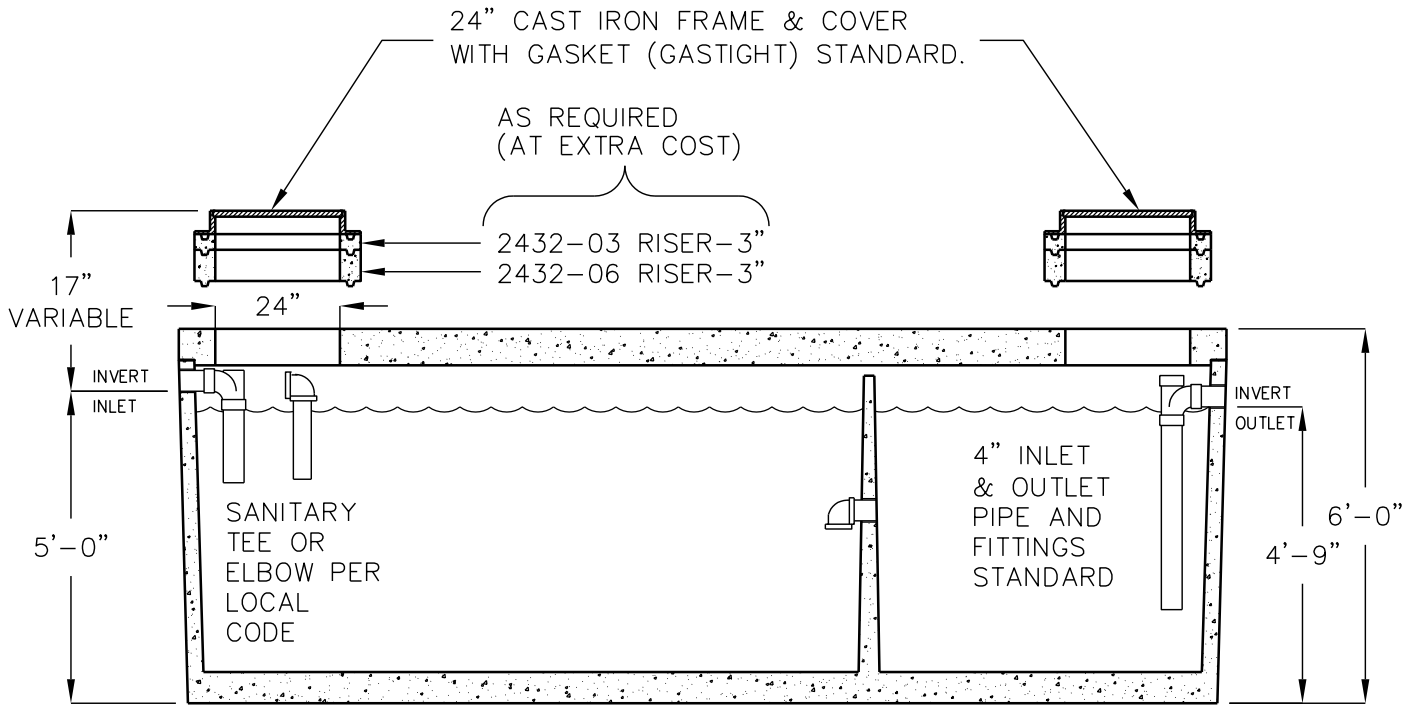


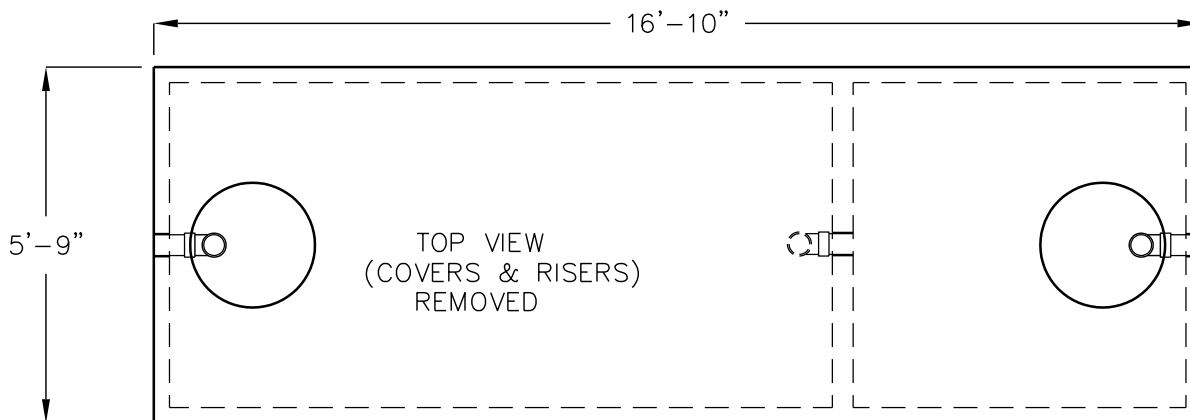
# 2500 GALLON SAND-OIL INTERCEPTOR

MODEL JZ2500EE-SO

ACCEPTED BY UPC®



SIDE VIEW (CUT AWAY)



LIQUID CAPACITY: 2,500 GALLONS.

BOX DESIGN LOAD: H-20 TRAFFIC FROM 1' TO 5' OF SOIL COVER.

FOR COMPLETE DESIGN AND PRODUCT INFORMATION CONTACT JENSEN PRECAST.