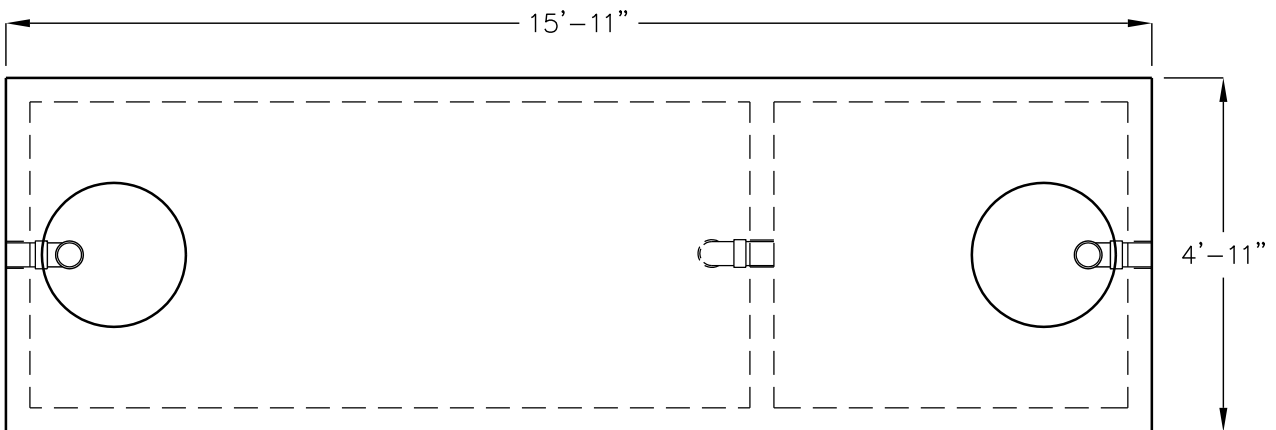
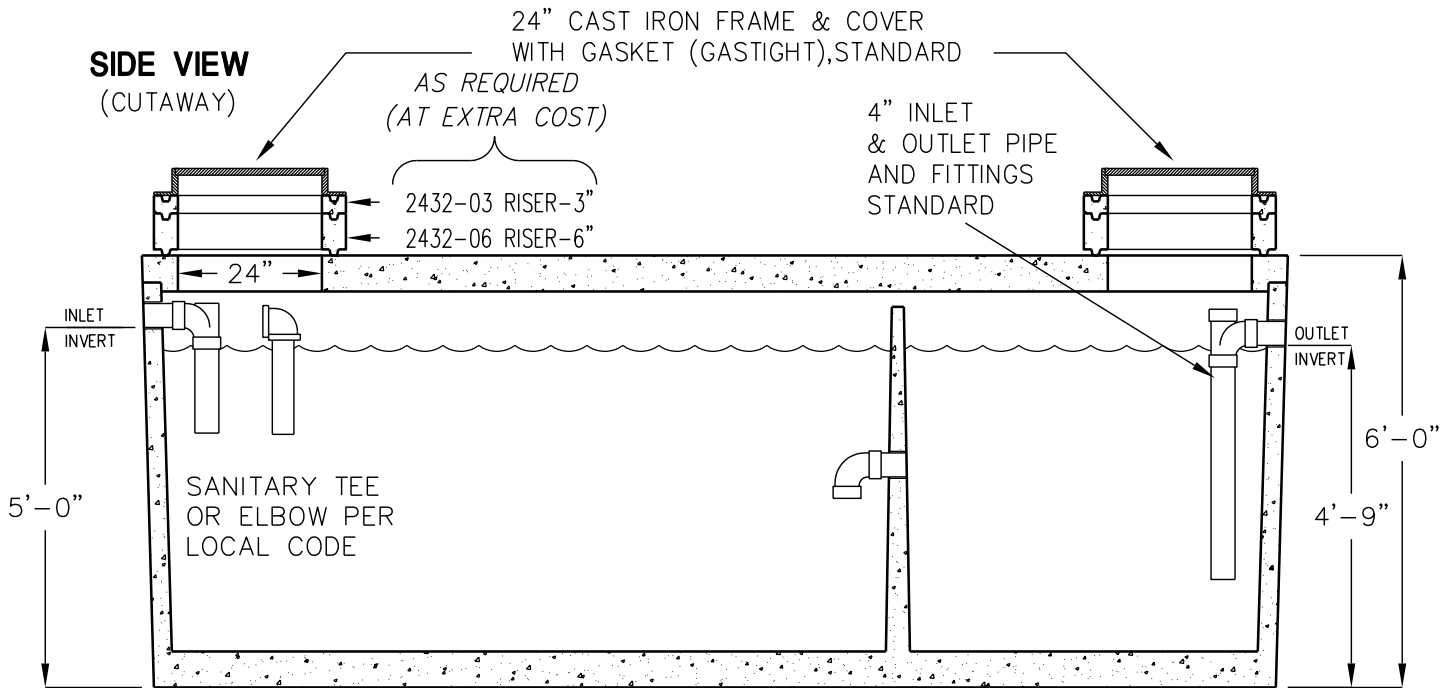


# 2000 GALLON SAND-OIL INTERCEPTOR

MODEL JP2000EE-SO  
ACCEPTED BY UPC®



**TOP VIEW**  
(COVERS REMOVED)

LIQUID CAPACITY: 2,000 GALLONS.

BOX DESIGN LOAD: H-20 TRAFFIC FROM 1' TO 6' OF SOIL COVER.

FOR COMPLETE DESIGN AND PRODUCT INFORMATION CONTACT JENSEN PRECAST.