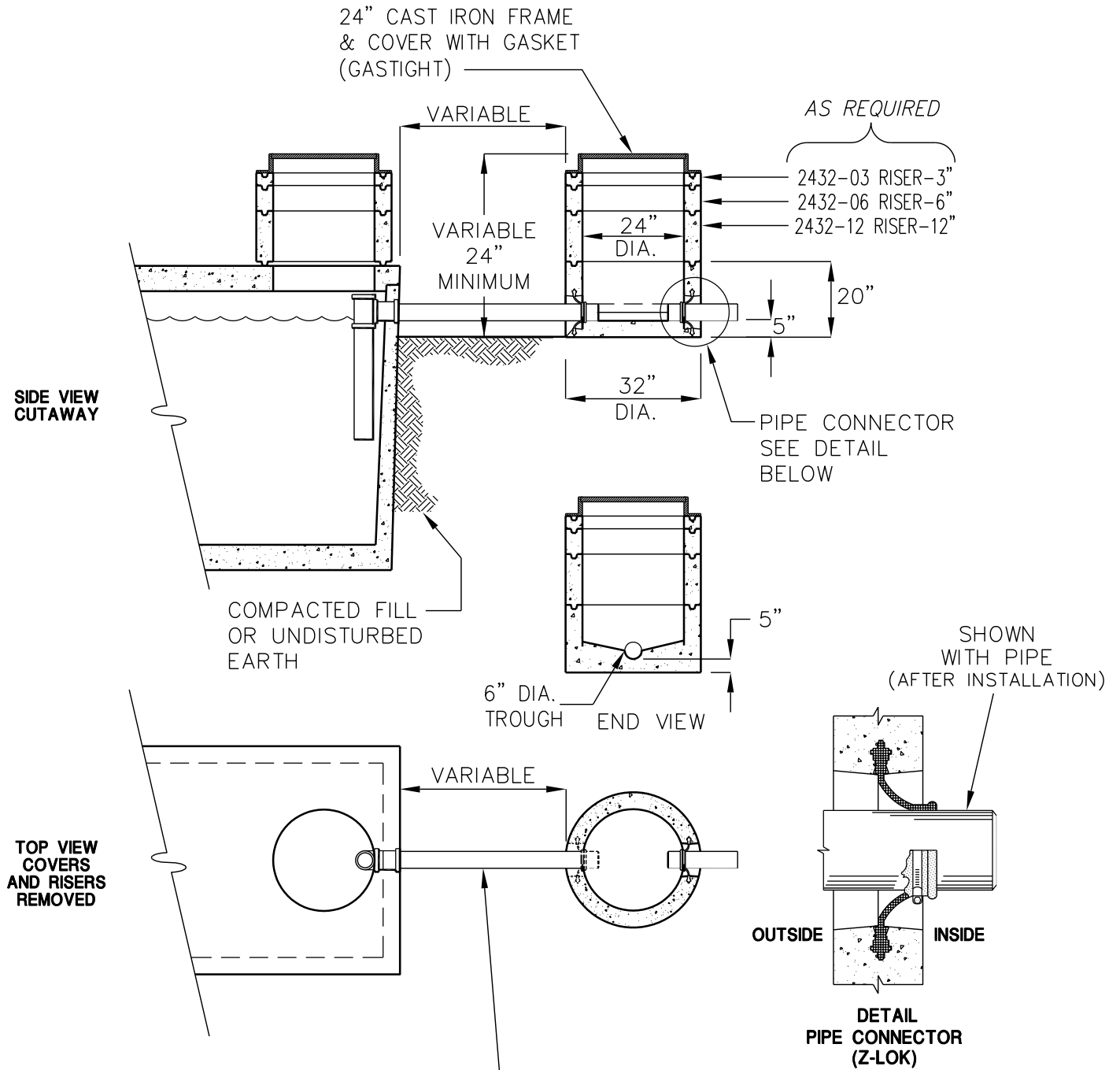


SAMPLE BOX WITH PIPE CONNECTORS

MODEL EV200-H



BOX WEIGHT: 1350 LBS.
 BOX DESIGN LOAD: H-20 TRAFFIC

SAMPLE BOX MUST BE PLACED ON SUITABLE BASE OF COMPACTED SOIL OR UNDISTURBED EARTH IN TRAFFIC CONDITION. FOR COMPLETE DESIGN AND PRODUCT INFORMATION, CONTACT JENSEN PRECAST.

PLUMBING BETWEEN TANK & BOX SUPPLIED & INSTALLED BY CONTRACTOR