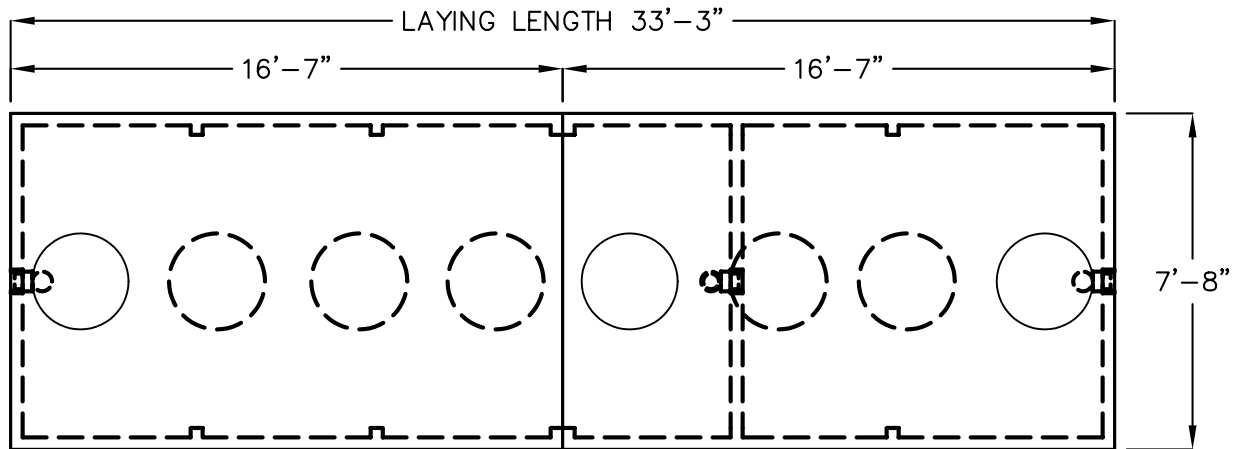
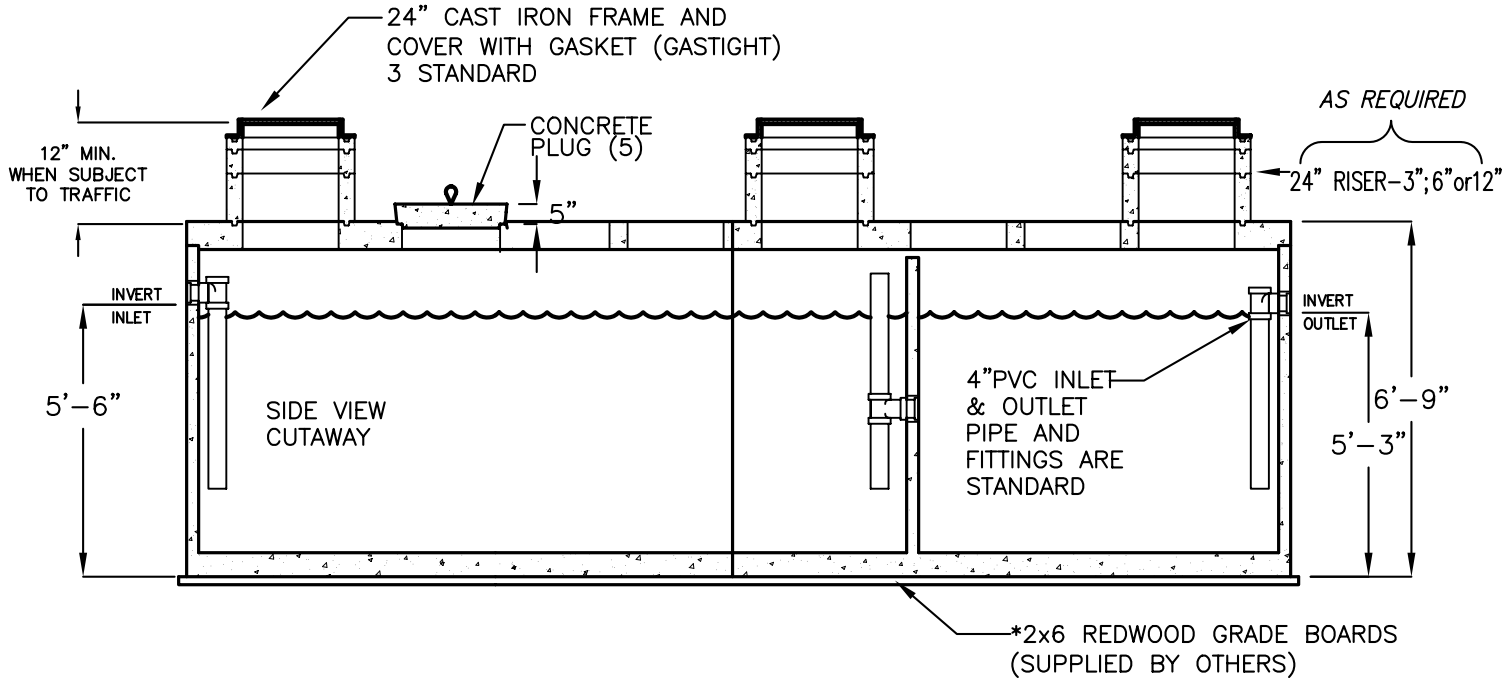


# 8000 GALLON BATTERY GREASE INTERCEPTOR MODEL 2XJZ4000-G TRAFFIC RATED



○ = COVER LOCATIONS (3)    ○ (dashed) = CONCRETE PLUGS (5)

**TOP VIEW**  
(COVERS REMOVED)

LIQUID CAPACITY: 8,000 GALLONS.

- TANK DESIGNED FOR H-20 TRAFFIC WHEEL LOAD WITH DRY SOIL CONDITIONS (WATER TABLE BELOW TANK) & EARTH COVER OVER TANK NOT TO EXCEED 5 FT.
- SUITABLE NATIVE OR SUB-BASE SHALL BE PREPARED TO HANDLE ANTICIPATED LOADS. THE EXCAVATION SHALL BE BEDDED WITH SUITABLE GRANULAR MATERIAL AND SHALL BE COMPACTED TO 90% MAXIMUM DRY DENSITY, OR TO REQUIREMENTS OF THE PROJECT GEOTECHNICAL ENGINEER.
- FOR COMPLETE DESIGN AND PRODUCT INFORMATION CONTACT JENSEN PRECAST.

MINIMUM EXCAVATION SIZE:  
8'-8" X 34'-3" X DEPTH REQ'D.