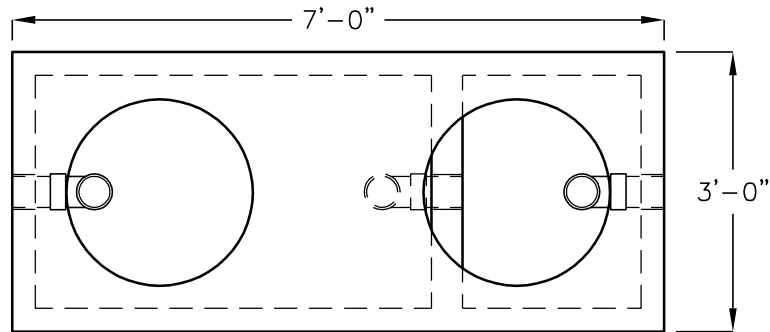
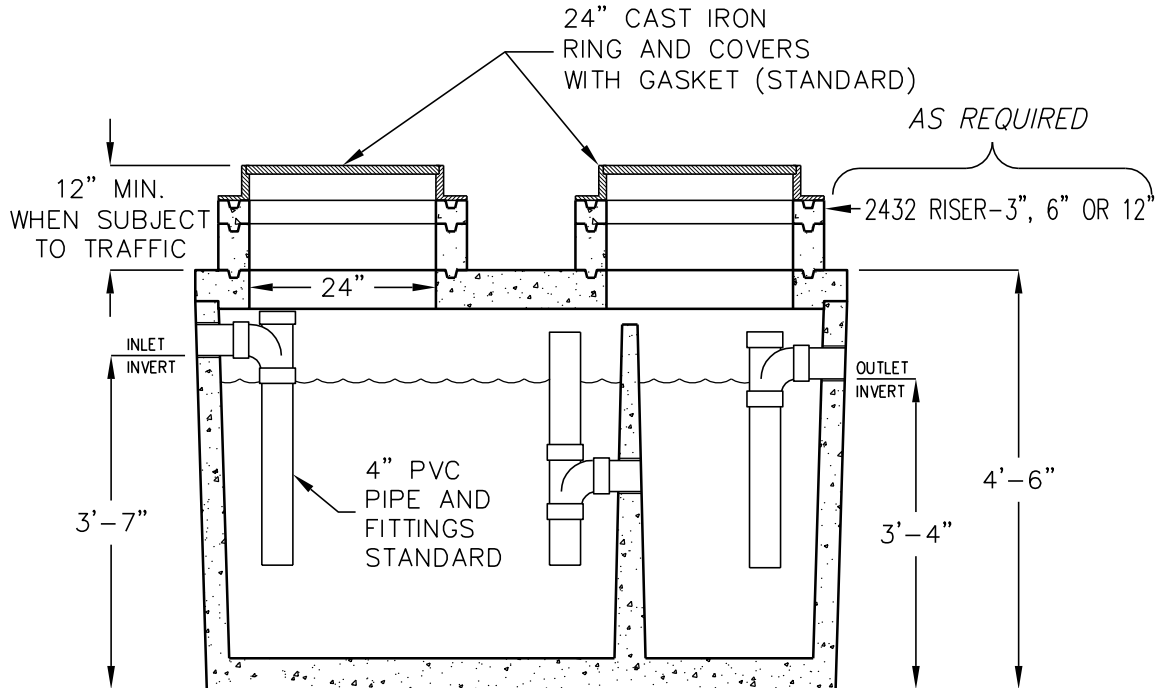


320 GALLON GREASE INTERCEPTOR

MODEL JP320G
TRAFFIC RATED LISTED BY UPC®



PLAN VIEW (COVERS & RISERS REMOVED)



SIDE SECTION VIEW

OPERATING CAPACITY: 320 GALLONS.

DESIGN LOAD: H-20 TRAFFIC WITH DRY SOIL CONDITIONS (WATER LEVEL BELOW TANK)
AND 1'-6' EARTH COVER.

SUITABLE SUB-BASE BEDDED WITH GRANULAR MATERIAL SHALL BE PREPARED TO HANDLE
ANTICIPATED LOADS.

FOR COMPLETE DESIGN AND PRODUCT INFORMATION
CONTACT JENSEN PRECAST.

MINIMUM EXCAVATION
4'-0" x 8'-0"
x REQ'D DEPTH