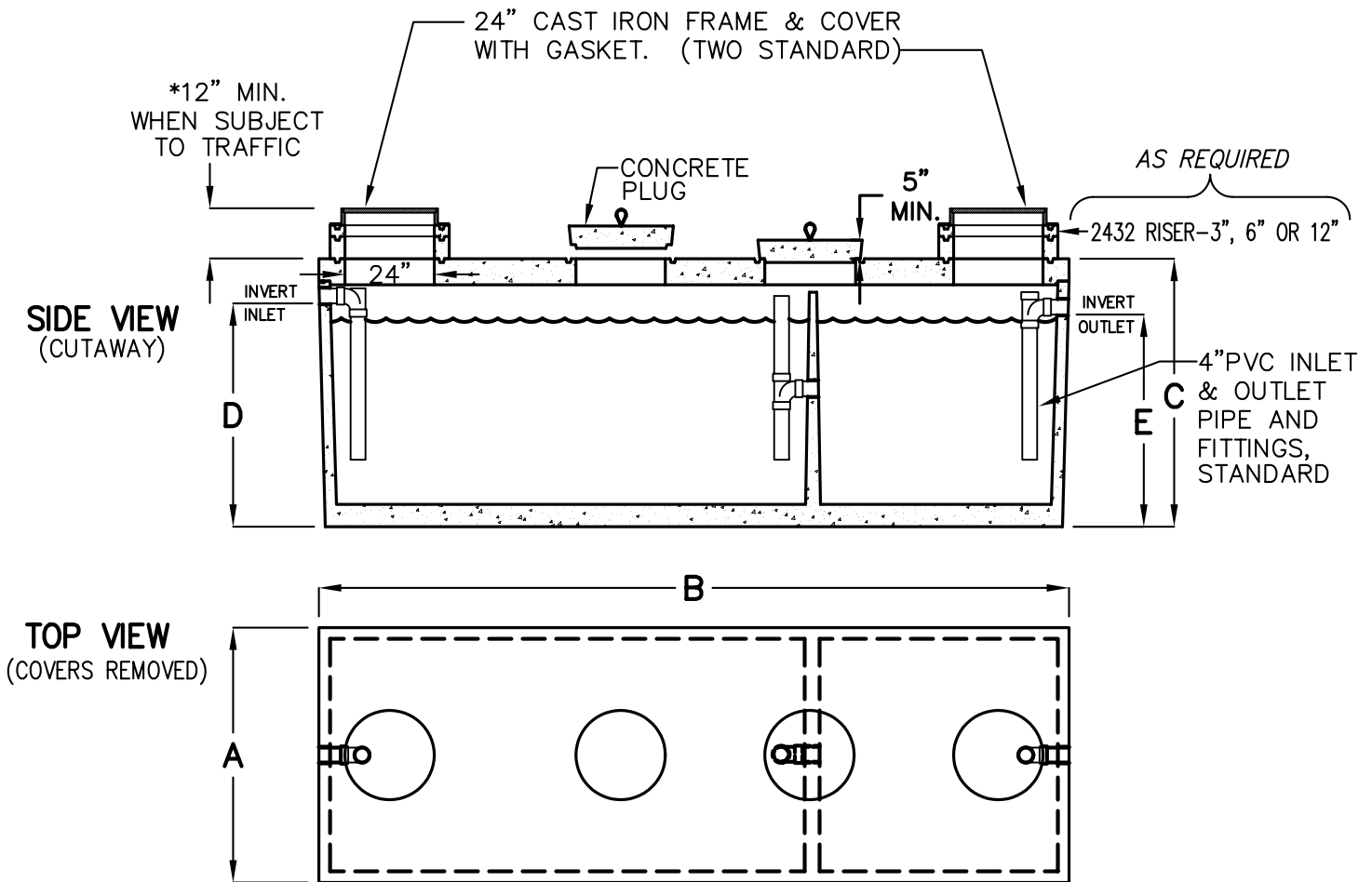


2000-5000 GALLON GREASE INTERCEPTORS

TRAFFIC RATED ACCEPTED BY UPC.



MODEL NUMBER	LIQUID CAPACITY-GALLONS	WIDTH 'A'	OVERALL LENGTH 'B'	TANK HEIGHT 'C'	INLET 'D'	OUTLET 'E'	MINIMUM EXCAVATION WIDTH	MINIMUM EXCAVATION LENGTH	*DEPTH OF BURY	MAX. LIFT WEIGHT
KJP2000G	2000	4'-11"	15'-11"	6'-0"	5'-0"	4'-9"	5'-11"	16'-11"	6' MAX.	19,200
KJZ2500G	2500	5'-9"	16'-10"	6'-0"	5'-0"	4'-9"	6'-9"	17'-10"	5' MAX.	22,700
KJZ3000G	3000	5'-9"	16'-10"	6'-9"	5'-9"	5'-6"	6'-9"	17'-10"	5' MAX.	24,000
KJZ4000G	4000	7'-8"	16'-7"	6'-9"	5'-6"	5'-3"	8'-8"	17'-7"	5' MAX.	22,100
KJZ5000G	5000	7'-8"	16'-7"	7'-11"	6'-9"	6'-6"	8'-8"	17'-7"	4' MAX.	24,100

- TANK DESIGNED FOR H-20 TRAFFIC WHEEL LOAD WITH DRY SOIL CONDITIONS (WATER TABLE BELOW TANK).
- SUITABLE NATIVE OR SUB-BASE SHALL BE PREPARED TO HANDLE ANTICIPATED LOADS. THE EXCAVATION SHALL BE BEDDED WITH SUITABLE GRANULAR MATERIAL AND SHALL BE COMPACTED TO 90% MAXIMUM DRY DENSITY, OR TO REQUIREMENTS OF THE PROJECT GEOTECHNICAL ENGINEER.
- FOR COMPLETE DESIGN AND PRODUCT INFORMATION CONTACT JENSEN PRECAST.

THE DESIGN AND DETAIL OF THIS DRAWING ARE THE PROPERTY OF JENSEN PRECAST AND NOT TO BE USED EXCEPT IN CONNECTION WITH ITS OWN WORK. DESIGN AND INVENTION RIGHTS ARE RESERVED.