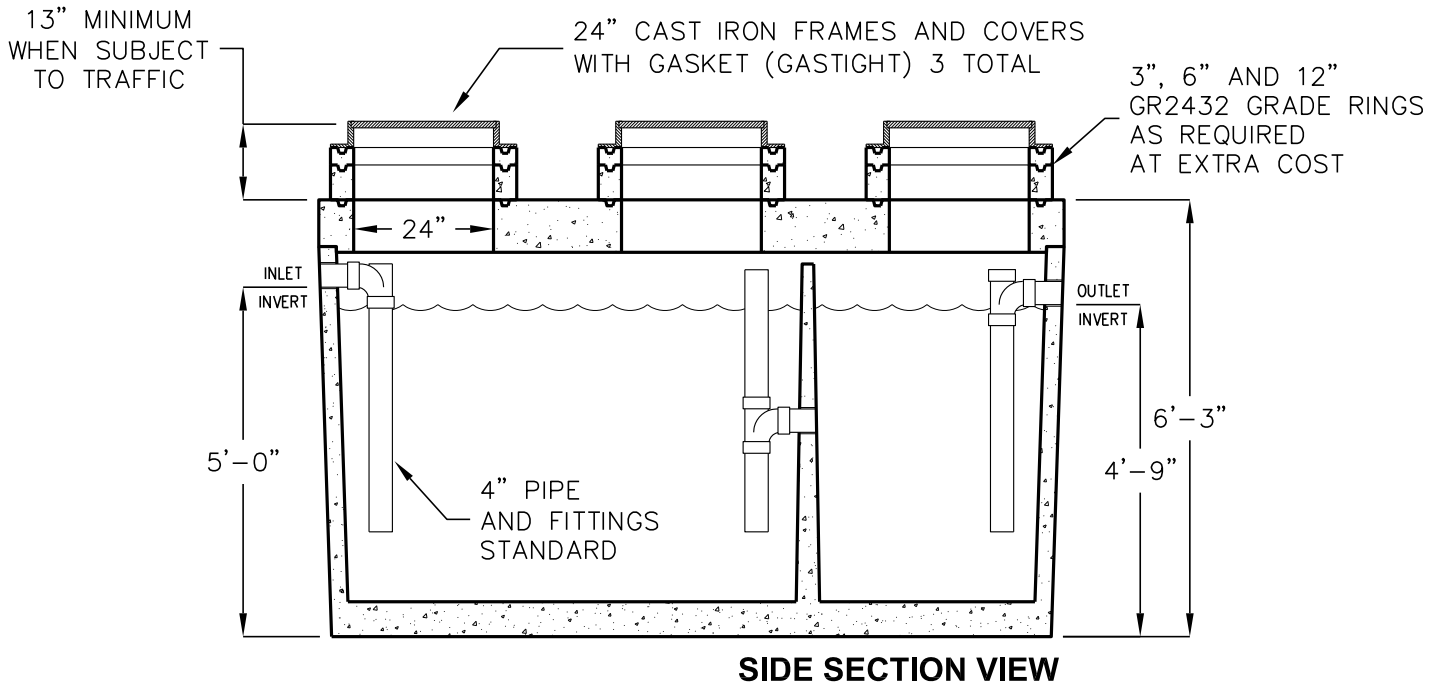
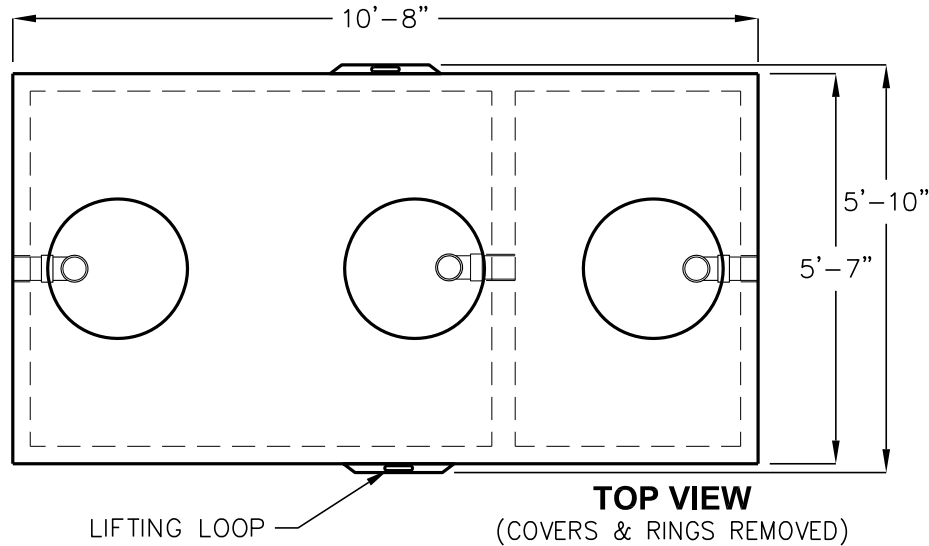


1500 GALLON GREASE INTERCEPTOR

MODEL JP1500ECE-G
LISTED BY UPC®

CITY OF SAN DIEGO (FEWD)



OPERATING CAPACITY: 1,500 GALLONS.
(1,500 OR LARGER TANKS ARE REQUIRED BY THE CITY OF SAN DIEGO.)

DESIGN LOAD: H-20 TRAFFIC WITH DRY SOIL CONDITIONS
(WATER LEVEL BELOW TANK) AND 13 INCHES TO 6 FEET EARTH COVER.

SUITABLE SUB-BASE BEDDED WITH GRANULAR MATERIAL SHALL BE PREPARED TO HANDLE ANTICIPATED LOADS.

FOR COMPLETE DESIGN AND PRODUCT INFORMATION CONTACT JENSEN PRECAST.

MINIMUM EXCAVATION 6'-10" x 11'-8" x REQ'D DEPTH
