

6'-0" x 6'-0" SCG PKW BOTTOMLESS HANDHOLE (76-9428) x 60" DEEP

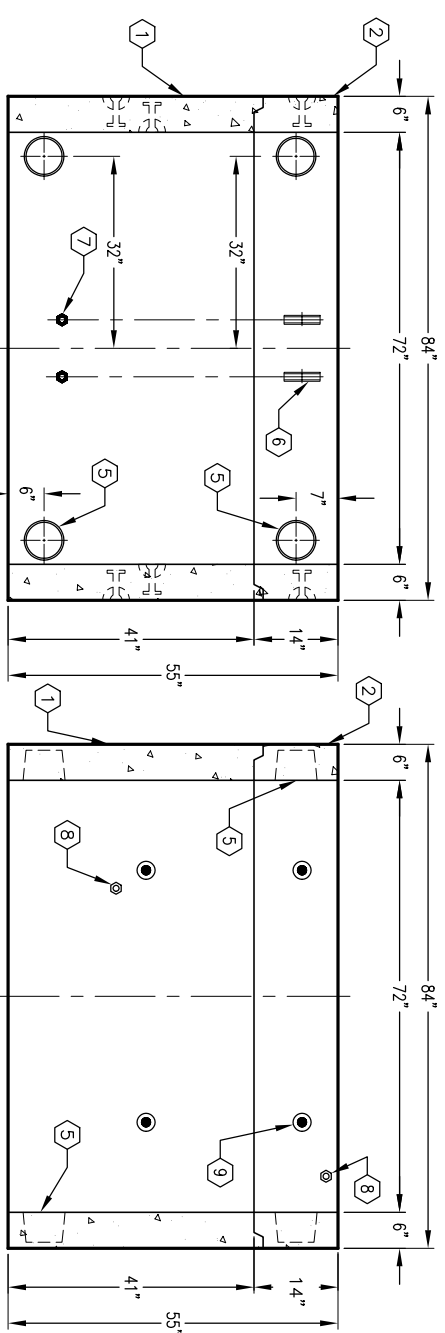
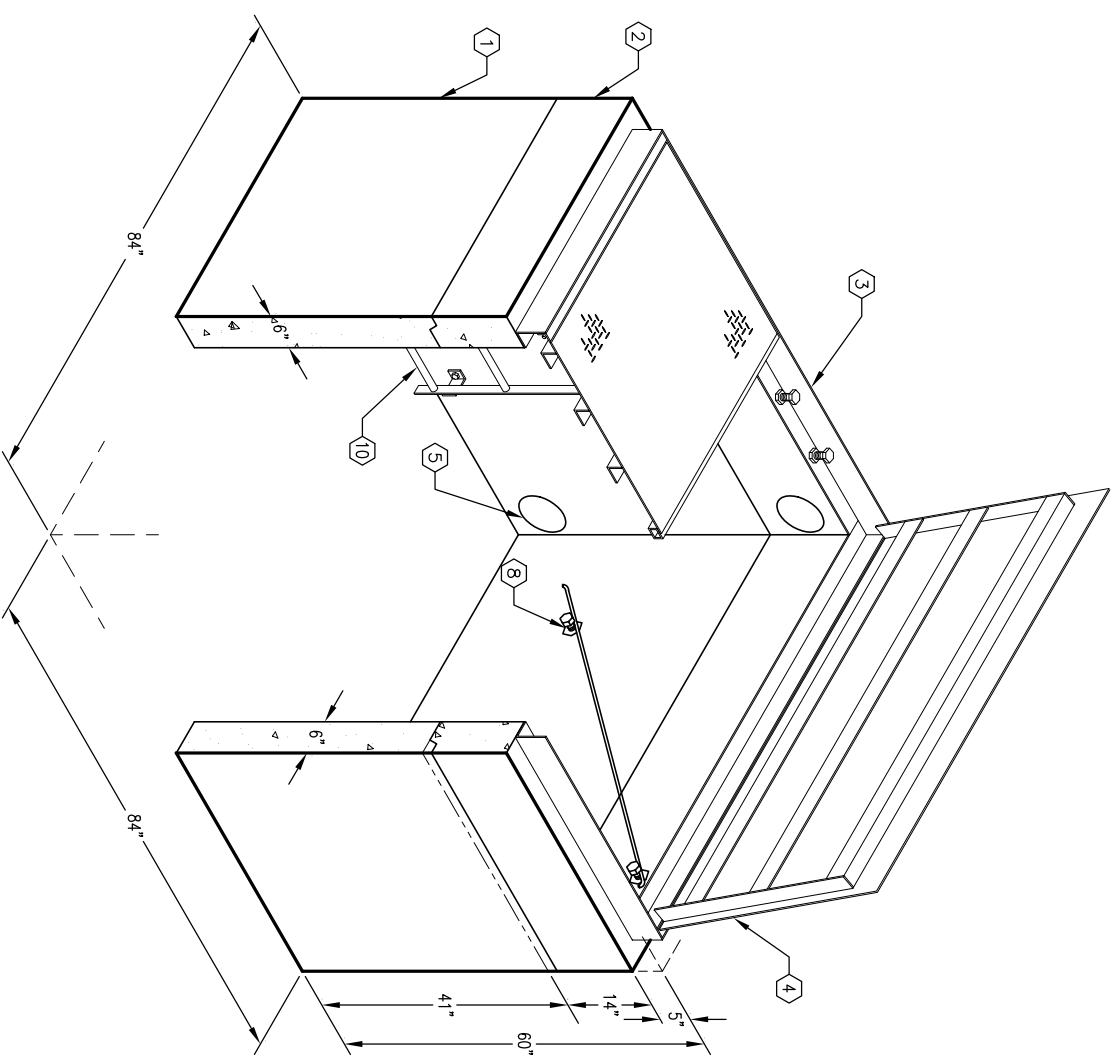
NOTES:

- HANDHOLE DESIGNED IN ACCORDANCE WITH AASHTO H-20-44 TRAFFIC BRIDGE LOADING USING 5,500 PSI COMPRESSIVE STRENGTH CONCRETE AND 60,000 PSI YIELD STRENGTH ASTM A-706 STEEL REINFORCEMENT PER CALCS. #31170.
- COVER DESIGNED FOR PARKWAY LOADING PER CALC. #31178.
- SEE CALC. #31174 AND DRAWING NUMBER 660-184 FOR TRAFFIC APPLICATIONS.
- HANDHOLE BOX TO BE PLACED ON A MIN. 6" BASE OF CRUSHER RUN FOR EASE OF INSTALLATION AND EVEN LOAD DISTRIBUTION.
- (4) 1/2" x 2 1/2" HEX HEAD BOLTS INSTALLED IN 1/2" INSERTS FOR GUARD BAR STORAGE AS SHOWN IN DRAWING.

1. PB66-142-15M, 42" INTERMEDIATE SECTION, WT. 6,844#.
2. PB66-114-15, 14" TOP SECTION, WT. 2,254#.
3. 5" SPRING ASSISTED ADJUSTABLE FRAME (F66-PB-GAS), WT. 303#.
4. C66-POSRA 2 PIECE SPRING ASSISTED PARKWAY COVER SC66-PSRGV-15 W/(2) CAMLOCKS, (2) LIFT HANDLES, (1) 1/2" ALLENHEAD BUTTON CAP SCREW, (2) GUARD BARS (NOT GALV.), GALV. ASSY. WT. 704#.
5. 6" x 7" DIA. K.O. x 5" DEEP, INT. SECTION (4) CORE MTD.
6. CORE MTD.; TOP SECTION (4) CORE MTD.
7. 1 5/8" x 1 5/8" GALV. UNISTRUT x 6" LONG, TOP SECTION (2) CORE MTD.
8. SECTION (8) PALLET MTD.
9. 1/2" P-35-T INSERT, INT. SECTION (2) CORE MTD.; TOP SECTION (2) CORE MTD.
10. GALV. LADDER x 54 1/2" LONG, W/TELESCOPIC LADDER GUIDES (SL-15-48).

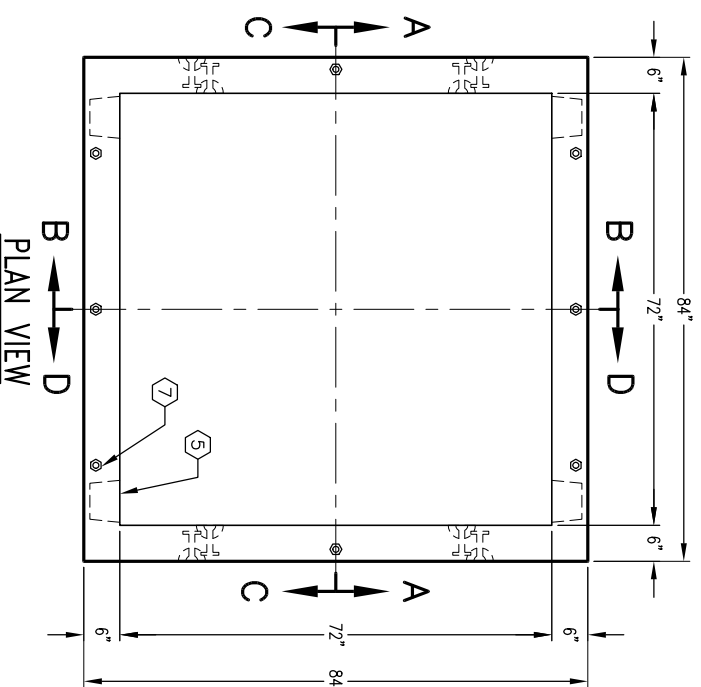
ORDERING INFORMATION:

K66-FH60-15P FOR ASSEMBLY AS SHOWN,
 APPROVED FOR SO. CALIF. GAS CO. I.D. #76-9428
 TOTAL WEIGHT OF ASSEMBLY SHOWN IS 10,105#.

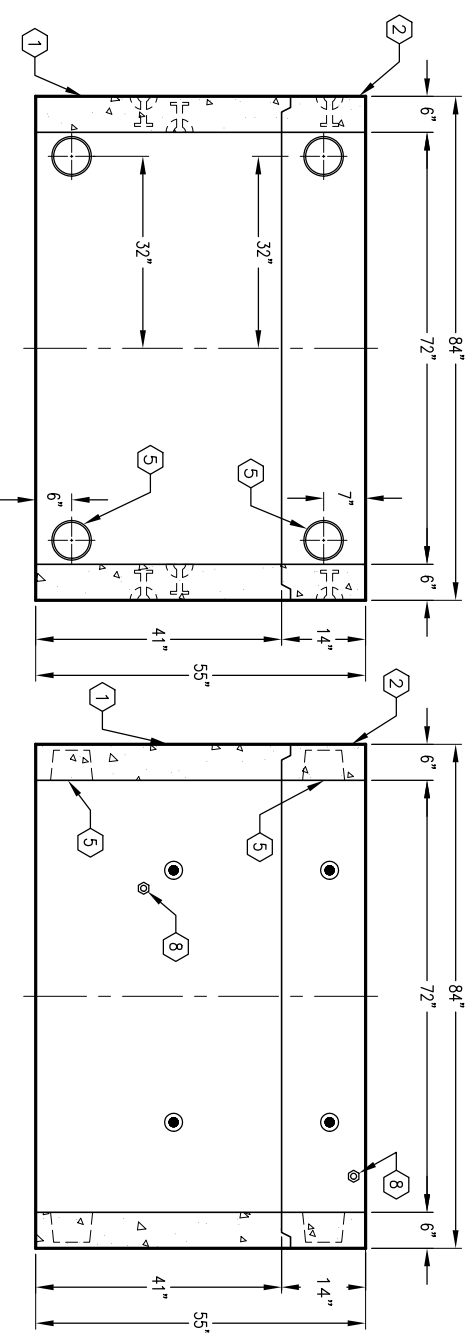


SECTION A-A

SECTION B-B



PLAN VIEW



SECTION C-C

SECTION D-D

#	DATE	DESCRIPTION	BY