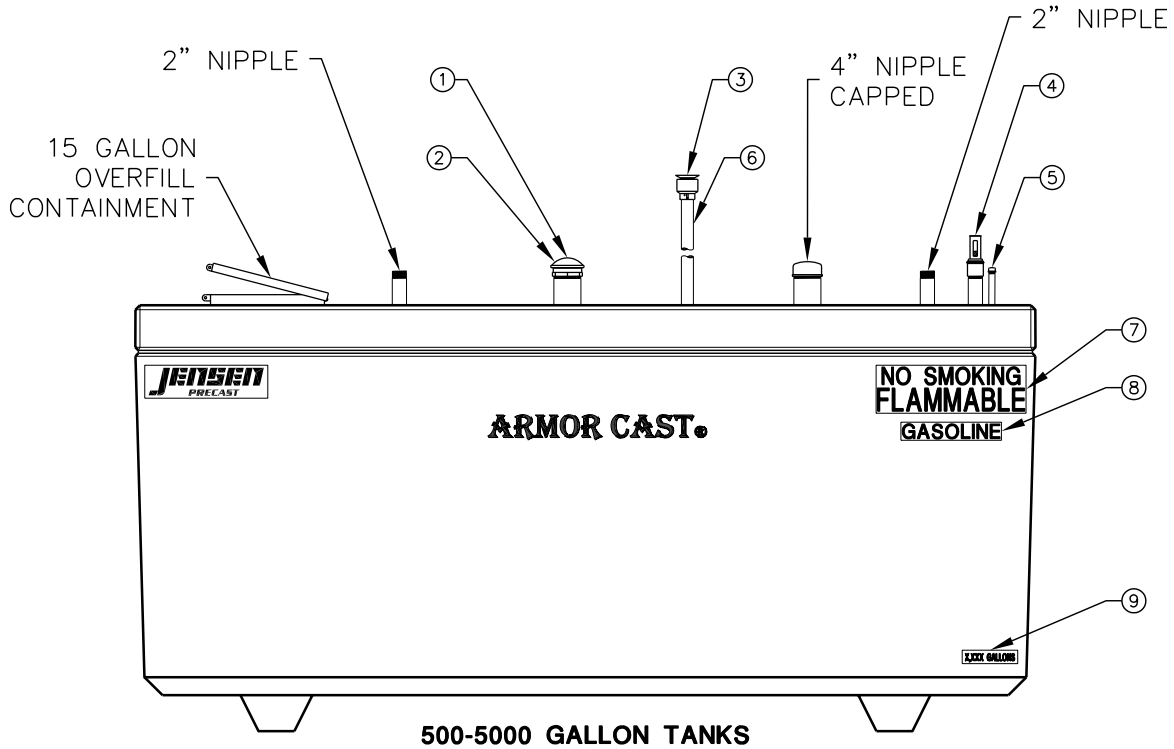


ARMOR CAST®

VENT KITS

FK-VENT-G 500/1000/2000/5000

FK-VENT-D 500/1000/2000/5000



NO.	DESCRIPTION
1	PRIMARY EMERGENCY VENT
2	SECONDARY EMERGENCY VENT (BEHIND PRIMARY)
3	ATMOSPHERIC PRESSURE VACUUM VENT CAP
4	LEAK DETECTOR & MONITORING PORT
5	TERTIARY INSPECTION PORT
6	2" VENT PIPE
7	NO SMOKING-FLAMMABLE DETAIL
8	FUEL TYPE DETAIL
9	TANK CAPACITY DETAIL

FOR COMPLETE DESIGN
AND PRODUCT INFORMATION
CONTACT JENSEN PRECAST.