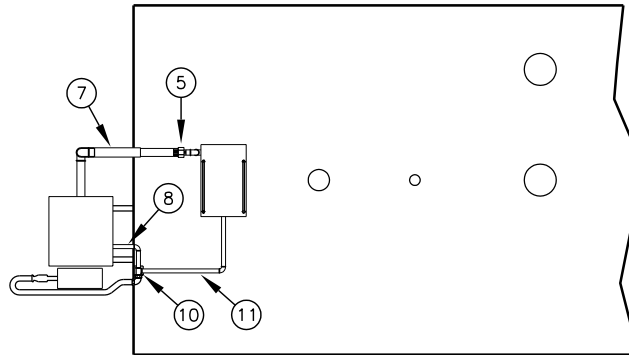
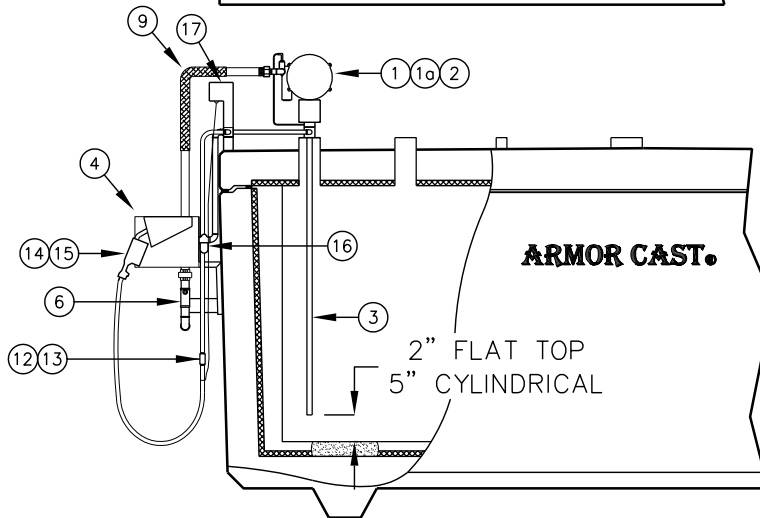


AST PUMP PACKAGE NO. 3

SIDE MOUNT SPLIT SYSTEM



PLAN VIEW



**ELEVATION
(CUTAWAY)**

PACKAGE NO.	FKP-DF18-SS	FKP-DF20-SS	FKP-DF30-SS	FKP-GF18-SS	FKP-GF20-SS
-------------	-------------	-------------	-------------	-------------	-------------

NO.	DESCRIPTION	FKP-DF18-SS	FKP-DF20-SS	FKP-DF30-SS	FKP-GF18-SS	FKP-GF20-SS
1	713 1/3 H.P. SUCTION PUMP FOR GAS OR DIESEL	•			•	
1a	303 1/2 H.P. SUCTION PUMP FOR GASOLINE		•			•
2	313 3/4 H.P. SUCTION PUMP FOR DIESEL			•		
3	1" OR 1 1/2" DIA. SUCTION PIPE	•	•	•	•	•
4	305 REMOTE DISPENSER WITH MOUNTING BRACKET	•	•	•	•	•
5	1" x 1-1/2" REDUCING BUSHING	•	•	•	•	•
6	OPTIONAL 1-1/2" DIA. SAFETY / SHEAR VALVE	0	0	0	0	0
7	1" OR 1-1/2" DIA. SUPPLY PIPE TO DISPENSER (SCHEDULE 40)	•	•	•	•	•
8	3/4" DIA. SUPPLY PIPE TO ADAPTER (#10)				•	•
9	1" OR 1-1/2" DIA. STAINLESS STEEL FLEX CONNECTOR OR RIGID PIPING	•	•	•	•	•
10	VAPOR RECOVERY COAXIAL ADAPTER				•	•
11	3/4" DIA. VAPOR RETURN LINE (SCHEDULE 40) (TEE INTO VENT PIPE)				•	•
12	3/4" OR (1" HIGH SPEED) DIA. HOSE, SWIVEL, AND BREAKAWAY	•	•	•		
13	COAXIAL HOSE, AND BREAKAWAY				•	•
14	AUTO NOZZLE FOR DIESEL	•	•	•		
15	STAGE II VAPOR RECOVERY AUTO NOZZLE				•	•
16	3/4" OR 1" FILTER AND FILTER BLOCK	•	•	•	•	•
17	HIGH HOSE RETRACTOR W/ STAND				•	•

1. STANDARD SPEED – 1/3 H.P. ECONOMY SIDE MOUNT PUMP PACKAGE.

2. MEDIUM SPEED – 1/2 H.P. ECONOMY SIDE MOUNT PUMP PACKAGE.

3. HIGH SPEED – 3/4 H.P. HEAVY DUTY ECONOMY SIDE MOUNT PUMP PACKAGE.

FOR COMPLETE DESIGN AND PRODUCT INFORMATION, CONTACT JENSEN PRECAST.