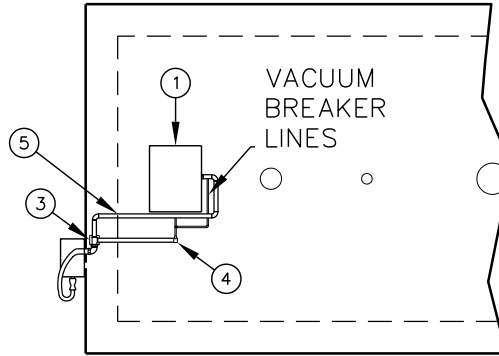
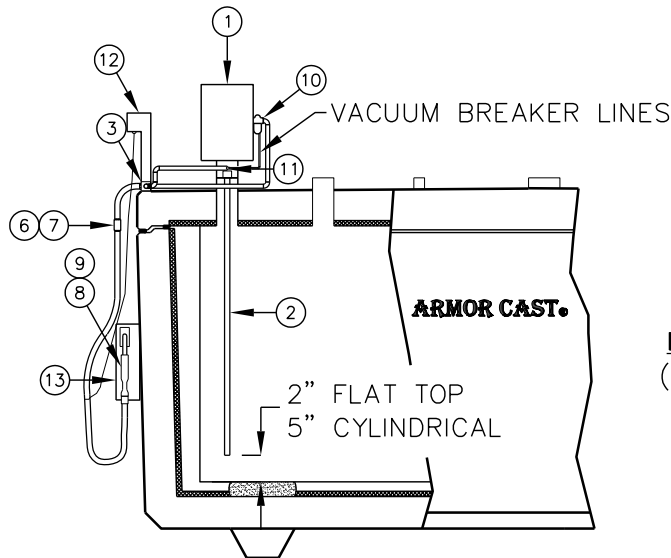


# AST PUMP PACKAGE NO.1

## TOP MOUNT PUMP PACKAGE



**PLAN VIEW**



**ELEVATION  
(CUTAWAY)**

PACKAGE NO.
FKP-DF18-T
FKP-DF30-T
FKP-GF18-T
FKP-GF20-T

1. STANDARD SPEED – 1/3 H.P. ECONOMY TOP MOUNT PUMP PACKAGE.

2. MEDIUM SPEED – 1/2 H.P. ECONOMY TOP MOUNT PUMP PACKAGE.

3. HIGH SPEED – 3/4 H.P. HEAVY DUTY ECONOMY TOP MOUNT PUMP PACKAGE.

FOR COMPLETE DESIGN AND PRODUCT INFORMATION, CONTACT JENSEN PRECAST.

NO.	DESCRIPTION				
1	FILL-RITE 702 , 303, OR 311	•	•	•	•
2	1" OR 1 1/2" DIA. SUCTION PIPE	•	•	•	•
3	VAPOR RECOVERY COAXIAL ADAPTER			•	•
4	3/4" DIA. VAPOR RETURN LINE (SCHEDULE 40) TEE INTO VENT PIPE			•	•
5	3/4" DIA. FUEL SUPPLY TO ADAPTER (SCHEDULE 40)			•	•
6	3/4" HOSE, SWIVEL, AND BREAKAWAY	•	•		
7	COAXIAL HOSE, SWIVEL, AND BREAKAWAY			•	•
8	AUTO NOZZLE FOR DIESEL	•	•		
9	VAPOR RECOVERY AUTO NOZZLE			•	•
10	3/4" OR 1" FILTER AND FILTER BLOCK	•	•	•	•
11	2" x 2" x 3/4" TEE			•	•
12	HIGH HOSE RETRACTOR W/STAND			•	•
13	NOZZEL HOLDER	•	•	•	•