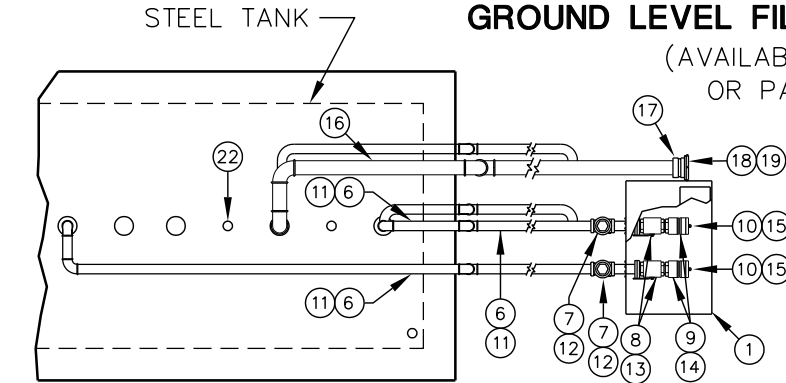


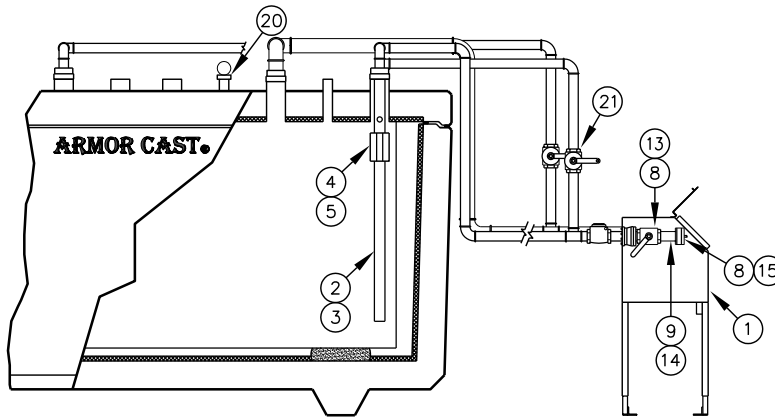
AST FILLPACK NO. 7

SPLIT TANK APPLICATION, GROUND LEVEL FILL / SPILL CONTAINMENT

(AVAILABLE IN STAINLESS
OR PAINTED STEEL)



PLAN VIEW



ELEVATION
(CUTAWAY)

PACKAGE NO.
FKFILL-DG2-R
FKFILL-DG3-R
FKFILL-DG2-RA
FKFILL-DG3-RA

1. GROUND LEVEL FILL –
REGULAR SPEED.

2. GROUND LEVEL FILL – HIGH
SPEED.

3. GROUND LEVEL FILL –
REGULAR SPEED WITH STAGE-I
VAPOR RECOVERY CONNECTION.

4. GROUND LEVEL FILL – HIGH
SPEED WITH STAGE-I VAPOR
RECOVERY CONNECTION.

5. GAUGE STICK WITH
CONVERSION CHART.

FOR COMPLETE DESIGN
AND PRODUCT INFORMATION,
CONTACT JENSEN PRECAST.

NO.	DESCRIPTION				
1	GROUND LEVEL SPILL CONTAINER W/ 2 FLEXIBLE BOOT CONNECTIONS	•	•	•	•
2	2" DIA. DROP TUBE WITH 1/8" (MIN.) HOLE @ TOP	2	2		
3	3" DIA. DROP TUBE WITH 1/8" (MIN.) HOLE @ TOP		2	2	
4	2" DIA. AST OVERFILL PREVENTION VALVE	2	2		
5	3" DIA. AST HIGH SPEED OVERFILL PREVENTION VALVE		2	2	
6	2" DIA. SUPPLY PIPING (SCH. 40, GALVANIZED)	2	2		
7	2" DIA. SWING CHECK VALVE	2	2		
8	2" DIA. BALL VALVE	2	2		
9	2" DIA. ALUMINUM QUICK CONNECT ADAPTER	2	2		
10	2" DIA. ALUMINUM DUST CAP	2	2		
11	3" DIA. SUPPLY PIPING (SCH. 40, GALVANIZED)		2		
12	3" DIA. SWING CHECK VALVE		2		
13	3" DIA. BALL VALVE		2		
14	3" DIA. ALUMINUM QUICK CONNECT ADAPTER		2		
15	3" DIA. ALUMINUM DUST CAP		2		
16	2" DIA. VAPOR RECOVERY PIPING (SCH. 40, GALVANIZED)	•	•	•	•
17	VAPOR RECOVERY ADAPTER (3" ADAPTER x 3" NPT)	•	•	•	•
18	3" DIA. VAPOR RECOVERY CAP (ORANGE)	•	•	•	•
19	2" x 3" REDUCER BUSHING	•	•	•	•
20	MORRISON CLOCK	•	•	•	•
21	HAND PUMP			2	
22	2" STICK PORT	•	•	•	•