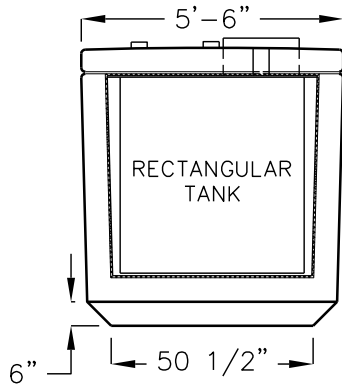


ARMOR CAST®

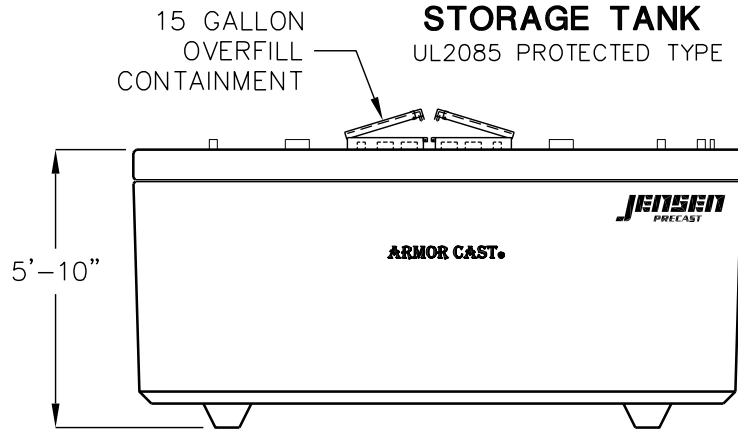
AST SPLIT 1000

1000 GALLON ABOVE
GROUND DUAL PRODUCT
STORAGE TANK

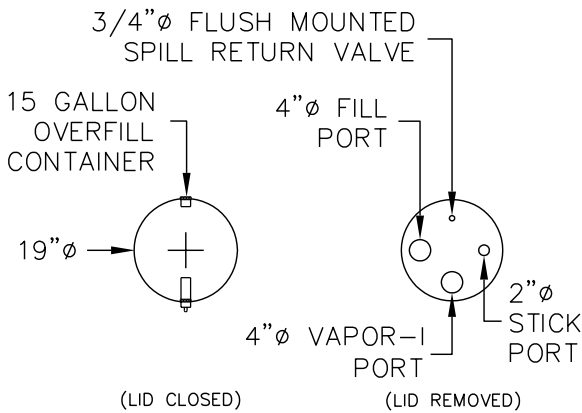
UL2085 PROTECTED TYPE



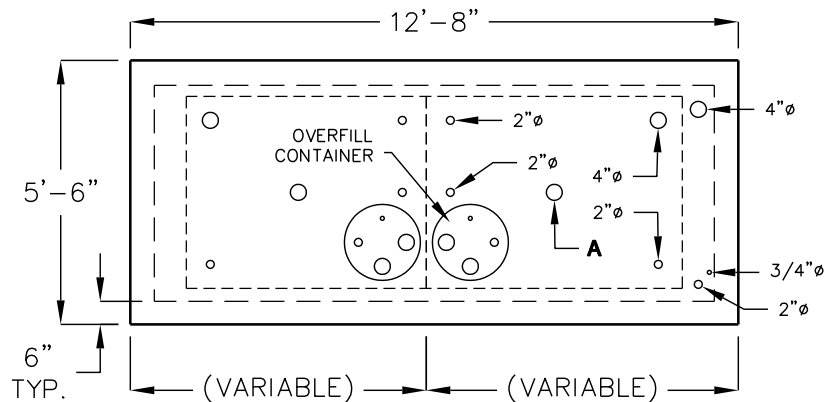
END VIEW



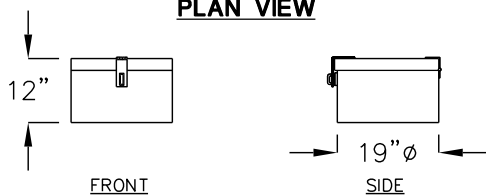
ELEVATION



PLAN VIEW



PLAN VIEW



SPILL CONTAINER

(OPTIONAL)

TOTAL CAPACITY	GALLONS	A
1000 GALLONS	500/500	4"/4"
1000 GALLONS	700/300	4"/4"

1. RECTANGULAR STEEL TANK IS 3/16" THICK, UL142 LISTED.
2. OPTIONAL EXTERIOR FINISH MAY BE EPOXY, OR EXPOSED AGGREGATE.
3. LID IS CROWNED 1/2"± TO FACILITATE DRAINAGE.
4. ALL PIPE NIPPLES ARE SCHEDULE 40, NPT.
5. TOP OF CONCRETE TANK TO RECEIVE NON-SLIP FINISH.
6. APPROXIMATE WEIGHT IS 24,500 LBS.

FOR COMPLETE DESIGN
AND PRODUCT INFORMATION
CONTACT JENSEN PRECAST.
U.S.A. AND CANADA PATENTED SYSTEM