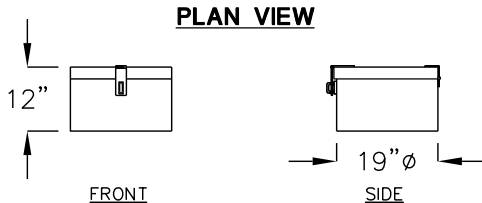
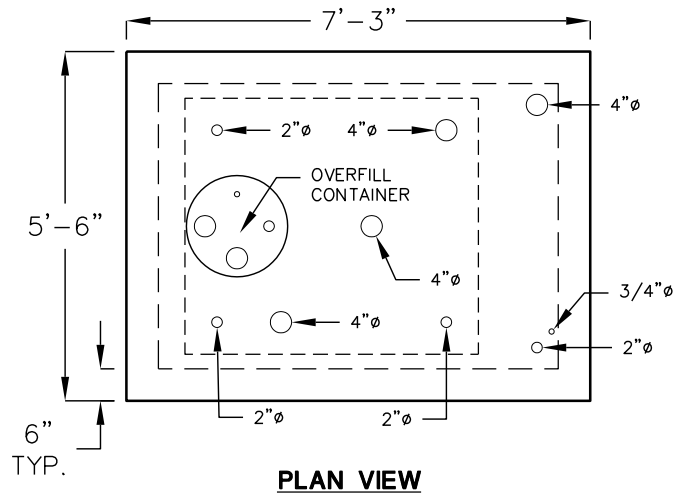
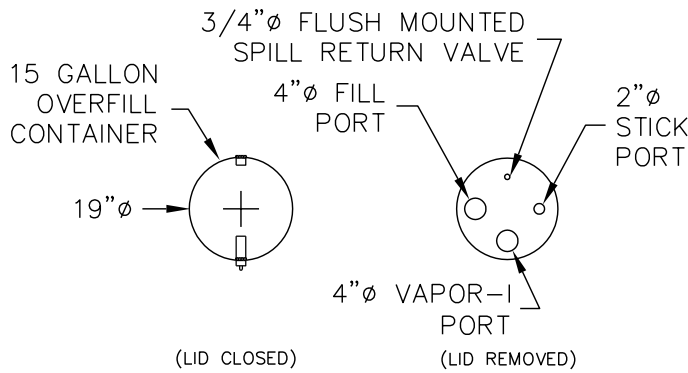
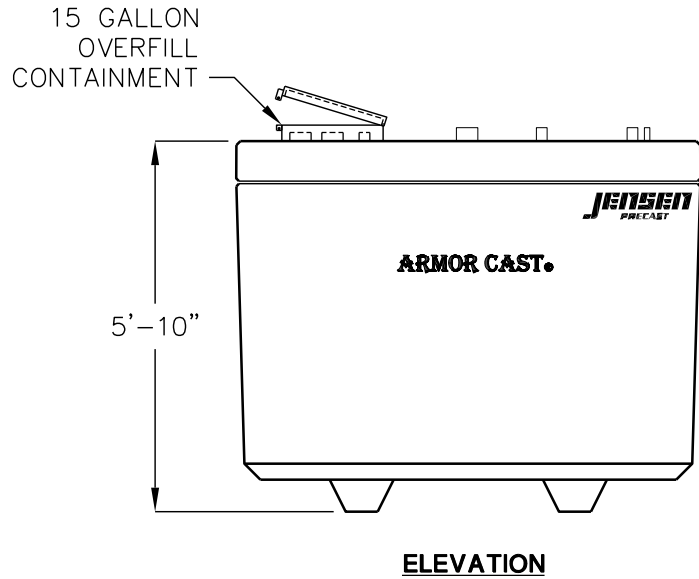
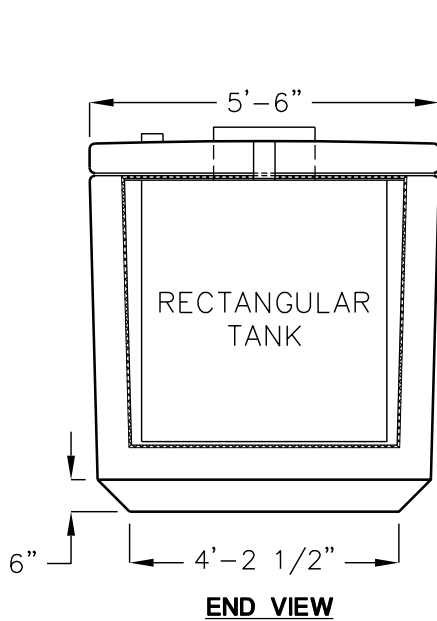


ARMOR CAST®

AST 500 500 GALLON ABOVE GROUND STORAGE TANK UL2085 PROTECTED TYPE



SPILL CONTAINER
(OPTIONAL)

1. RECTANGULAR STEEL TANK IS 3/16" THICK, UL142 LISTED.
2. OPTIONAL EXTERIOR FINISH MAY BE EPOXY, OR EXPOSED AGGREGATE.
3. APPROXIMATE WEIGHT IS 14,700 LBS.
4. LID IS CROWNED 1/2" \pm TO FACILITATE DRAINAGE.
5. ALL PIPE NIPPLES ARE SCHEDULE 40, NPT.
6. TOP OF CONCRETE TANK TO RECEIVE NON-SLIP FINISH.

FOR COMPLETE DESIGN
AND PRODUCT INFORMATION
CONTACT JENSEN PRECAST.
U.S.A. AND CANADA PATENTED SYSTEM