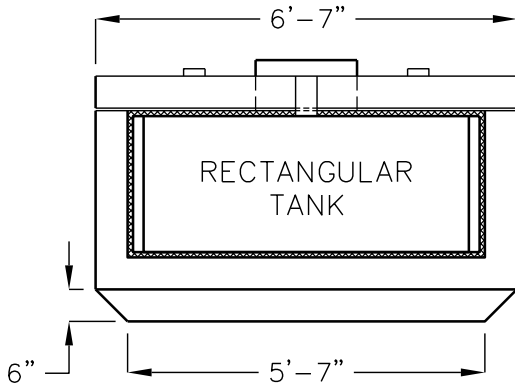
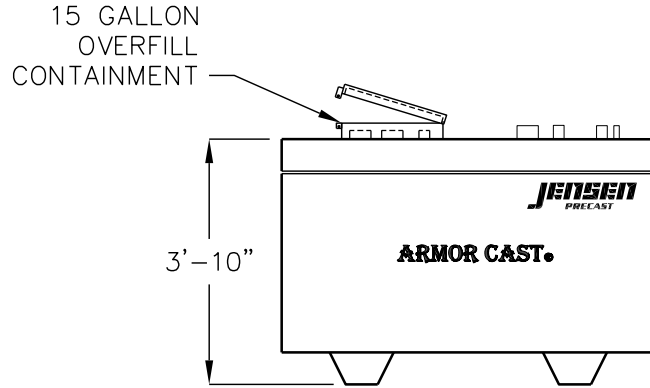


ARMOR CAST®

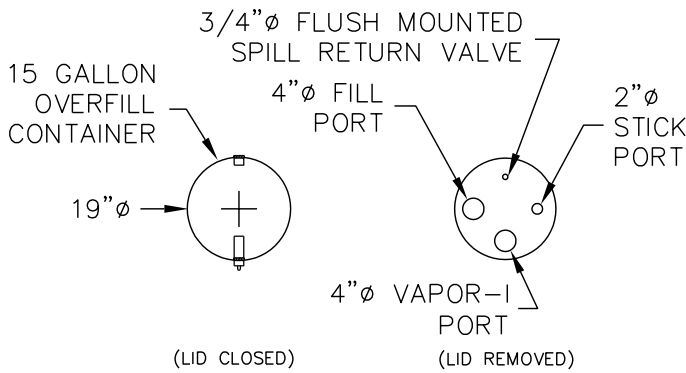
AST 300 LP 300 GALLON LOW PROFILE ABOVE GROUND STORAGE TANK UL2085 PROTECTED TYPE



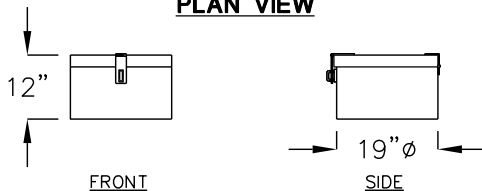
END VIEW



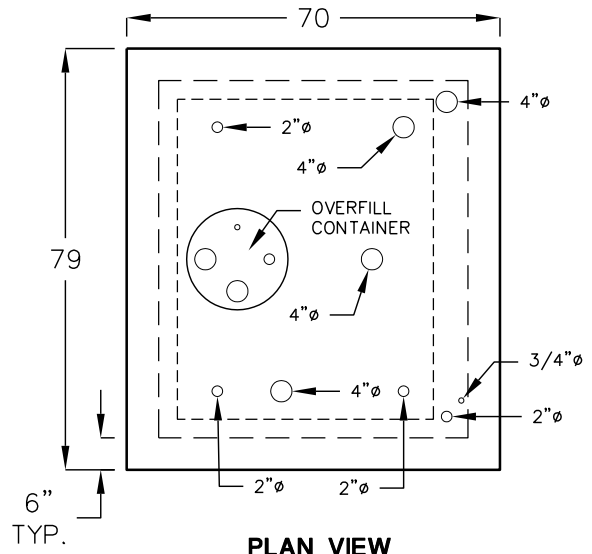
ELEVATION



PLAN VIEW



SPILL CONTAINER
(OPTIONAL)



PLAN VIEW

1. RECTANGULAR STEEL TANK IS 3/16" THICK, UL142 LISTED.
2. OPTIONAL EXTERIOR FINISH MAY BE EPOXY, OR EXPOSED AGGREGATE.
3. APPROXIMATE WEIGHT IS 10,200 LBS.
4. LID IS CROWNED 1/2" \pm TO FACILITATE DRAINAGE.
5. ALL PIPE NIPPLES ARE SCHEDULE 40, NPT.
6. TOP OF CONCRETE TANK TO RECEIVE NON-SLIP FINISH.

FOR COMPLETE DESIGN AND PRODUCT INFORMATION CONTACT JENSEN PRECAST. U.S.A. AND CANADA PATENTED SYSTEM