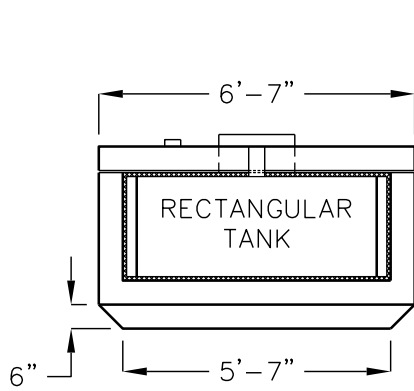


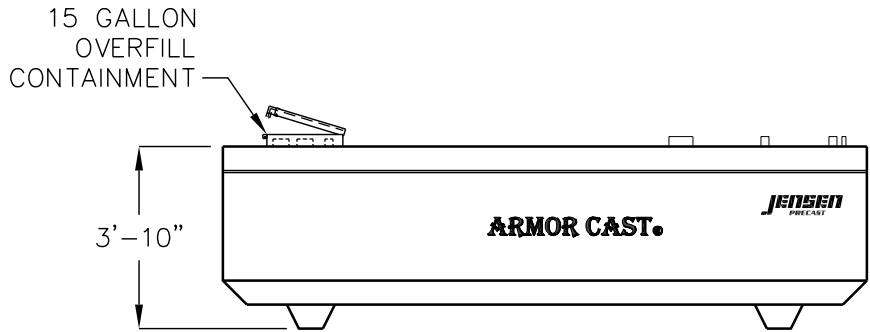
# ARMOR CAST®

## AST 1000 LP 1000 GALLON LOW PROFILE ABOVE GROUND STORAGE TANK

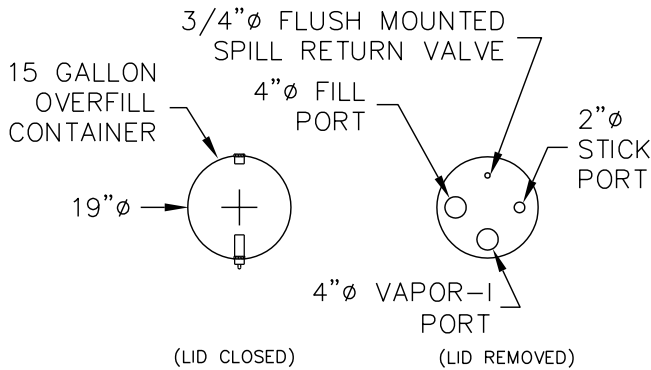
UL2085 PROTECTED TYPE



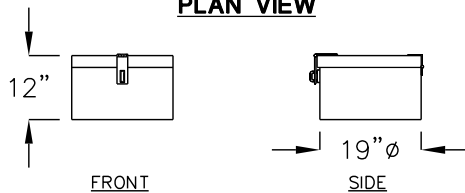
**END VIEW**



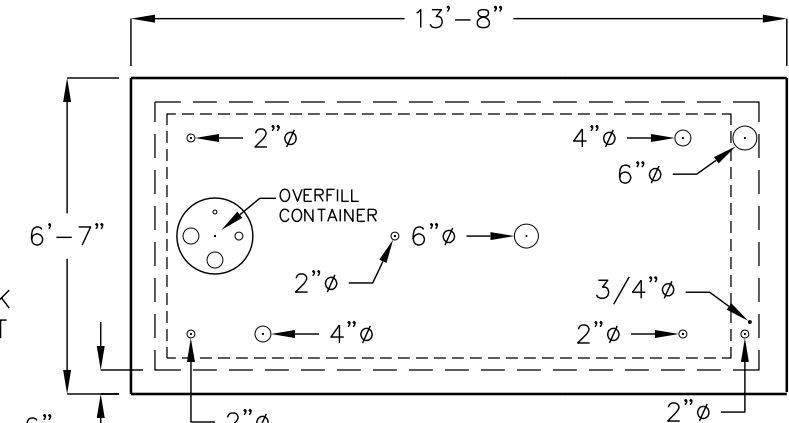
**ELEVATION**



**PLAN VIEW**



**SPILL CONTAINER**  
(OPTIONAL)



**PLAN VIEW**

1. RECTANGULAR STEEL TANK IS 3/16" THICK, UL142 LISTED.
2. OPTIONAL EXTERIOR FINISH MAY BE EPOXY, OR EXPOSED AGGREGATE.
3. APPROXIMATE WEIGHT IS 22,500 LBS.
4. LID IS CROWNED 1/2"  $\pm$  TO FACILITATE DRAINAGE.
5. ALL PIPE NIPPLES ARE SCHEDULE 40, NPT.
6. TOP OF CONCRETE TANK TO RECEIVE NON-SLIP FINISH.

FOR COMPLETE DESIGN  
AND PRODUCT INFORMATION  
CONTACT JENSEN PRECAST.  
U.S.A. AND CANADA PATENTED SYSTEM