

2'-6" x 4'-0" CITY OF CORONA DUCTED INTERCEPT BOX x 42" DEEP

NOTES:

1. INTERCEPT BOX SHALL BE IN ACCORDANCE WITH AASHTO H-20-44 TRAFFIC BRIDGE LOADING USING 5,500 PSI COMPRESSIVE STRENGTH CONCRETE AND 60,000 PSI YIELD STRENGTH ASTM A-706 STEEL REINFORCEMENT.

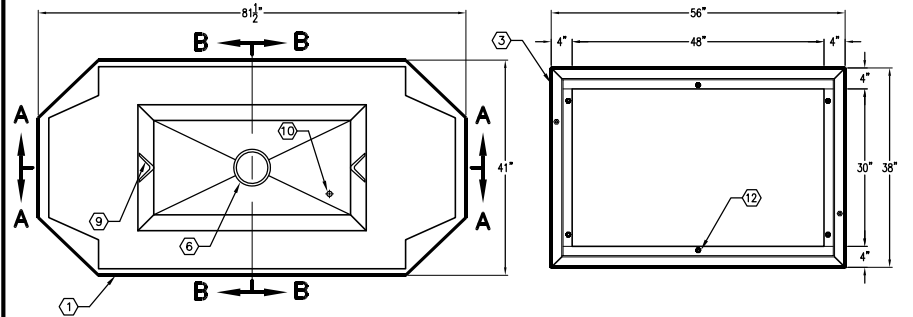
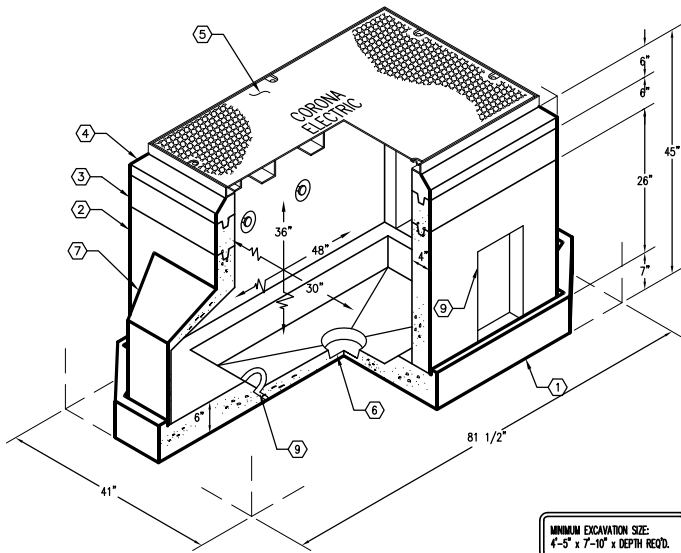
2. INTERCEPT BOX SHALL BE PLACED ON A MIN. 6" BASE OF CRUSHER RUN FOR EASE OF INSTALLATION AND EVEN LOAD DISTRIBUTION.

ORDERING INFORMATION:

APPROVED FOR CITY OF CORONA
TOTAL WEIGHT OF ASSEMBLY SHOWN IS 3,627 lbs.

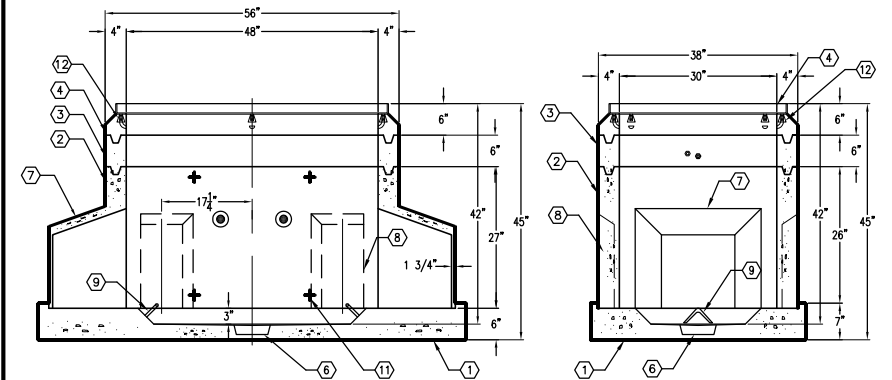
1. PB3048 -B-05, BASE SLAB, WT. 1,700 lbs.
2. PB3048D-I27-05, INTERMEDIATE SECTION, WT. 1,118 lbs.
3. PB3048-R6, EXTENSION SECTION, WT. 331 lbs.
4. PB3048-16E, 6" TOP SECTION, W/ GALV. F3048-PB-ANG ANGLE FRAME CAST-IN, WT. 208 lbs.
- 5A. SC3048-TGV, ONE PIECE TRAFFIC COVER, GALVANIZED FINISH.
- 5B. 12-20-28, ONE PIECE RPM COVER, MARKED "CORONA ELECTRIC". (NOT SHOWN).
6. 6" x 7" DIA. SUMP x 2" DEEP, BASE SLAB.
7. 14" x 14" DUCTED K.O. x 14" DEEP, INTERMEDIATE SECTION.
8. 8" x 16" K.O. x 3" DEEP, INTERMEDIATE SECTION.
9. 7/8" x 9" GALV. PULL IRON, BASE SLAB.
10. 1" DIA. BLIND GROUND ROD HOLE, BOTTOM SECTION.
11. 1/2" PLASTIC INSERTS, INTERMEDIATE SECTION.
12. 1/2" P-35-T O.B. INSERT W/CLEAN-OUT HOLE, TOP SECTION.

**PARKWAY ASSEMBLY WITH RPM COVER K30486-DI42-39P,
LIGHT TRAFFIC ASSEMBLY WITH STEEL COVER K3048-DI42-39T.**



PLAN VIEW OF BOTTOM SLAB

PLAN VIEW OF TOP SECTION



SECTION A-A

SECTION B-B

#	DATE	DESCRIPTION	BY