

4'-0" x 6'-6" BURBANK TRAFFIC HINGED PULL BOX x 72" DEEP

NOTES:

- CONCRETE IS DESIGNED FOR H-20-44 TRAFFIC LOADING USING 5,500 PSI [37.92 MPa] COMPRESSIVE STRENGTH CONCRETE AND 60,000 PSI [413.2 MPa] YIELD STRENGTH ASTM A-706 STEEL REINFORCEMENT PER CALC. #31812.
- INSIDE SURFACES OF HANDHOLE TO BE PAINTED WITH WHITE LATEX PAINT.
- PULL BOX TO BE PLACED ON A 6" BASE OF CRUSHER RUN FOR EASE OF INSTALLATION AND EVEN LOAD DISTRIBUTION.

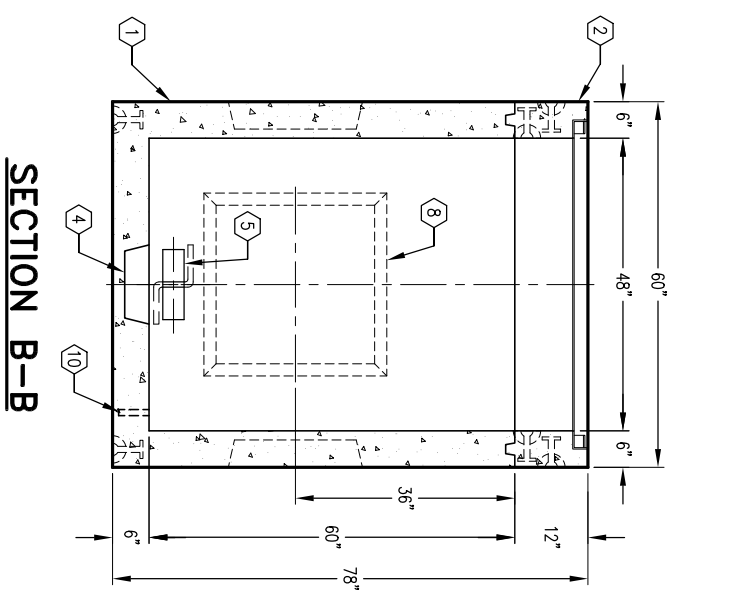
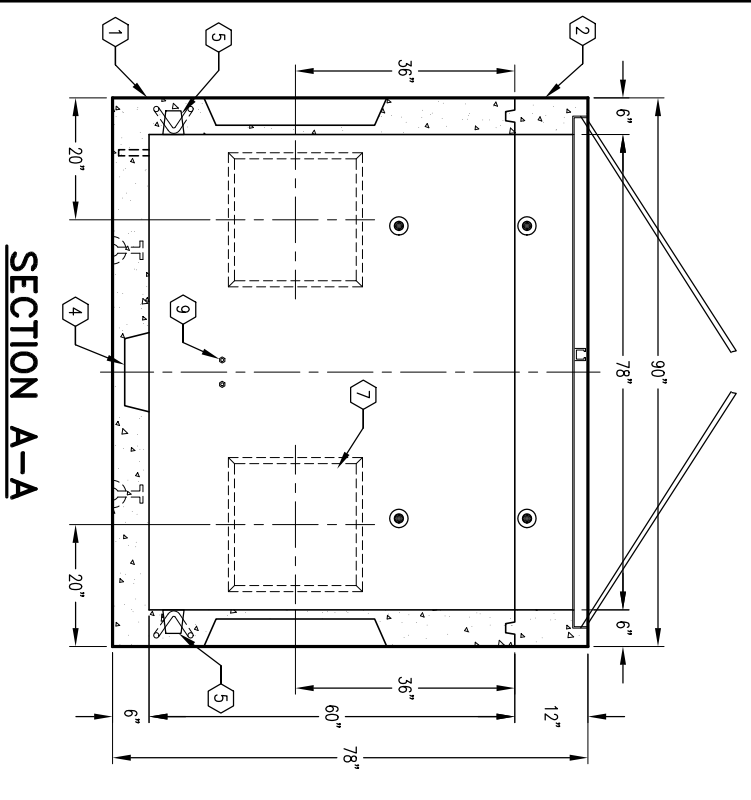
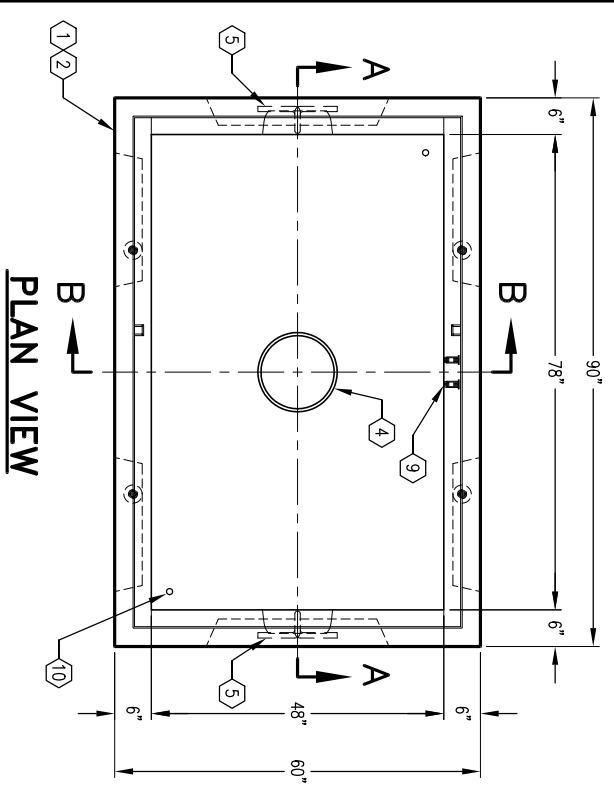
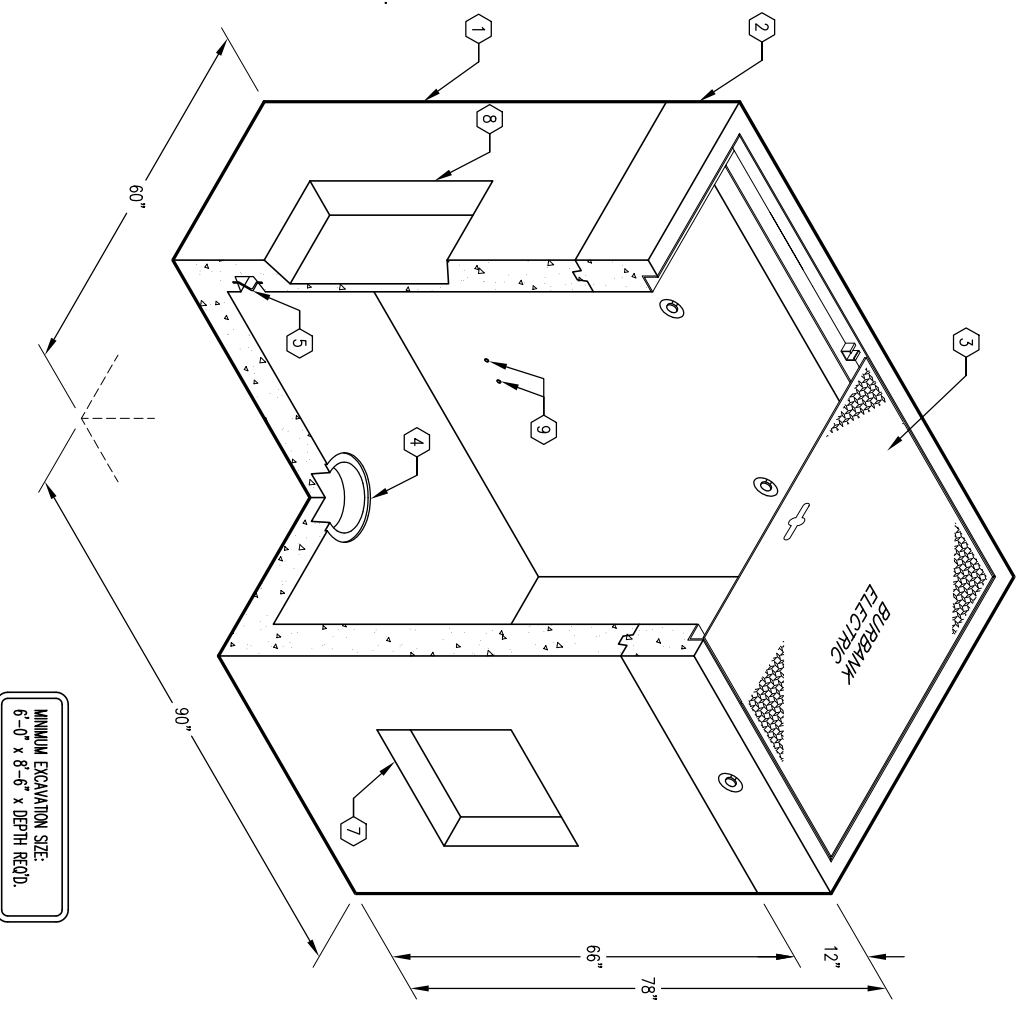
ORDERING INFORMATION

K466-FP72-17TSA FOR ASSEMBLY AS SHOWN PER CITY OF BURBANK SPECIFICATION S-615. TOTAL WEIGHT AS SHOWN IS 12,547 Lbs.

1. PB466-B60-17, 60" BOTTOM SECTION, WT. 10,375 Lbs.
2. PB466-112-17H, 12" TOP SECTION W/ (F466-PB-HNG) FRAME CAST-IN, WT. 1,750 Lbs.
3. CA466-TGSA-17, 2 PIECE TRAFFIC HINGED COVER (SC466-THGV-17) GALVANIZED FINISH, MARK BURBANK ELECTRIC.
4. 12" x 13" DIA. SUMP x 4" DEEP. LOCATE AS FOLLOWS: BOTTOM SECTION, (1) CORE MTD. 7/8" x 4 1/2" GALV. RECESSED PULL IRON. LOCATE AS FOLLOWS: (SPI-45LA) BOTTOM SECTION, (2) CORE MTD. (SPI-45LA) BOTTOM SECTION, (2) CORE MTD.
7. 20" x 20" KNOCKOUT x 4 1/2" DEEP. 1" DRAFT ALL AROUND. LOCATE AS FOLLOWS: BOTTOM SECTION, (4) SHELL MTD.
8. 26" x 26" KNOCKOUT x 4 1/2" DEEP. 2" DRAFT ALL AROUND. LOCATE AS FOLLOWS: BOTTOM SECTION, (2) SHELL MTD.
9. 1/2" P-35-T INSERT FOR SPLIT BOLT CONNECTION. LOCATE AS FOLLOWS: BOTTOM SECTION, (2) CORE MTD.
10. 1" DIA. GROUND ROD KNOCKOUT (2) BOTTOM SECTION.

GENERAL NOTES:

1. Minimum soil bearing capacity is hereby assumed to be 2000 PSF unless otherwise documented by a geotechnical report that shall be provided to Jensen Precast by the end user. Jensen Precast shall not be held responsible for the soil bearing capacity.
2. Installation of Manholes, Vaults, Handholes, Meter Boxes etc. will be as per Jensen installation procedures.
3. Structural modification to the Jensen line of products is not permitted without prior written approval from Jensen Engineering Department.
4. Do not scale the drawings, verify all dimensions including rough openings, if any discrepancies are found, notify the Jensen Engineer immediately.
5. The Jensen Engineer will interpret the intent of the drawings in case of possible conflict or discrepancy.
6. Permissible Variations:
Dimensional Tolerances – The length, width, height, or dia. measurements of the structure when measured on the inside surfaces shall not deviate form design dimensions by more than the following:
Tolerance:
Dimensions: 1/4"
0 to 5 Feet 3/8"
5 to 10 Feet 1/2"
10 to 20 Feet as agreed upon between the supplier and purchaser.
Squariness Tolerance:
he inside of the precast concrete component shall be square as determined by diagonal measurements. The difference between such measurements shall not exceed the following:
Measured Length: Allowable Difference
0 to 10 Feet 1/2"
10 to 20 Feet 3/4"
20 Feet and over as agreed upon between the supplier and purchaser.
- 7.



AUTOCAD REL. 14

K466-FP72-17TSA

PER CITY OF BURBANK SPEC. S-615

03-01-02



#	DATE	DESCRIPTION	BY

K466-FP72-17TSA

PER CITY OF BURBANK SPEC. S-615

03-01-02