

# 4'-0" X 6'-0" X 6" TRANSFORMER PAD

**NOTES:**

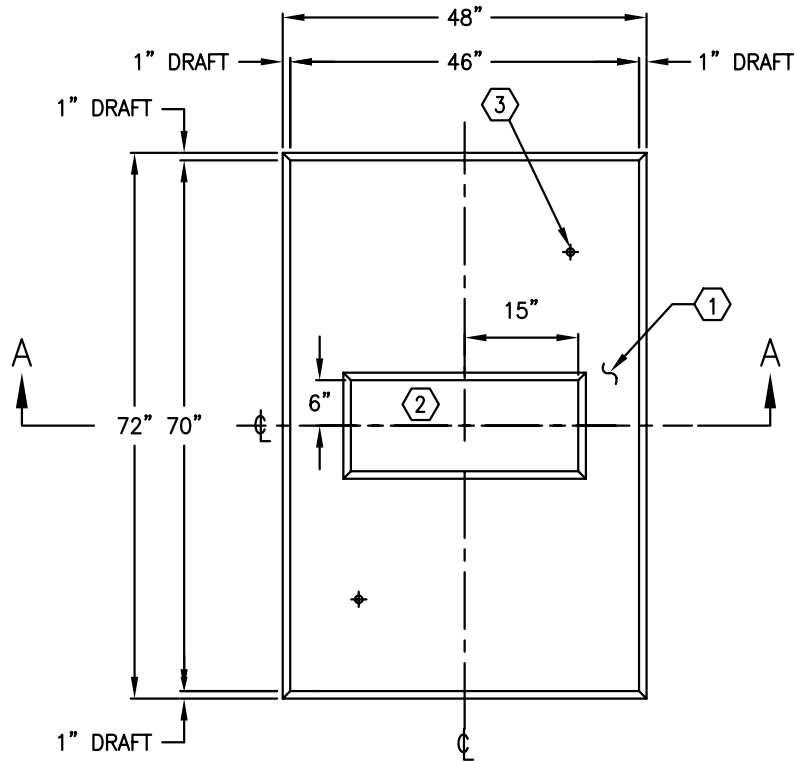
TRANSFORMER PAD DESIGNED IN ACCORDANCE WITH PARKWAY LOADING USING 4,000 PSI COMPRESSIVE STRENGTH CONCRETE AND 60,000 PSI YIELD STRENGTH ASTM A-706 STEEL REINFORCEMENT PER CALCS. # 30599.

TRANSFORMER PAD TO BE PLACED ON A MIN. 6" BASE OF CRUSHER RUN FOR EASE OF INSTALLATION AND EVEN LOAD DISTRIBUTION.

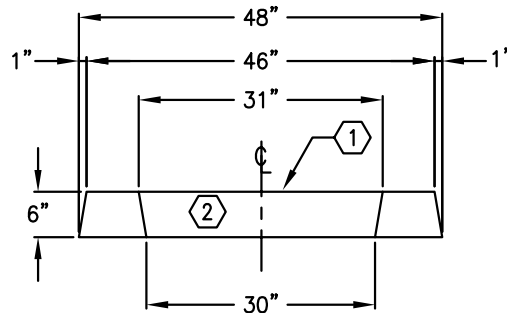
1. PD4872-T6-25, 6" TRANSFORMER PAD (CG-PD4872-T6-25). W.T 1,539#.
2. 12" x 30" OPENING. 1/2" DRAFT ALL SIDES.  
(1) TABLE MTD.
3. 1/2" DIA. x 2 1/2" COIL LIFT INSERTS TYP. 2 PLACES. (55-10-455)

**ORDERING INFORMATION:**

PD4872-T6-25 FOR PAD AS SHOWN.  
PER IMPERIAL IRRIGATION DISTRICT SPEC.  
TOTAL WT. 1,539#.



PLAN VIEW



SECTION A-A



AUTOCAD REL. 14  
PD4872-T6-25 (1550-TP6-ID)

#	DATE	DESCRIPTION	BY

PD4872-T6-25

IMPERIAL IRRIG. DIST. SPCL. SPECS.

6-29-99