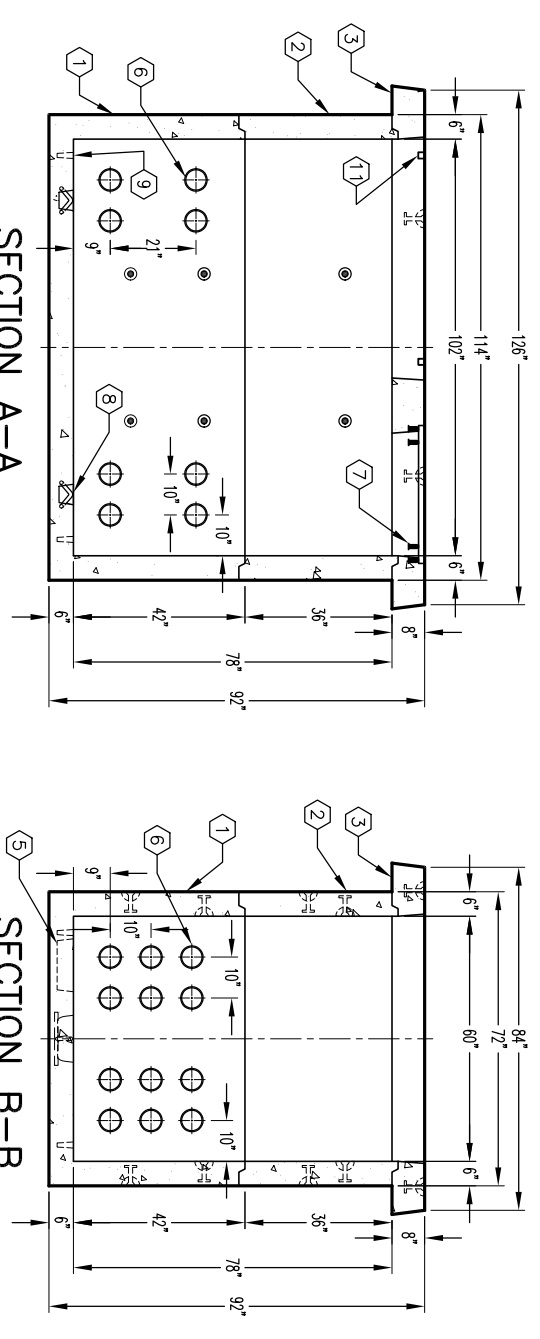


7'-0" x 10'-6" BURBANK SWITCH PAD W/5'-0" x 8'-6" ENCLOSURE x 78" DEEP

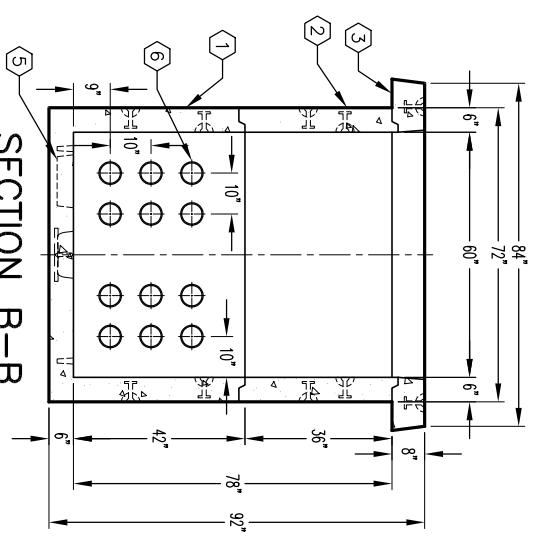
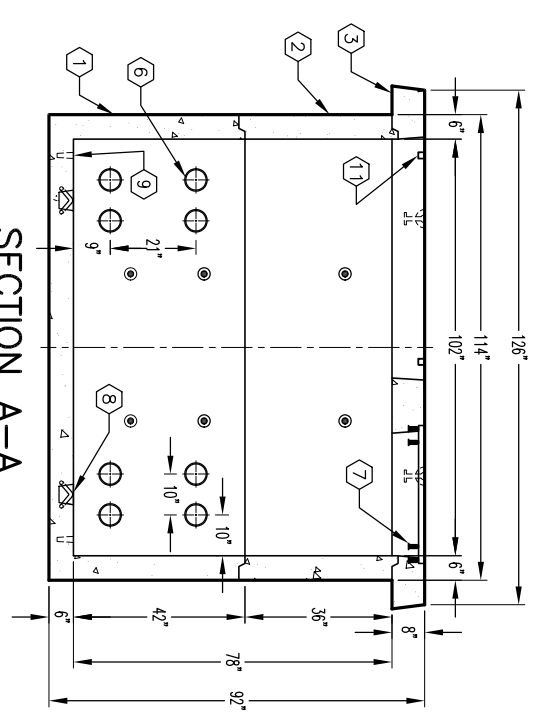
NOTES:

- VAULT DESIGNED IN ACCORDANCE WITH AASHTO H-20-44 TRAFFIC BRIDGE LOADING USING 5,500 PSI COMPRESSIVE STRENGTH CONCRETE AND 60,000 PSI YIELD STRENGTH ASTM A-706 STEEL REINFORCEMENT PER CALCS. #30603.
 - VAULT TO BE PLACED ON A MIN. 6" BASE OF CRUSHER RUN 3/4" MIN., 1 1/2" MAX. FOR EASE OF INSTALLATION AND EVEN LOAD DISTRIBUTION.
 - FILL SUMP CAVITY WITH ROCK TO A DEPTH OF 2 FEET.
 - INSIDE SURFACES OF THE CONCRETE ENCLOSURE TO BE PAINTED WITH WHITE LATEX PAINT.
1. PB586-B42-17, 42" BOTTOM SECTION, WT. 11,888 lbs.
 2. PB586-R36-17, 37 1/2" RING SECTION, WT. 6,525 lbs.
 3. PD84126-T8-17, 8" TRANSFORMER PAD, WT. 3,809 lbs. (12-20-21) RPM COVER W/6) 1/2" x 2 1/2" PENTA-HEAD BOLTS WITH CAPTIVE WASHERS MARKED "BURBANK ELECTRIC".
 4. 12" x 13" DIA. SUMP x 4" DEEP, BOTTOM SECTION (1) CORE MTD.
 5. SIZE & LOCATION OF TERMINATORS, TO BE SPECIFIED.
 6. CAST IN F3048-PB-ANG. FRAME W/ 1/2" DIA. OPEN BOTTOM INSERTS WITH CLEAN OUTS. TRANSFORMER PAD MTD.
 7. 7/8" DIA. x 4 3/4" GALV. FLUSH PULL IRON, BOTTOM SECTION (2) CORE MTD.
 8. 1" DIA. BLIND GROUND ROD HOLE, BOTTOM SECTION (4) CORE MTD.
 9. 1 5/8" x 1 5/8" GALV. UNISTRUT x 4 1/2", TRANS. PAD (4) TABLE MTD.

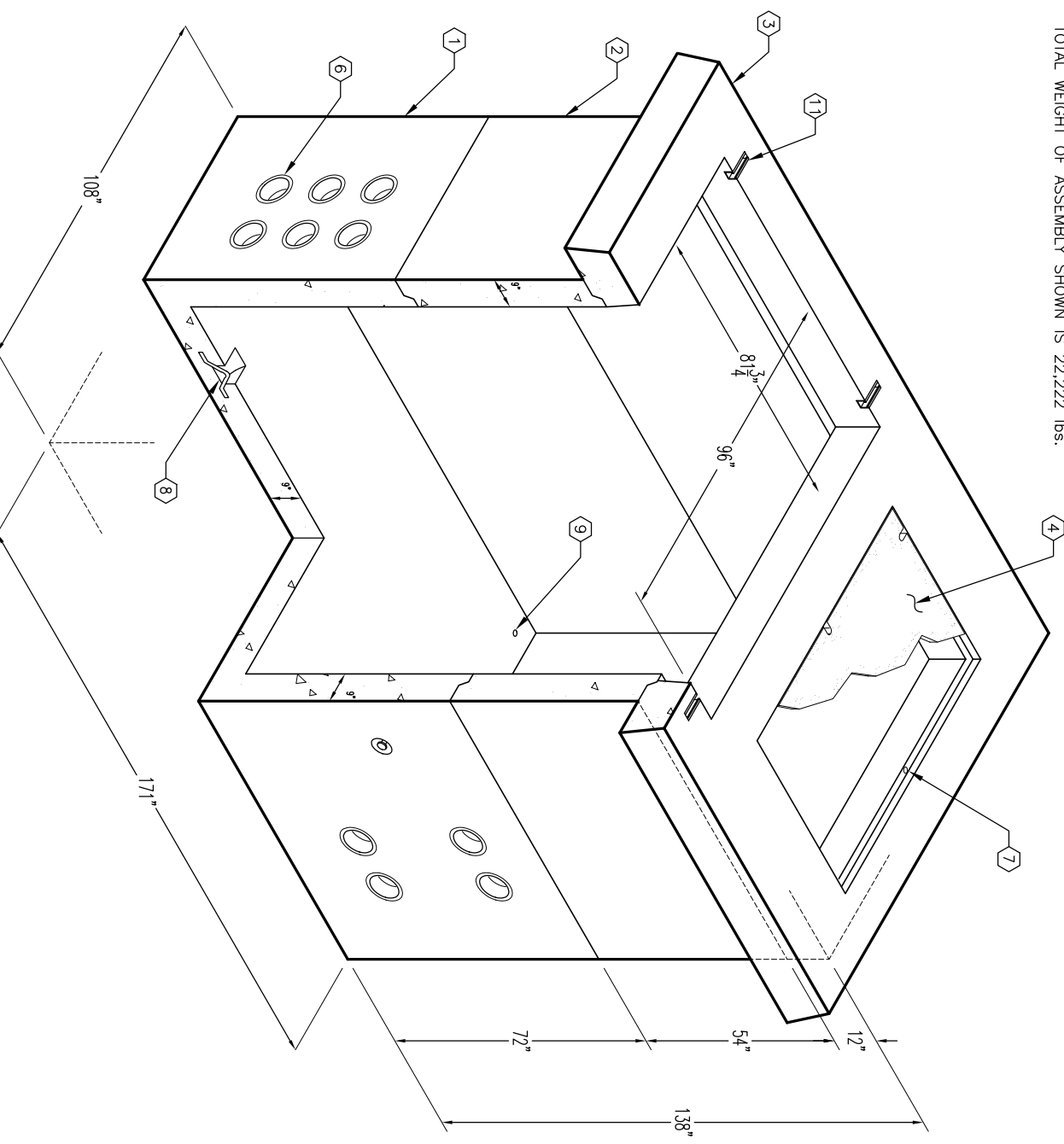


SECTION A-A

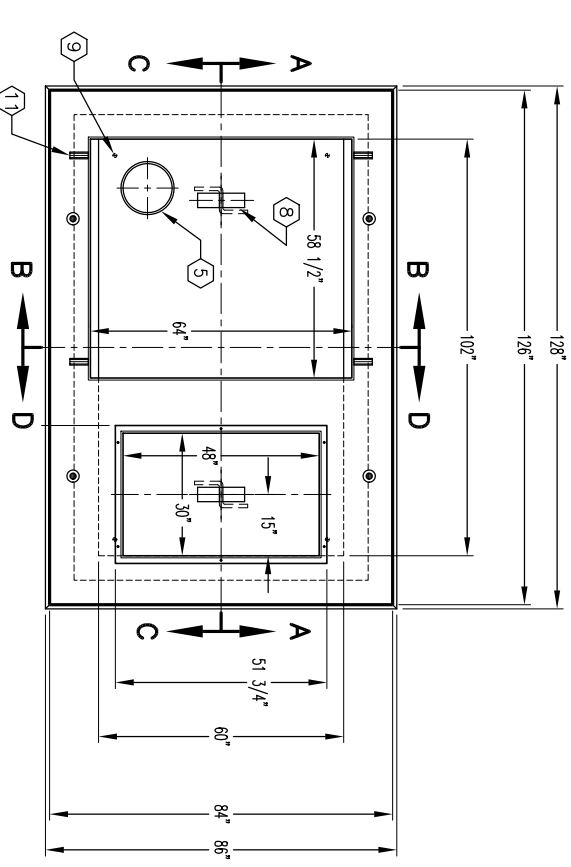
SECTION B-B



ORDERING INFORMATION:
 K586-SB78-17 FOR ASSEMBLY AS SHOWN.
 PER CITY OF BURBANK SPECS. S-462
 TOTAL WEIGHT OF ASSEMBLY SHOWN IS 22,222 lbs.

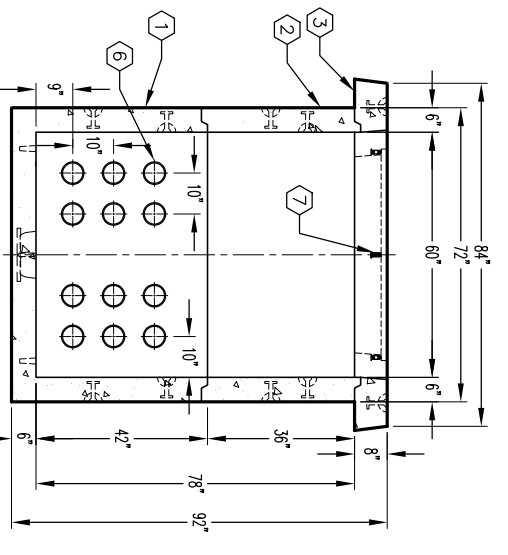
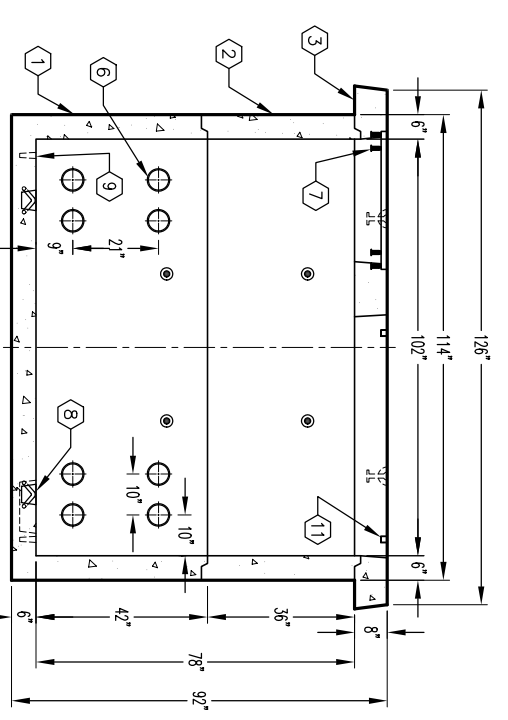


PLAN VIEW



SECTION C-C

SECTION D-D



#	DATE	DESCRIPTION	BY