

4'-0" x 5'-0" SDG&E TRAFFIC VAULT NECK WITH CONCRETE COVER-3332

NOTES:

- DESIGNED IN ACCORDANCE WITH AASHTO H-20-44 TRAFFIC LOADING USING 5,500 P.S.I. COMPRESSIVE STRENGTH CONCRETE AND 60,000 P.S.I. YIELD STRENGTH GRADE 60 A-706 STEEL REINFORCEMENT PER CALCS. # 31635.
- *EXTENSION ARE AVAILABLE IN THE FOLLOWING SIZES:
 - A) VN45-R6, 6" EXTENSION SECTION (355-1834-1). WT. 877#.
 - B) VN45-R9, 9" EXTENSION SECTION (355-1834-2). WT. 1,316#.
 - C) VN45-R12, 12" EXTENSION SECTION (355-1834-3). WT. 1,755#.

ORDERING INFORMATION:

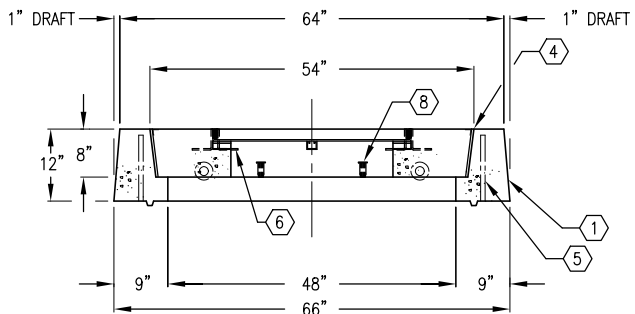
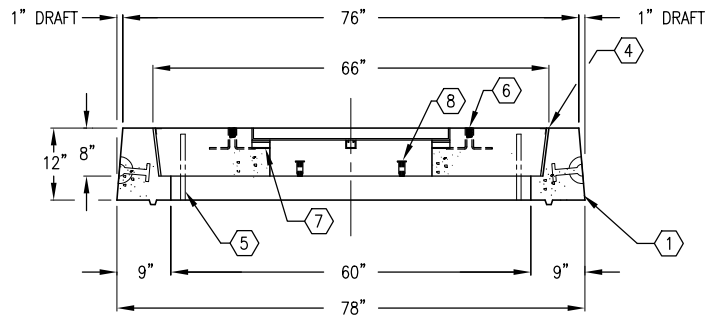
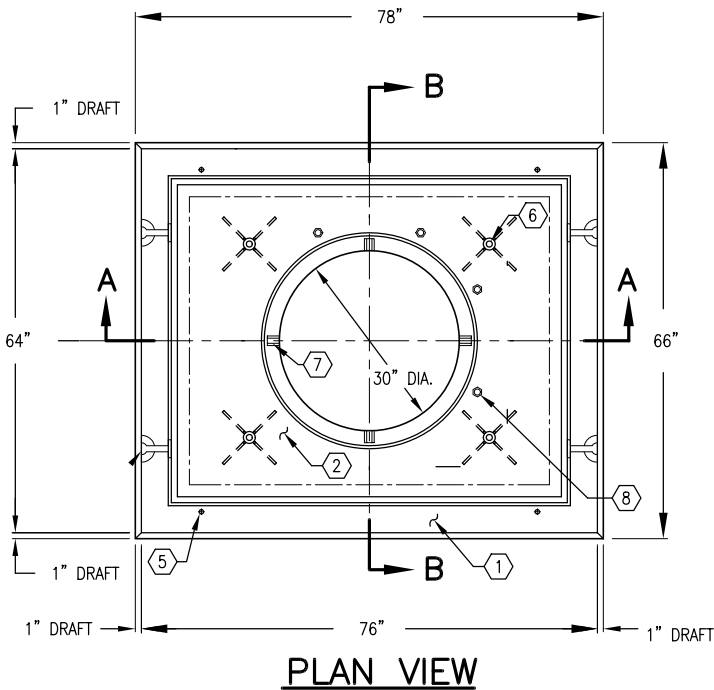
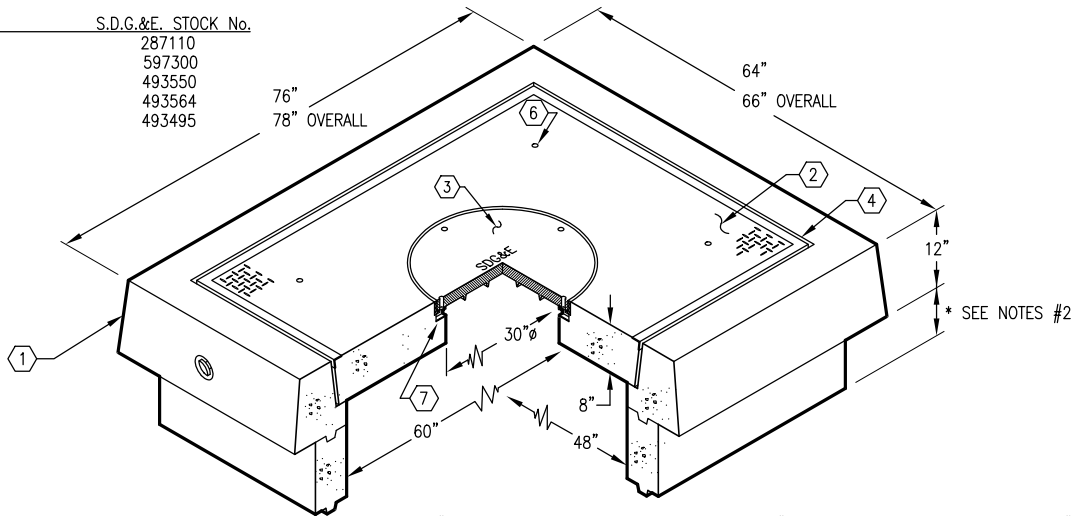
K45-VN12-10 FOR ASSEMBLY AS SHOWN.
 APPROVED FOR SAN DIEGO GAS & ELECTRIC CO. SPEC. 3332.
 TOTAL WEIGHT FOR ASSEMBLY AS SHOWN IS 4,231#.

IDENTIFICATION:

ALL PRECAST CONCRETE PRODUCTS SHALL HAVE MARKINGS INDICATING THE MANUFACTURE'S NAME, DATE OF POUR AND S.D.G.&E. STOCK NUMBER; SHALL BE PLACED ON THE OUTSIDE AND INSIDE WALL.

1. VN45-N12-05, 12" NECK SECTION. WT. 1,949#.
2. VN45-T8-10, 8" COVER SECTION W/CAST-IN A-1106 RING, SURFACE TO BE DIAMOND PLATE IMPRINT. WT. 2,077#.
3. A-1106, 30" DIAMETER ALHAMBRA FOUNDRY COVER MARKED "S.D.G.&E.". WT. 205#.
4. 3/8" x 8" EXPANDED FELT.
5. 3/4" COIL THREADED ADJUSTING BOLT HOLE x 11" LONG. LOCATE AS FOLLOWS: NECK SECTION (4) TONGUE FORMER MTD.
6. X 1" DIAMETER x 5 1/2" GALVANIZED COIL THREAD INSERT. LOCATE AS FOLLOWS: COVER SECTION (4) TABLE MTD.
7. CLEANOUT HOLES.
8. 1/2" PLASTIC INSERT. LOCATE AS FOLLOWS: COVER SECTION (4) CORE DECK MTD.

| JENSEN PART No. | S.D.G.&E. STOCK No. |
|-----------------|---------------------|
| 1. VN45-T8-055 | 287110 |
| 2. VN45-N12-05 | 597300 |
| 3. VN45-R6 | 493550 |
| 4. VN45-R9 | 493564 |
| 5. VN45-R12 | 493495 |



| # | DATE | DESCRIPTION | BY |
|---|------|-------------|----|
| | | | |