

30" LADWP MANHOLE TRAFFIC COVER & NECK x 11" DEEP

NOTES:

- CONCRETE DESIGNED IN ACCORDANCE WITH AASHTO HS 20-44 TRAFFIC BRIDGE LOADING USING 5,500 PSI COMPRESSIVE STRENGTH CONCRETE AND 60,000 PSI YIELD STRENGTH ASTM A-706 STEEL REINFORCING PER CALCS. #30212.
- COVER DESIGNED IN ACCORDANCE WITH HS 20-44 TRAFFIC BRIDGE LOADING.
- CONCRETE MIX USED IN POURING THIS PRODUCT SHALL USE FLY-ASH AS AN ADMIXTURE.
- EACH CONCRETE SECTION SHALL BE MARKED ON THE INSIDE & OUTSIDE WITH "JENSEN PRECAST", THE DESIGNATION "DWP/FA.", AND THE DATE OF POUR.
- EACH CONCRETE SECTION SHALL HAVE CAST-IN ON THE INSIDE "JENSEN PRECAST", THE YEAR, AND THE DESIGNATION "FA".

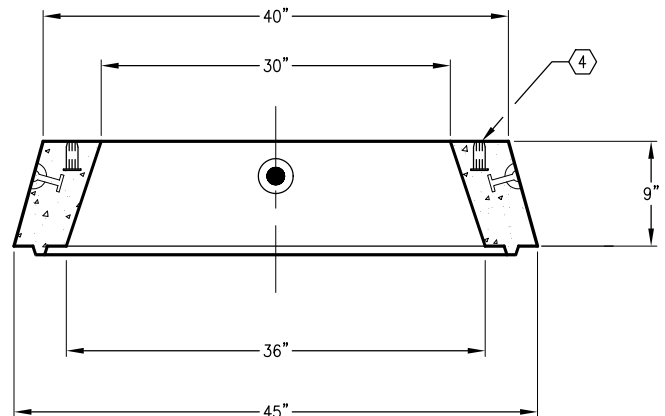
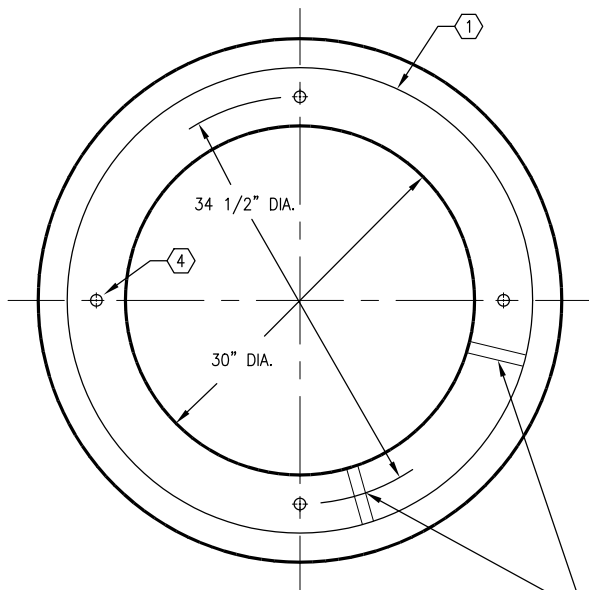
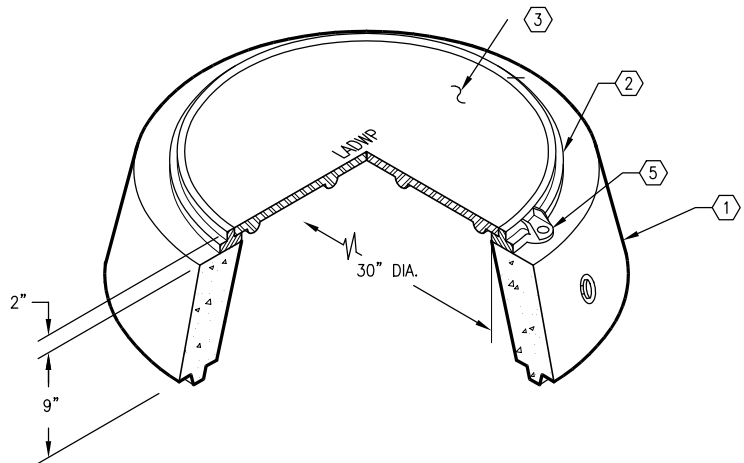
* EXTENSIONS ARE AVAILABLE IN THE FOLLOWING SIZES:

- (a) MN36-R3, 3" EXTENSION RING (07-2068-1). WT. 146#.
- (b) MN36-R6, 6" EXTENSION RING (07-2068-1). WT. 301#.
- (c) MN36-R12, 12" EXTENSION RING (07-2068-1). WT. 602#.

1. MN36-N9-12, 9" TOP CONE SECTION. WT. 430#.
2. A-1106 N/S 30" DIAMETER CAST IRON FRAME. WT. 95#.
3. A-1106 N/S 30" DIAMETER CAST-IRON COVER MARKED "L.A.D.W.P. ELECTRIC". WT. 290#.
4. ● 1/2" P-36-T INSERT. LOCATE AS FOLLOWS: TOP SECTION (4) SURFACE MTD.
5. 1/2" x 5" ADJUSTING BOLTS W/(2) NUTS & WASHERS EACH. (4) REQUIRED.
7. 5/8" x 1 1/2" STAINLESS STEEL HEX HEAD BOLTS, (4) REQ'D.

ORDERING INFORMATION:

360MCN11-LP72 FOR ASSEMBLY AS SHOWN.
 APPROVED FOR L.A.D.W.P. SPEC.
 TOTAL WEIGHT OF ASSEMBLY AS SHOWN IS 815#.



LADDER STEP KNOCKOUTS



AUTOCAD REL. 14

#	DATE	DESCRIPTION	BY

K36-MN11-12T

PER L.A.D.W.P.

03-01-02