

3'-0" x 5'-0" RIVERSIDE PARKWAY INTERCEPT BOX x 4'-0" DEEP

NOTES:

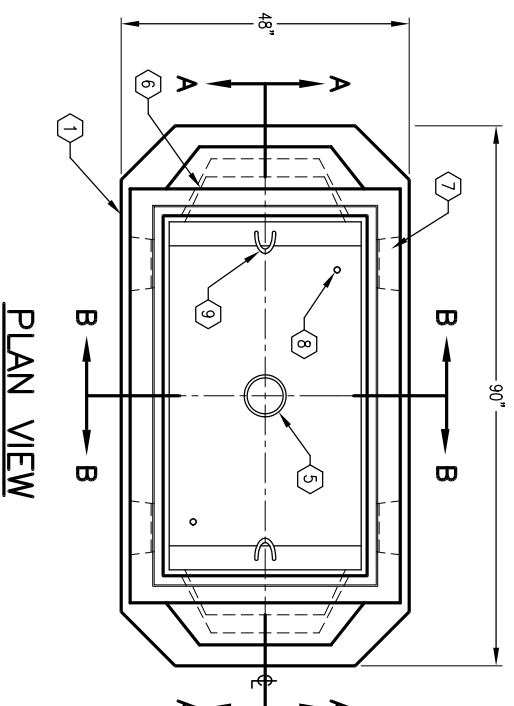
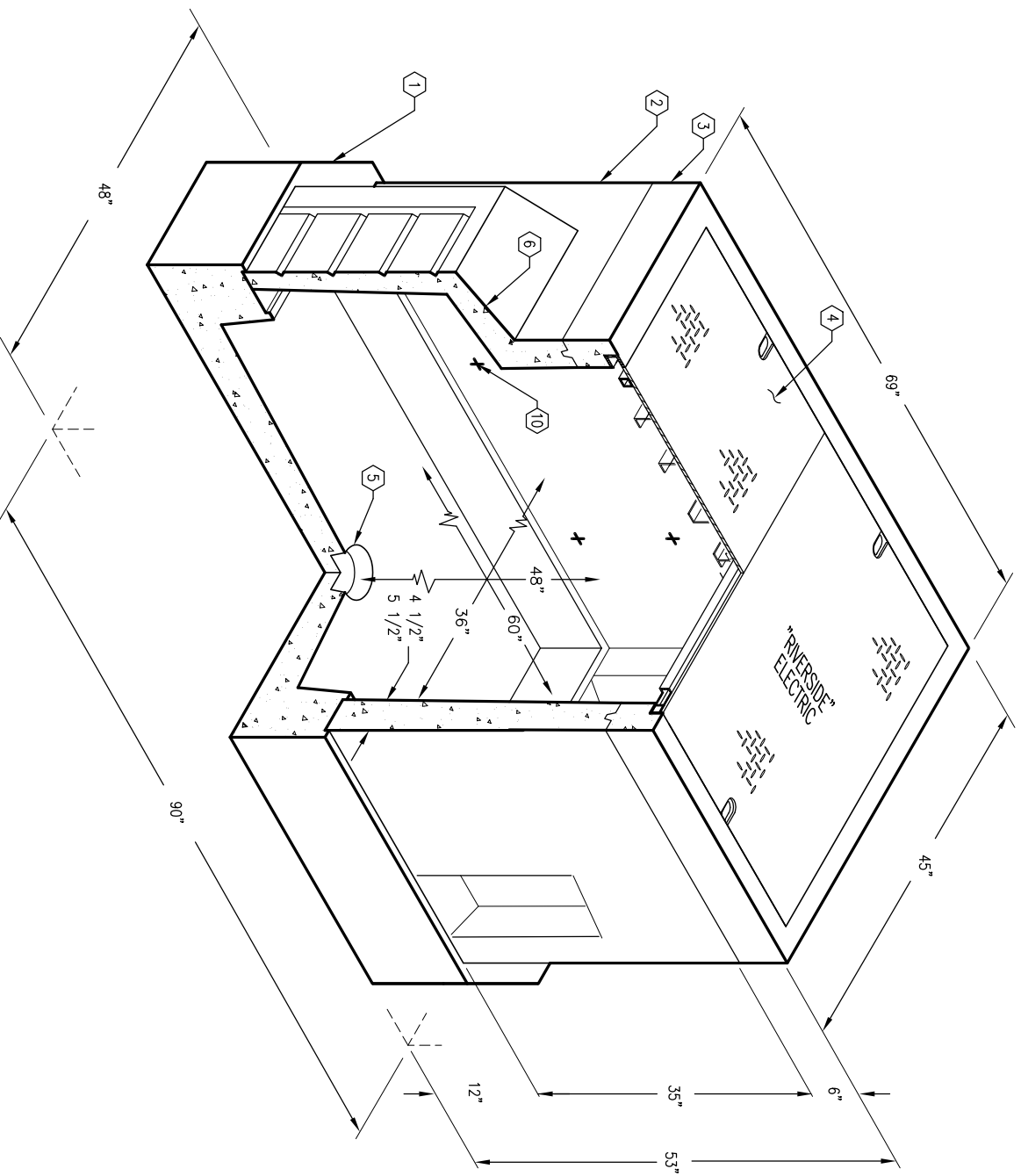
□ PULL IRON BOX DESIGNED IN ACCORDANCE WITH ASHTO H-20-44 TRAFFIC BRIDGE LOADING USING 5,500 PSI COMPRESSIVE STRENGTH CONCRETE AND 60,000 PSI YIELD STRENGTH ASTM A-706 STEEL REINFORCEMENT PER CALC. #31435.

□ COVER DESIGNED FOR PARKWAY LOADING @ 300 PSF PER CALC. #31208.

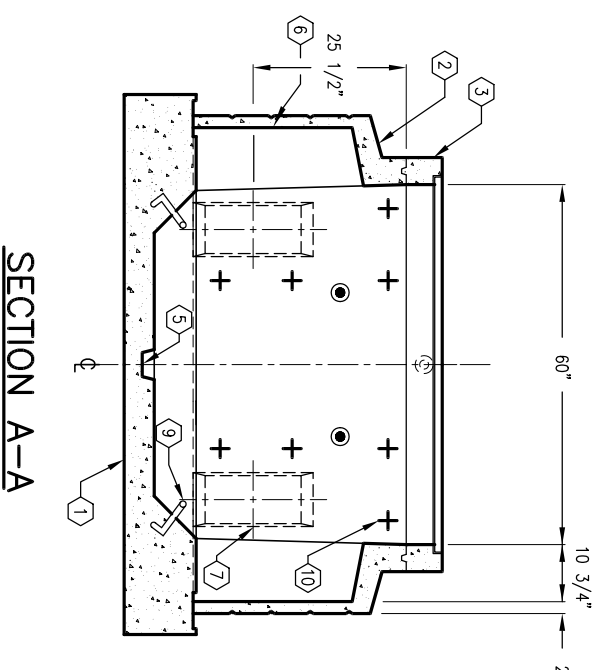
ORDERING INFORMATION:

K3660-D148-21P FOR ASSEMBLY AS SHOWN.
TOTAL WEIGHT OF ASSEMBLY IS 6,541#.

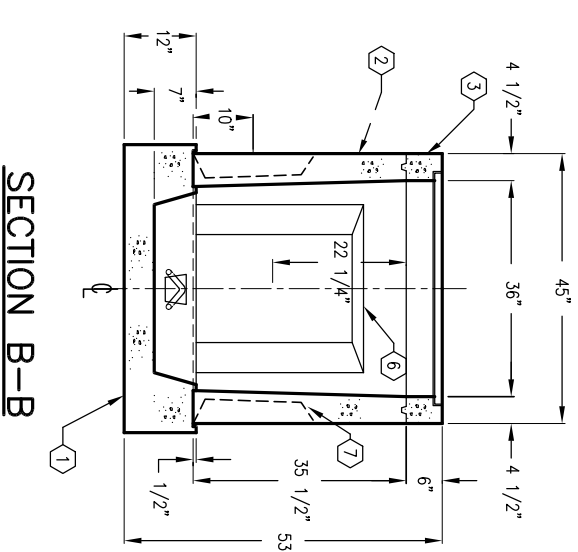
1. PB3660-B7, 7" BOTTOM SECTION, WT. 2,980#.
2. PB3660D-135-05, 35" INTERCEPT SECTION, WT. 2,852#.
3. PB3660-16F, 6" TOP SECTION, W/F3660-P8-ANG GALVANIZED ANGLE FRAME CAST IN, WT. 527#.
4. SC3660-PAL, TWO PIECE BOLT DOWN PARKWAY ALUMINIUM COVER W/(8) 1/2" x 13NC PENNHEAD S.S. BOLTS.
5. 6" DIA. X 7" DIA. SLUMP X 2" DEEP. LOCATE AS FOLLOWS: BOTTOM SECTION (1) CORE MTD. 18" x 24 1/4" KNOCKOUT x 10 3/4".
6. DRAFT AS FOLLOWS: T=1 1/2", S1=6", S2=6", B=0. LOCATE AS FOLLOWS: INTERMEDIATE SECTION (2) CORE MTD.
7. 8" x 16" KNOCKOUT X 4" DEEP. DRAFT AS FOLLOWS: T = 2", S1 = 1/2", S2 = 1/2", B = 2". LOCATE AS FOLLOWS: INTERMEDIATE SECTION (4) SHELL MTD.
8. 1" DIA. BLIND GROUND ROD HOLE. LOCATE AS FOLLOWS: BOTTOM SECTION (2) CORE MTD.
9. 7/8" DIA. X 9" GALVANIZED PULL IRON. LOCATE AS FOLLOWS: BOTTOM SECTION (2) CORE MTD.
10. + 1/2" 1-5000 PLASTIC RACKING INSERT. LOCATE AS FOLLOWS: INTERMEDIATE SECTION (16) CORE MTD.
11. ● 1/2" P-36-T O.B. INSERT. LOCATE AS FOLLOWS: TOP SECTION (8) CORE MTD.



PLAN VIEW



SECTION A-A



SECTION B-B

#	DATE	DESCRIPTION	BY