

8'-0" x 9'-4" PASADENA DUCTED TUNNEL VAULT x 22' LONG

NOTES:

- VAULT DESIGNED IN ACCORDANCE WITH AASHTO H-20-44 TRAFFIC BRIDGE LOADING USING 5,500 PSI [37.92MPa] COMPRESSIVE STRENGTH CONCRETE AND 60,000 PSI [413.2MPa] YIELD STRENGTH ASTM A-706 STEEL REINFORCEMENT PER CALCS. #30344
- VAULT TO BE PLACED ON A MIN. 6" BASE OF CRUSHER RUN FOR EASE OF INSTALLATION AND EVEN LOAD DISTRIBUTION.
- ALL WALLS AND CEILING SHALL BE PAINTED WHITE.

THE FOLLOWING MATERIAL TO BE SHIPPED WITH EACH VAULT:

- (a) 7/8" x 1 3/4" CONSEAL GASKET.

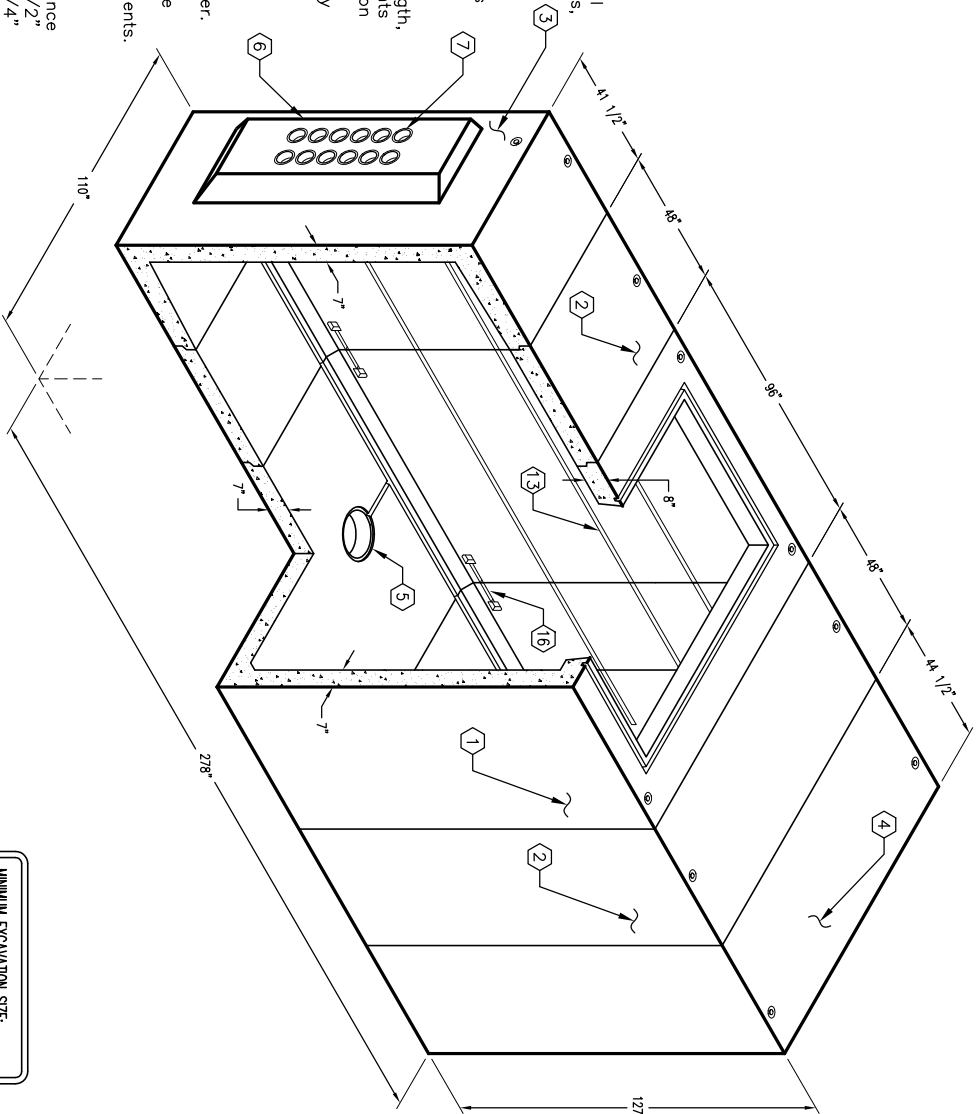
ORDERING INFORMATION:

K894-TV22-2058 FOR ASSEMBLY AS SHOWN.
TOTAL APPROVED FOR PASADENA SPECS.
TOTAL WEIGHT OF ASSEMBLY SHOWN AS IS 87,720 Lbs.

1. TV894-G96-2058, 96" CENTER SECTION W/ 5' x 8' OPENING, WT. 26,000 Lbs
2. TV894-R48-20, 48" EXTENSION SECTION, WT. 13,360 Lbs.
3. TV894-E36-204, 36" END SECTION W/ (4) DUCTS, WT. 17,500 Lbs.
4. TV894-E36-202, 36" END SECTION W/ (2) DUCTS, WT. 17,500 Lbs.
5. 13" x 14" DIA. SUMP x 5 1/2" DEEP. W/COVER. CENTER SECTION. (1) CORE MTD.
6. 18" x 7.5" DUCTED K.O. x 12" DEEP. DRAFTS: T=1", S1=1", S2=7", B=7". END-204 (4) CORE MTD.; END-202 (2) CORE MTD.
7. 5" DIA. CONTERMS. DUCTED K.O. (12) EACH.
8. 5" DIA. K.O. x 2" DEEP. DUCTED K.O. (8) EACH.
9. 2" x 2 1/2" DIA. K.O. x 2" DEEP. DUCTED K.O. (1) EACH.
10. 14" DIA. VENT K.O. x 6" DEEP. GEN. SECTION (4) CORE MTD.; EXT. SECTION (2) EACH CORE MTD.
11. 5/8" COPPER CLAD GROUND ROD x 12" LONG. END SECTION (1) EACH CORE MTD.
12. 1" DIA. BLIND GROUND ROD HOLE. END SECTION (1) EACH CORE MTD.
13. 1 5/8" x 1 5/8" GALV. UNISTRUT. GEN. SECTION (6) @ 95 3/4" CORE MTD.; END-202 (3) @ 32" CORE MTD.; (6) @ 22 1/2" CORE MTD.; END-204 (3) @ 32" CORE MTD.; EXT. SECTION (6) EACH @ 46" CORE MTD.
14. 1" DOUBLE COIL THREAD INSERT. GEN. SECTION (1) CORE MTD.; END-204 (8) CORE MTD.; END-202 (4) CORE MTD.
15. 1 1/2" P-35-T INSERT. END SECTION (2) EACH CORE MTD.
16. 950 BOLT-UP CASTING. GEN. SECTION (8) CORE MTD.; EXT. SECTION (4) EACH CORE MTD.
17. 1" COIL THR.D. INSERT. GEN. SECTION (4) CORE CEILING MTD.; END SECTION (2) EACH CORE CEILING MTD.; EXT. SECTION (2) EACH CORE CEILING MTD.

GENERAL NOTES:

1. Minimum soil bearing capacity is hereby assumed to be 2000 PSF unless otherwise documented by a geotechnical report that shall be provided to Jensen Precast by the end user. Jensen Precast shall not be held responsible for the soil bearing capacity.
2. Installation of Manholes, Vaults, Handholes, Meter Boxes etc. will be as per Jensen installation procedures.
3. Structural modification to the Jensen line of products is not permitted without prior written approval from Jensen Engineering Department. Do not scale the drawings, verify all dimensions including rough openings, if any discrepancies are found, notify the Jensen Engineer immediately.
5. The Jensen Engineer will interpret the intent of the drawings in case of possible conflict or discrepancy.
6. Permissible Variations:
Dimensional Tolerances - The length, width, height, or dia. measurements of the structure when measured on the inside surfaces shall not deviate from design dimensions by more than the following:
Dimensions: Tolerance:
0 to 5 Feet 1/4"
5 to 10 Feet 3/8"
10 to 20 Feet as agreed upon between the supplier and purchaser.
Squares/Tolerances:
The inside of the precast concrete component shall be square as determined by diagonal measurements. The difference between such measurements shall not exceed the following:
Measured Length: Allowable Difference
0 to 10 Feet 1/2"
10 to 20 Feet 3/4"
20 Feet and over as agreed upon between the supplier and purchaser.
- 7.



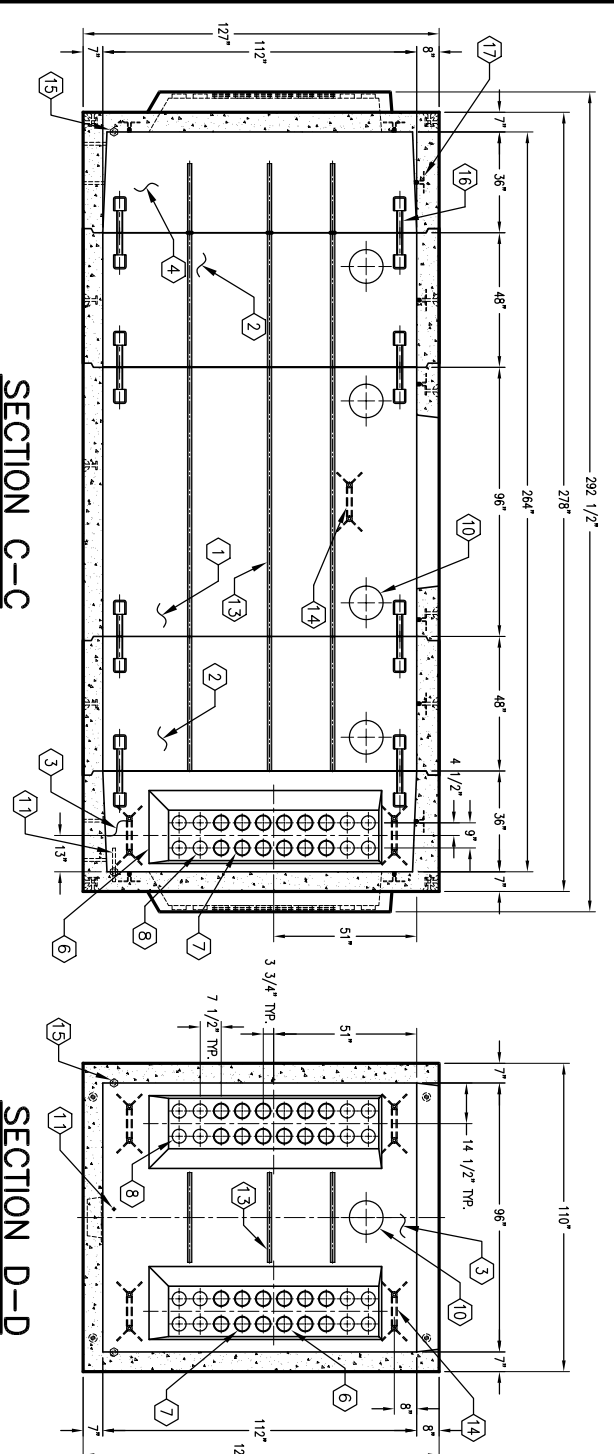
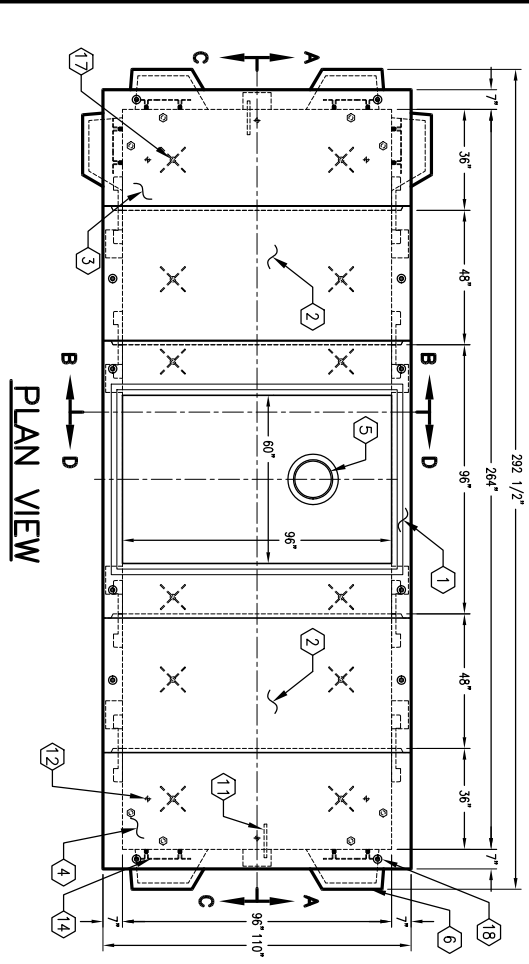
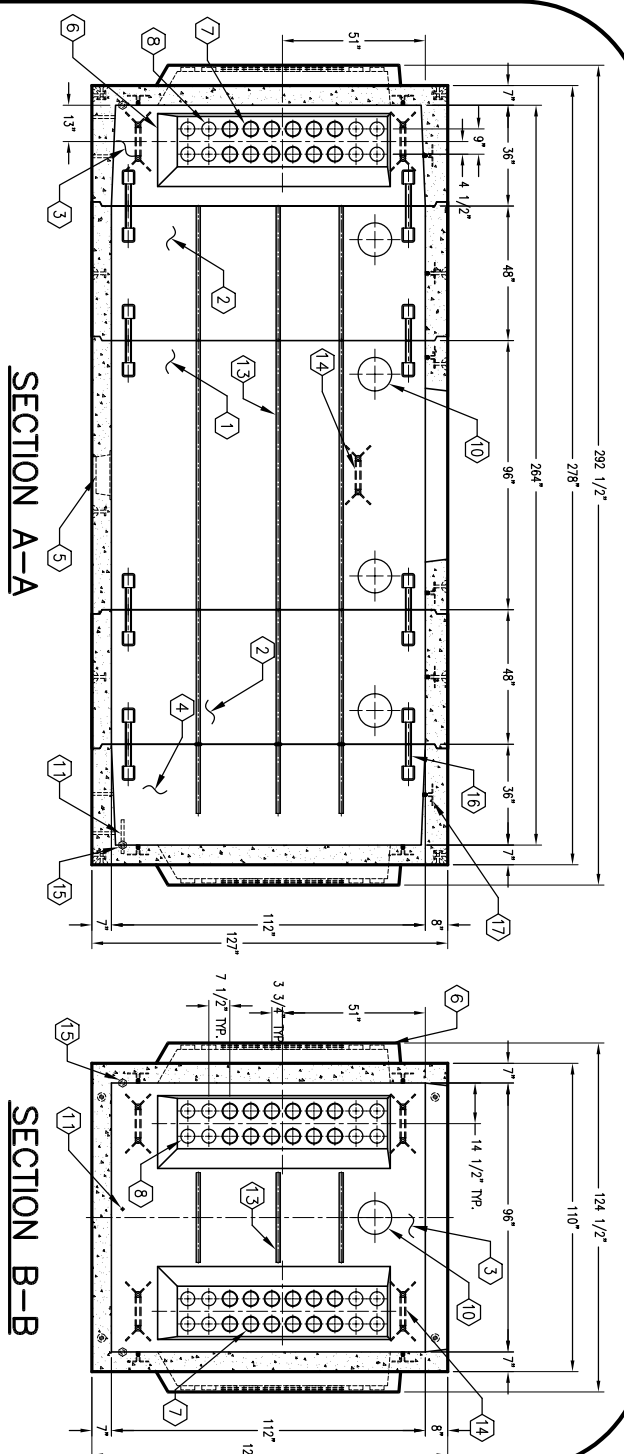
MINIMUM EXCAVATION SIZE:
12'-6" x 26'-6" x DEPTH REQD.

K894-TV22-2058

PER PASADENA SPEC. 03-01-02



AUTOCAD REL. 14



#	DATE	DESCRIPTION	BY

K894-TV22-2058

PER PASADENA SPEC. 03-01-02



AUTOCAD REL. 14