

6'-0" x 10'-0" PASADENA DUCTED VAULT x 7'-0" DEEP

NOTES:

- VAULT DESIGNED IN ACCORDANCE WITH AASHTO H-20-44 TRAFFIC BRIDGE LOADING USING 5,500 PSI [37.92 MPa] COMPRESSIVE STRENGTH CONCRETE AND 60,000 PSI [413.2MPa] YIELD STRENGTH ASTM A-706 STEEL REINFORCEMENT PER CALCS. #31570.
- VAULT TO BE PLACED ON A 6" BASE OF CRUSHER RUN FOR EASE OF INSTALLATION AND EVEN LOAD DISTRIBUTION.
- LIMITS OF COVER OVER ROOF SECTION IS 1'-6" TO 4'-0".
- EACH CONCRETE SECTION SHALL BE STENCILED "JENSEN PRECAST", THE DESIGNATION "PWP" WITH "TIME", "DATE OF POUR", AND PWP STOCK NUMBERS ON THE INTERIOR AND EXTERIOR OF WALLS.
- ALL INTERIOR SURFACES SHALL BE PAINTED WITH ONE COAT OF FLAT LATEX WHITE PAINT.
- NO SHARP OR ROUGH EDGES ON THE TERMINATORS ENTERING THE VAULT.
- NO TRENCHES OR EXCAVATIONS 5' OR MORE IN DEPTH INTO WHICH A PERSON IS REQUIRED TO DESCEND, OR OBTAIN NECESSARY PERMIT FROM THE STATE OF CALIFORNIA, DIVISION OF INDUSTRIAL SAFETY PRIOR TO THE ISSUANCE OF A BUILDING OR GRADING PERMIT.

1. UV610-B24-20, 24" BOTTOM SECTION, WT. 12,156#.
2. UV610-160-20466, 60" TOP SECTION, WT. 16,831#.
3. 13" x 14" DIA. SUMP x 5" DEEP, W/SUMP COVER (08-2102). (08-2102). LOCATE AS FOLLOWS: BOTTOM SECTION (1) TABLE MTD.
4. 24" x 36" DUCTED K.O. x 12" DEEP, W/5" CONTERMS CAST-IN (16). DRAFT AS FOLLOWS: T=2, S1=1", S2=2", B=5". LOCATE AS FOLLOWS: TOP SECTION (2) CORE MTD.
5. 18" x 18" K.O. x 4 1/2" DEEP. DRAFT AS FOLLOWS: T=1" S1=0, S2=1", B=1". LOCATE AS FOLLOWS: TOP SECTION (2) CORE MTD.
6. 10" DIA. VENT K.O. x 5" DEEP. LOCATE AS FOLLOWS: TOP SECTION (2) CORE MTD.
7. 7/8" DIA. x 4 1/2" GALVANIZED PULL IRON. LOCATE AS FOLLOWS: BOTTOM SECTION (2) CORE MTD., TOP SECTION (2) CORE MTD.
8. 1/2" PLASTIC INSERT. LOCATE AS FOLLOWS: TOP SECTION (4) CORE MTD.
9. 1/2" DIA. BRONZE GROUND INSERT WELD TO REINF. LOCATE AS FOLLOWS: TOP SECTION (2) CORE MTD.; BOTTOM SECTION (2) CORE MTD.
13. 1" DIA. BLIND GROUND ROD HOLE. LOCATE AS FOLLOWS: BOTTOM SECTION (2) CORE MTD.
14. 1" DOUBLE COIL THR'D. INSERT. LOCATE AS FOLLOWS: TOP SECTION (1) CORE MTD.
15. 4'-0" x 6'-6" CLEAR OPENING TO RECEIVE K466-VN12-20 VAULT COVER AND NECKING.

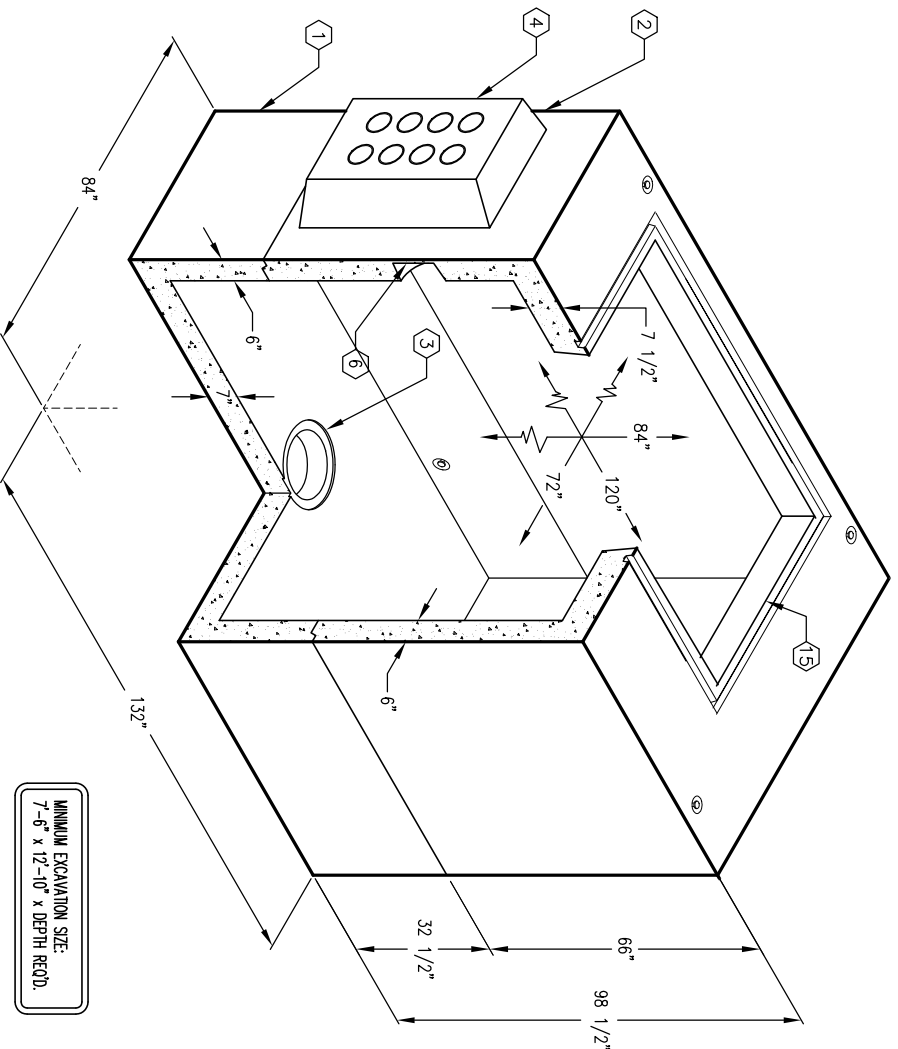
THE FOLLOWING MATERIAL TO BE SHIPPED WITH VAULT:

(Q) 7/8" x 1 3/4" CONSEAL GASKET (45 FT. REQUIRED)

ORDERING INFORMATION:

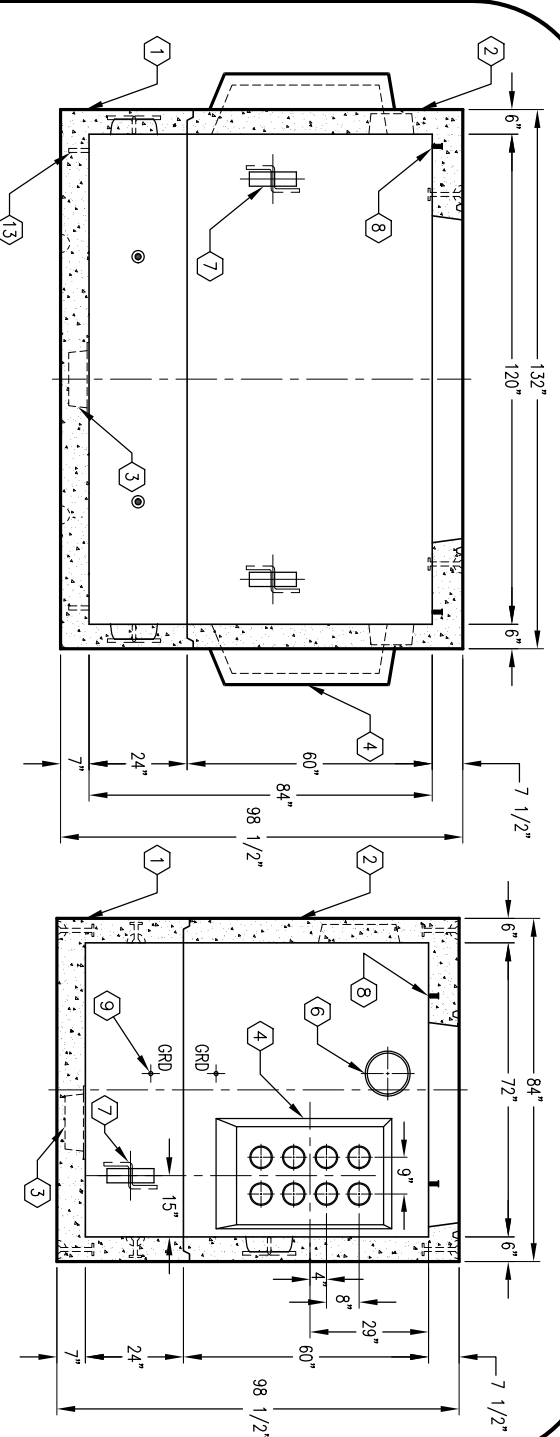
K610-DV84-20466 FOR ASSEMBLY AS SHOWN,
TOTAL WEIGHT OF ASSEMBLY SHOWN IS 28,910#.

- GENERAL NOTES:**
1. Minimum soil bearing capacity is hereby assumed to be 2000 PSF unless otherwise documented by a geotechnical report that shall be provided to Jensen Precast by the end user. Jensen Precast shall not be held responsible for the soil bearing capacity.
 2. Installation of Manholes, Vaults, Handholes, Meter Boxes etc. will be as per Jensen installation procedures.
 3. Structural modification to the Jensen line of products is not permitted without prior written approval from Jensen Engineering Department.
 4. Do not scale the drawings, verify all dimensions including rough openings, if any discrepancies are found, notify the Jensen Engineer immediately.
 5. The Jensen Engineer will interpret the intent of the drawings in case of possible conflict or discrepancy.
 6. Permissible Variations: Dimensional Tolerances - The length, width, height, or dia. measurements of the structure when measured on the inside surfaces shall not deviate form design dimensions by more than the following:
Dimensions: Tolerance:
0 to 5 Feet 1/4"
5 to 10 Feet 3/8"
10 to 20 Feet 1/2"
Squares Tolerance: The inside of the precast concrete component shall be square as determined by diagonal measurements. The difference between such measurements shall not exceed the following:
Measured Length: Allowable Difference
0 to 10 Feet 1/2"
10 to 20 Feet 3/4"
20 Feet and over as agreed upon between the supplier and purchaser.
 - 7.

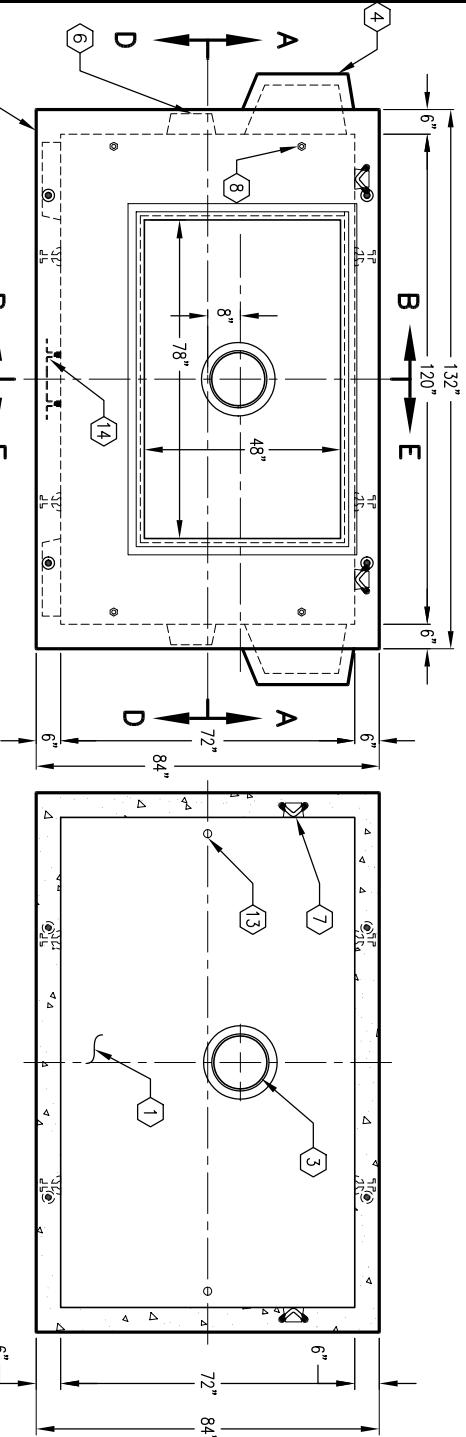


MINIMUM EXCAVATION SIZE:
7'-6" x 12'-10" x DEPTH REQD.

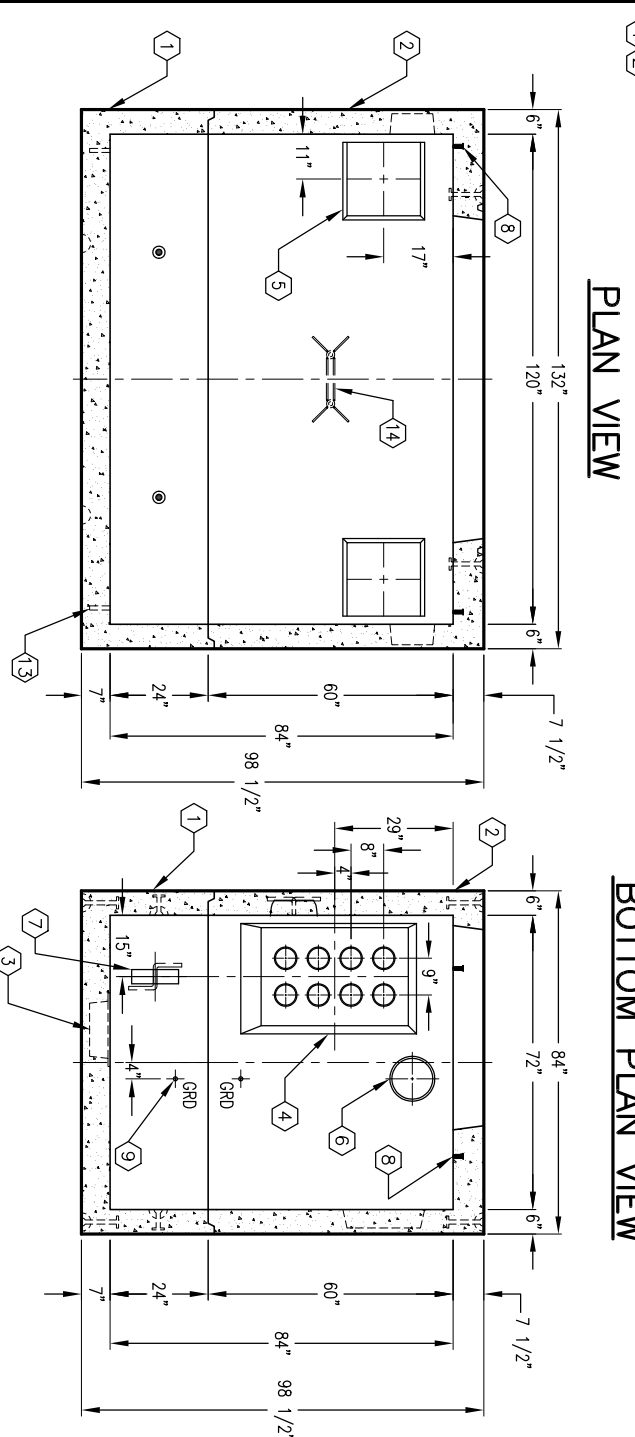
K610-DV84-20466



SECTION A-A



SECTION B-B



PLAN VIEW

BOTTOM PLAN VIEW

SECTION D-D

SECTION E-E

#	DATE	DESCRIPTION	BY

K610-DV84-20466