

6'-0" x 8'-3" GLENDALE TRANSFORMER PAD W/4'-0" x 7'-0" PARKWAY ENCLOSURE x 3'-6" DEEP

NOTES:

- CONCRETE DESIGNED IN ACCORDANCE WITH AASHTO H-20-44 TRAFFIC LOADING USING 5,500 PSI [37.92 MPa] COMPRESSIVE STRENGTH CONCRETE AND 60,000 PSI [413.2 MPa] YIELD STRENGTH ASTM A-706 STEEL REINFORCEMENT PER CALCS. #30207.
- VAULT BE PLACED ON A MIN. 6" BASE OF CRUSHER RUN FOR EVEN LOAD DISTRIBUTION AND EASE OF INSTALLATION.
- COVER IS DESIGNED FOR PARKWAY LOADING PER CALCS. #30448.
- CONCRETE MIX USED IN POURING THIS PRODUCT SHALL USE FLY ASH AS AN ADMIXTURE.
- EACH CONCRETE SECTION SHALL BE MARKED ON THE INSIDE & OUTSIDE WITH "JENSEN PRECAST", THE DESIGNATION "DWP/FA", AND THE DATE OF POUR.
- EACH CONCRETE SECTION SHALL HAVE CAST-IN ON THE INSIDE "JENSEN", THE YEAR, AND THE DESIGNATION "FA".

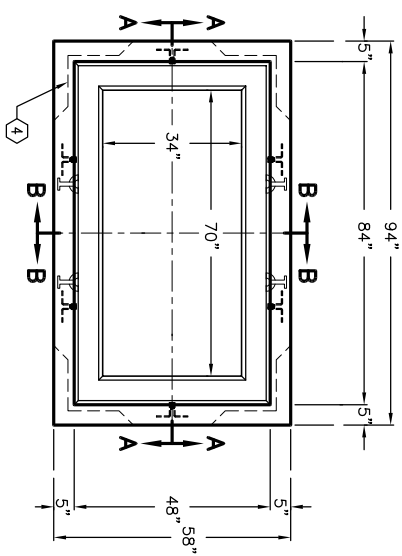
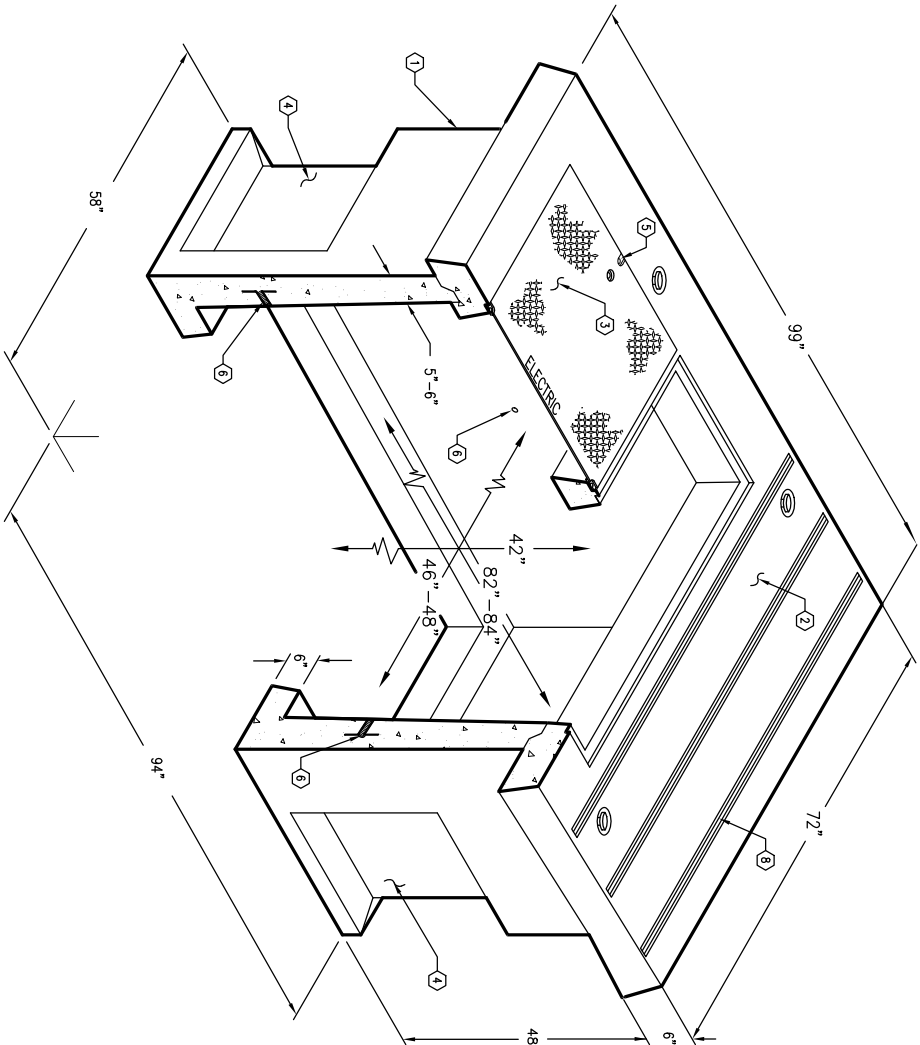
ORDERING INFORMATION:

K68-SB42-19 FOR ASSEMBLY AS SHOWN.
 APPROVED FOR CITY OF GLENDALE SPEC. S-1403-01
 TOTAL WEIGHT OF ASSEMBLY AS SHOWN IS 9,117 Lbs.

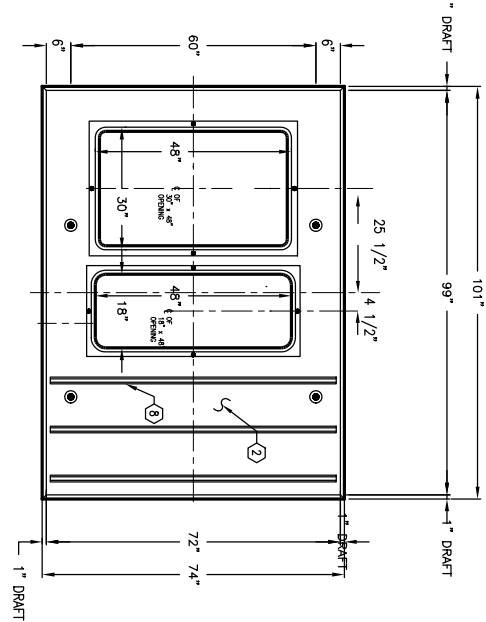
GENERAL NOTES:

1. Minimum soil bearing capacity is hereby assumed to be 2000 PSF unless otherwise documented by a geotechnical report that shall be provided to Jensen Precast by the end user. Jensen Precast shall not be held responsible for the soil bearing capacity.
2. Installation of Manholes, Vaults, Handholes, Meter Boxes etc. will be as per Jensen installation procedures.
3. Structural modification to the Jensen line of products is not permitted without prior written approval from Jensen Engineering Department.
4. Do not scale the drawings, verify all dimensions including rough openings, if any discrepancies are found, notify the Jensen Engineer immediately.
5. The Jensen Engineer will interpret the intent of the drawings in case of possible conflict or discrepancy.
6. Permissible Variations: Dimensional Tolerances – The length, width, height, or dia. measurements of the structure when measured on the inside surfaces shall not deviate from design dimensions by more than the following:
 Dimensions: Tolerance:
 0 to 5 Feet 1/4"
 5 to 10 Feet 3/8"
 10 to 20 Feet as agreed upon between the supplier and purchaser.
 Squareness Tolerance: he inside of the precast concrete component shall be square as determined by diagonal measurements. The difference between such measurements shall not exceed the following:
 Measured Length: Allowable Difference
 0 to 10 Feet 1/2"
 10 to 20 Feet 3/4"
 20 Feet and over as agreed upon between the supplier and purchaser.
- 7.

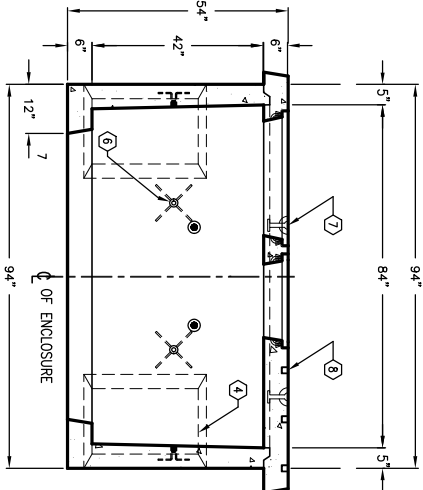
1. SB47-B42-12, 42" BOTTOM SECTION), WT. 6,400 lbs.
2. P07296-16-12, 6" TRANSFORMER PAD. WT. 2,588 lbs.
3. SC3048-PAGV-19, ONE PIECE PARKWAY COVER W/(2) 1/2" x 1 1/4" S.H.H.S. BOLT (2) PICK HOLES, GALV. FINISH. WT. 129 lbs. MARK 'C' OF G. ELECTRIC.
4. 16" x 26" CORNER KNOCKOUT x 3 1/2" DEEP. DRAFT AS FOLLOWS: T=2", S1=S2=3 1/2", B=2". LOCATE AS FOLLOWS: BOTTOM SECTION (8) SHELL MTD.
5. @ 1/2" P-35-T INSERT W/CLEAN-OUT HOLE. LOCATE AS FOLLOWS: TRANSFORMER PAD (2) FRAME MTD.
6. X 1" GALV. COIL THRD INSERT. LOCATE AS FOLLOWS: BOTTOM SECTION (6) CORE. MTD., (2) SHELL MTD.
8. 1 5/8" x 1 5/8" x 12 GAUGE STRUT x 70" LONG. (UNISTRUT P3200 SERIES) (3 REQ'D).



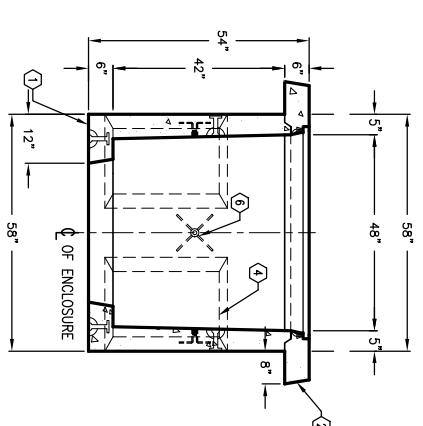
PLAN VIEW W/O TRANSFORMER PAD



PLAN VIEW OF TRANSFORMER PAD



SECTION A-A



SECTION B-B

MINIMUM EXCAVATION SIZE:
 5'-6" x 8'-6" x DEPTH REQ'D.



AUTOCAD REL. 14

K68-SB42-19

PER CITY OF GLENDALE SPEC. S-1403-01 03-01-02



#	DATE	DESCRIPTION	BY

K68-SB42-19

PER CITY OF GLENDALE SPEC. S-1403-01 03-01-02