

4'-0" x 6'-6" GLENDALE PARKWAY FLAT WALL SWITCH ENCLOSURE x 6'-0" DEEP

NOTES:

- CONCRETE IS DESIGNED FOR H-20-44 TRAFFIC LOADING USING 5,500 PSI [37.92 MPa] COMPRESSIVE STRENGTH CONCRETE AND 60,000 PSI [413.2 MPa] YIELD STRENGTH ASTM A-706 STEEL REINFORCEMENT PER CALC. #30203 & #30352.
- COVER DESIGNED FOR PARKWAY LOADING @ 300 PSF.
- PULL BOX TO BE PLACED ON A 6" BASE OF GRUSHER RUN FOR EASE OF INSTALLATION AND EVEN LOAD DISTRIBUTION.

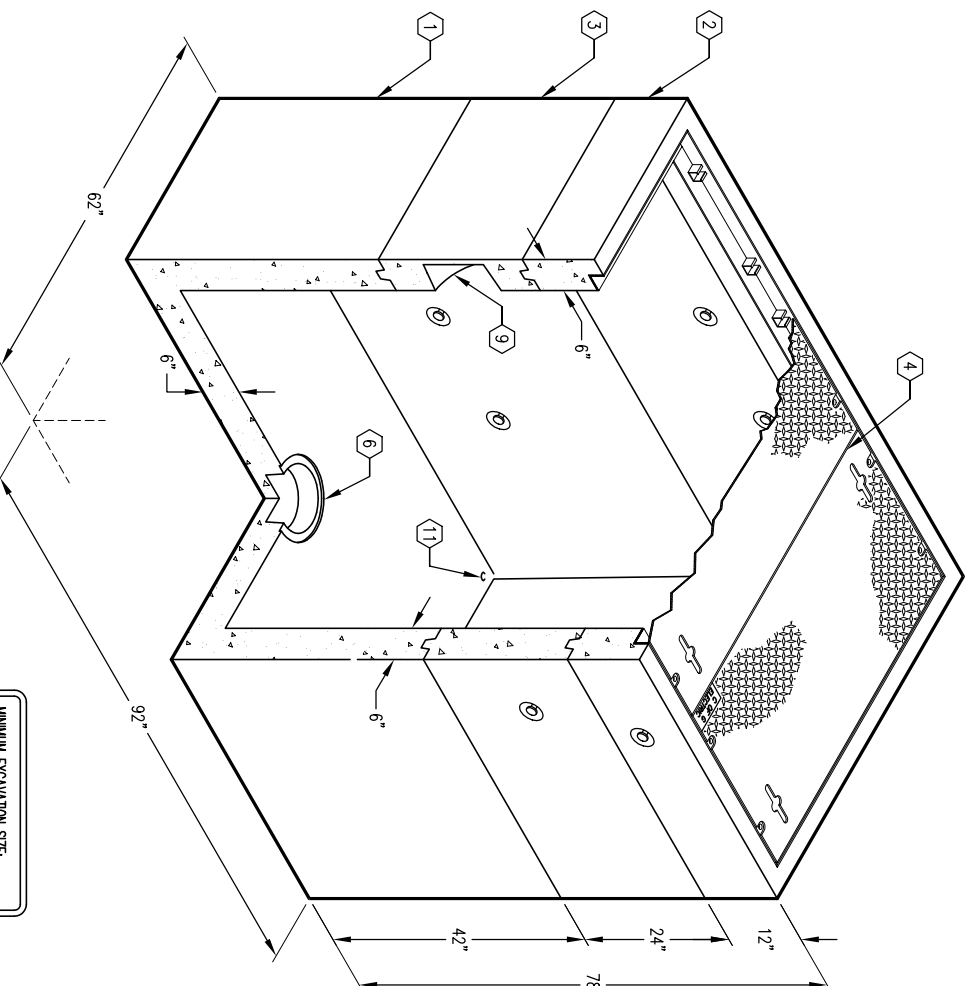
ORDERING INFORMATION

K466-SE72-19P FOR ASSEMBLY AS SHOWN.
 APPROVED FOR GLENDALE POWER SPECS.
 TOTAL WEIGHT AS SHOWN IS 13,004 Lbs.

GENERAL NOTES:

1. Minimum soil bearing capacity is hereby assumed to be 2000 PSF unless otherwise documented by a geotechnical report that shall be provided to Jensen Precast by the end user. Jensen Precast shall not be held responsible for the soil bearing capacity.
2. Installation of Manholes, Vaults, Handholes, Meter Boxes etc. will be as per Jensen installation procedures.
3. Structural modification to the Jensen line of products is not permitted without prior written approval from Jensen Engineering Department.
4. Do not scale the drawings, verify all dimensions including rough openings. If any discrepancies are found, notify the Jensen Engineer immediately.
5. The Jensen Engineer will interpret the intent of the drawings in case of possible conflict or discrepancy.
6. Permissible Variations: Dimensional Tolerances – The length, width, height, or dia. measurements of the structure when measured on the inside surfaces shall not deviate form design dimensions by more than the following: Tolerance: 0 to 5 Feet 1/4" 5 to 10 Feet 3/8" 10 to 20 Feet as agreed upon between the supplier and purchaser. Squareness Tolerance: he inside of the precast concrete component shall be square as determined by diagonal measurements. The difference between such measurements shall not exceed the following: Measured Length: Allowable Difference 0 to 10 Feet 1/2" 10 to 20 Feet 3/4" 20 Feet and over as agreed upon between the supplier and purchaser.
- 7.

1. PB466-B36-19, 36" BOTTOM SECTION. WT. 7,527 Lbs.
2. PB466-T12-08P, 12" TOP SECTION W/ (F466-PB-BD) FRAME CAST-IN. WT. 1,683 Lbs.
3. PB466-R24-19, 24" RISER SECTION. WT. 3,412 Lbs.
4. CA466-PR-19, 3 PIECE PARKWAY COVER (SC466-RD) W/(2) LOOSE I-BEAMS (SCB466-247), (12) 1/2"-13MC x 2 1/2" S.S.H.H. BOLTS FOR BOLT DOWN, (6) FLUSH LIFT HANDLES, AND RED OXIDE PRIMER FINISH. WT. 422 Lbs.
5. 3/4" x 10" ADJUSTING BOLTS. LOCATE AS FOLLOWS: TOP SECTION, (4) CORE MTD. (NOT SHOWN) 12" x 13" DIA. SUMP x 4" DEEP. LOCATE AS FOLLOWS: BOTTOM SECTION, (1) CORE MTD.
6. 5" DIA CONTERM SLEEVES. LOCATE AS FOLLOWS: BOTTOM SECTION, (16) TOTAL REQ'D. 10" x 11" DIA VENT KNOCKOUT x 5" DEEP. LOCATE AS FOLLOWS: EXTENSION SECTION, (2) CORE MTD.
7. 1" DIA BLIND GROUND ROD HOLE. LOCATE AS FOLLOWS: BOTTOM SECTION, (2) CORE MTD. 1" COIL THREADED INSERT. LOCATE AS FOLLOWS: BOTTOM SECTION, (4) CORE MTD.
- 8.
- 9.
- 10.
- 11.
- 12.



MINIMUM EXCAVATION SIZE:
 6'-2" x 8'-6" x DEPTH REQ'D.

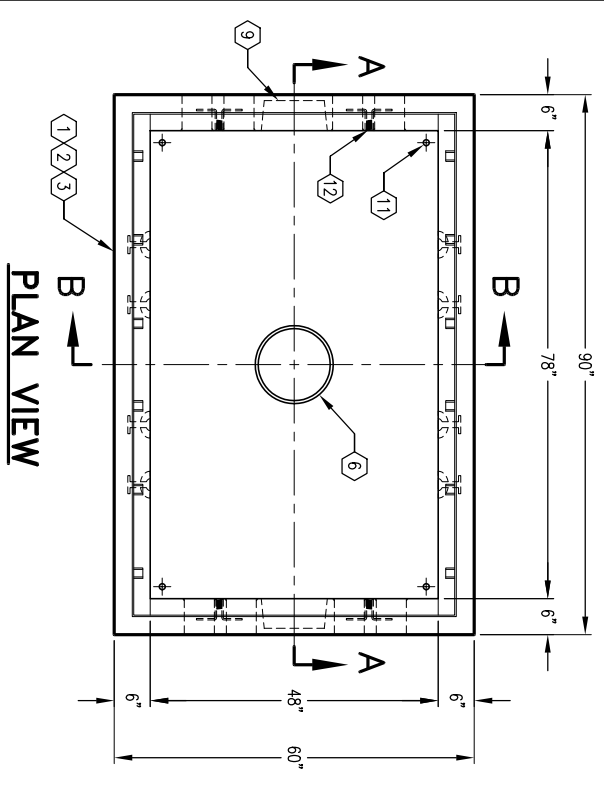


AUTOCAD REL. 14

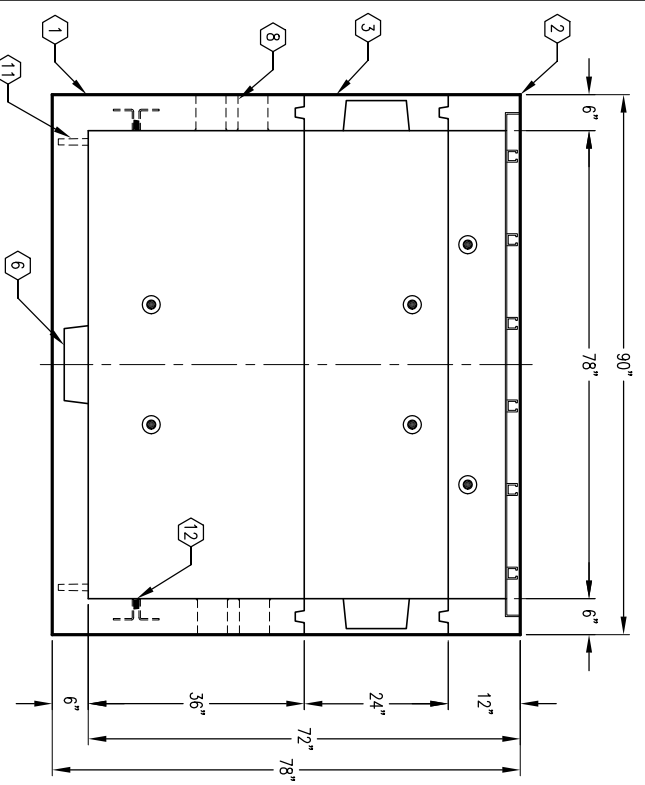
K466-SE72-19P

PER GLENDALE POWER SPECS.

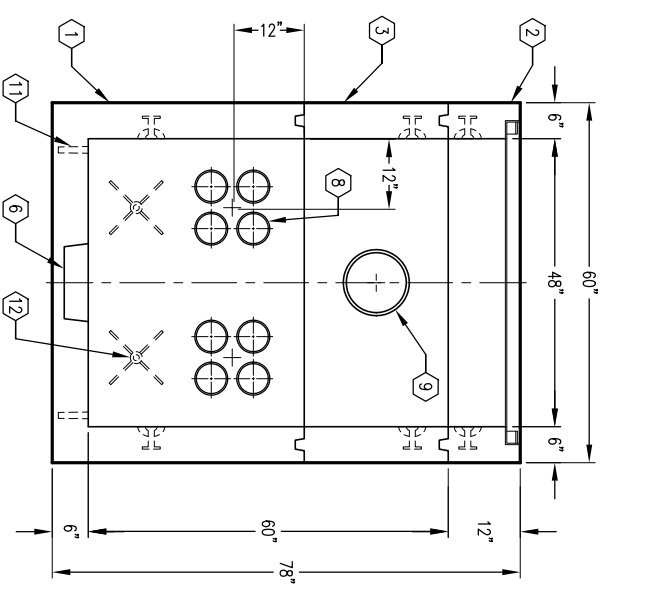
03-01-02



PLAN VIEW



SECTION A-A



SECTION B-B



#	DATE	DESCRIPTION	BY

K466-SE72-19P

PER GLENDALE POWER SPECS.

03-01-02