

3'-0" x 5'-0" GLENDALE DUCTED PULL BOX x 50" DEEP

NOTES:

- PULL BOX DESIGNED IN ACCORDANCE WITH ASHTO H-10 TRAFFIC LOADS. CONCRETE FINISHING 5,500 PSI COMPRESSIVE STRENGTH CONCRETE AND 60,000 PSI YIELD STRENGTH ASTM A-706 STEEL REINFORCEMENT.
- PULL BOX TO BE PLACED ON A MIN. 6" BASE OF CRUSHED RUM FOR EASE OF INSTALLATION AND EVEN LOAD DISTRIBUTION.
- COVER DESIGNED FOR PARKWAY LOADING @ 300 PSF OR H-20-44 TRAFFIC LOADING.

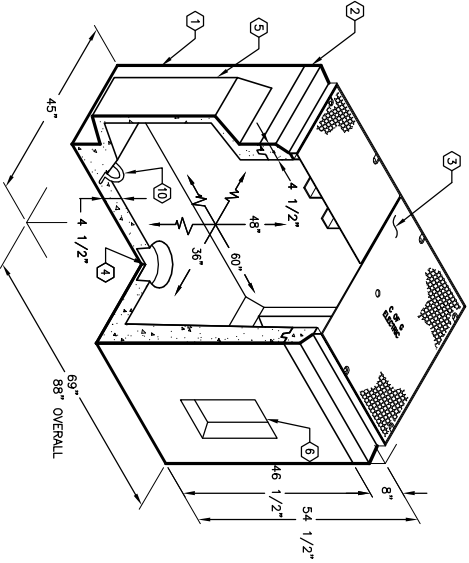
ORDERING INFORMATION:

APPROVED PER CITY OF GLENDALE SPECS.
TOTAL WEIGHT OF ASSEMBLY SHOWN IS 5,433 lbs.

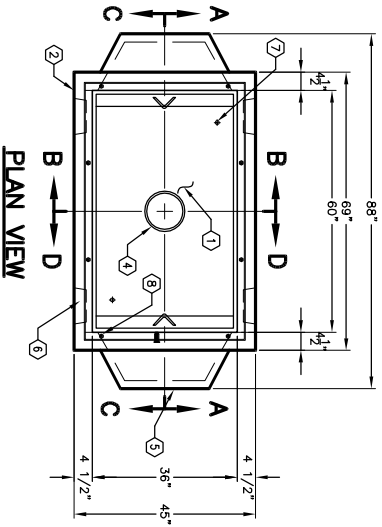
PARKWAY ASSEMBLY WITH POLYMER CONCRETE B/D COVER K3660-DP50-19P. LIGHT TRAFFIC ASSEMBLY WITH STEEL B/D COVER K3660-DP50-19LT.

GENERAL NOTES:

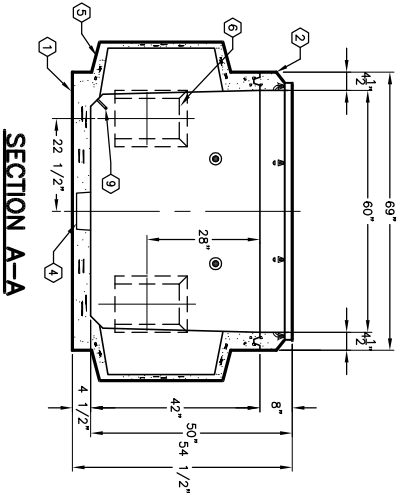
1. Minimum soil bearing capacity is hereby assumed to be 2000 PSF unless otherwise documented by a geotechnical report that shall be the responsibility of the engineer. The soil user, engineer, fabricator shall not be held responsible for the soil bearing capacity.
2. Installation of Manholes, Vaults, Handholes, Meter Boxes etc. will be in accordance with the manufacturer's installation procedures.
3. Structural modification to the Jensen line of products is not permitted without prior written approval from Jensen.
4. Do not scale the drawings, verify all dimensions including rough openings, if any discrepancies are found, notify the Jensen Engineer.
5. The Jensen Engineer will interpret the intent of the drawings in case of possible conflict or discrepancy.
6. Permissible Variations - The length, width, height, or dia. measurements of the structure when measured on the inside surfaces shall not deviate from design dimensions by more than the following tolerances:
0 to 5 Feet 1/4"
5 to 10 Feet 3/8"
10 to 20 Feet as agreed upon between the supplier and purchaser.
7. Squares/levelness - All structural concrete components shall be square as determined by diagonal measurements. The difference between such measurements shall not exceed the following: Allowable Difference Between Measurements:
0 to 10 Feet 1/2"
10 to 20 Feet 3/4"
20 Feet and over as agreed upon between the supplier and purchaser.



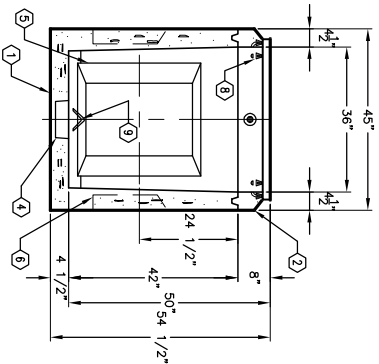
1. PB36600-B42-05, 42" BOTTOM SECTION, WT. 4,448 lbs.
2. PB36600-B42-05, 42" TOP SECTION, W/GALV. ANGLE FRAME (K3660-19P-ANG)
- 3A. SC3660-TR0, 2 PIECE TRAFFIC COVER, RED PRIMER FINISH, MARKED "C" OF G ELECTRIC, WT. 426 lbs.
- 3B. 12-20-38, 2 PIECE PARKWAY POLYMER CONCRETE COVER, MARKED "C" OF G ELECTRIC, WT. 428 lbs.
4. 6" x 16" DIA. GALV. ANGLE, 120" SECTION.
5. 26" x 36" 1/2" DUCTED K/CEP, 12" DEEP BOTTOM SECTION.
6. 10" x 16" K/O. x 3" DEEP BOTTOM SECTION.
7. 1" DIA. BLIND GROUND ROD HOLE, BOTTOM SECTION.
8. 1/2" P-35-T INSERT W/CLEAN-OUT HOLE, TOP SECTION.
9. 7/8" DIA. X 9" GALV. VERTICAL PULL IRON, BOTTOM SECTION.



PLAN VIEW



SECTION A-A



SECTION B-B

MINIMUM DIMENSION SIZE:
4 1/4" x 1 1/4" x 1/2" MIN. REQD.

#	DATE	DESCRIPTION	BY
1	10-16-06	ISSUED TO RFP COVER	BB

K3660-DP50-19
PER CITY OF GLENDALE SPECS. 03-01-02

JANSEN
PRECAST
AUTOCAD REL. 14

#	DATE	DESCRIPTION	BY

K3660-DP50-19
PER CITY OF GLENDALE SPECS. 03-01-02