

3'-6" GLENDALE PARKWAY BURD TRANSFORMER ENCLOSURE x 6'-7" DEEP

NOTES:

CONCRETE DESIGNED IN ACCORDANCE WITH AASHTO H-20-44 TRAFFIC BRIDGE LOADING USING 5,500 PSI [37.92MPa] COMPRESSIVE STRENGTH CONCRETE AND 60,000 PSI [413.2MPa] YIELD STRENGTH ASTM A-706 STEEL REINFORCEMENT PER CALC. #31641.

TO BE PLACED ON A LEVEL MIN. 6" BASE OF CRUSHER RUN FOR EVEN LOAD DISTRIBUTION AND EASE OF INSTALLATION.

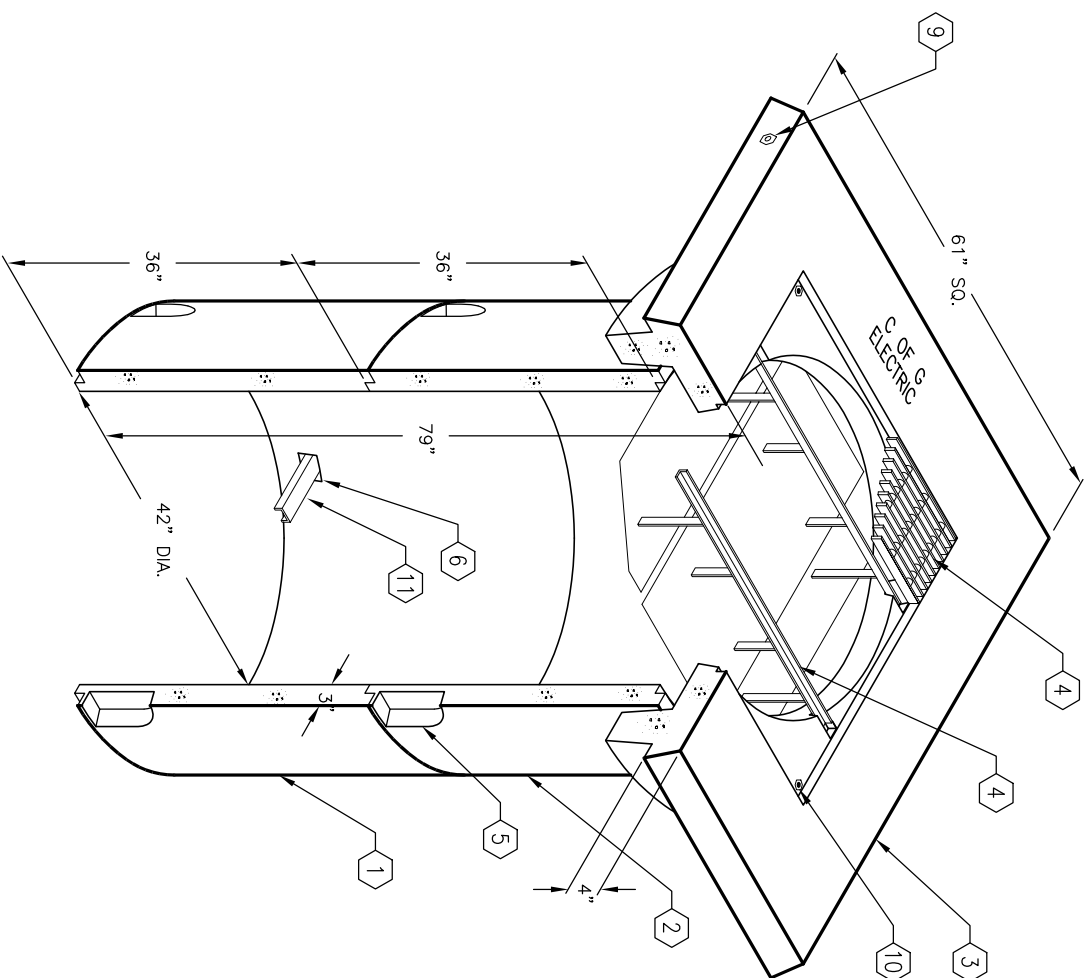
THE FOLLOWING MATERIAL TO BE SHIPPED WITH EACH VAULT:

- (a) 3/4" x 4" BOLT COIL (4 REQ'D)
- (b) 3/4" HEX COIL NUT PYD. (8 REQ'D)
- (c) 3/4" WASHER CUT PLATED. (4 REQ'D)

ORDERING INFORMATION:

K42-BTV79-19S FOR ASSEMBLY AS SHOWN
 APPROVED PER GLENDALE SPECS.
 TOTAL ASSEMBLY WT. 4,273 Lbs.

1. BTV42-136-16, 36" INTERMEDIATE SECTION, WT. 1315 Lbs.
2. BTV42-136-11, 36" INTERMEDIATE SECTION, WT. 1320 Lbs.
3. BTV42-T6-19, 4" ROOF SECTION, WT. 1509 Lbs.
4. S642-50G, SIDEWALK GRATE W/ EXPANDED METAL, W/ (SFR42-11) STEEL BAFFLE, (4) 3/8"-13NC x 1 1/2" STAINLESS STEEL PENTAHEAD BOLTS, GALVANIZED ASS'Y, WT. 129 Lbs.
5. 5" x 6" K.O. x 2" DEEP. DRAFT AS FOLLOWS: T=1 3/8", S=1 3/8", S2=1 3/8", B=0". LOCATE AS FOLLOWS: (6) IN EACH INT. SECT. SHELL MTD.
6. 2 1/2" x 2 1/2" THRU HOLES TO ACCOMMODATE SWITCH SUPPORT CHANNELS. DRAFT AS FOLLOWS: T=1/2", S=1 1/2", S2=1/2", B=1/2". LOCATE (4) SHELL MTD. INT 136-3
7. 2 1/4" DIA K.O. x 2 1/4" DEEP. DRAFT AS FOLLOWS: 1/4" LOCATE (2) SHELL MTD. IN EACH INT. SECT.
8. 1 1/4" WIDE x 1" DEEP GROOVE FOR BAFFLE. LOCATE (4) TABLE MTD. IN ROOF SECT.
9. 1/2" P-36-T INSERT, LOCATE (2) TABLE MTD. AND (4) RAIL MTD. IN ROOF SECT.
10. 3/8" P-25-T INSERT, LOCATE (4) TABLE MTD. IN ROOF SECT.
11. 1" x 2" x 3/16" SWITCH SUPPORT CHANNEL x 42" LONG (GALV) (08-2169) (2) REQ. PER ASS'Y.
12. 3/4" x 5" COIL THD. BOLT & NUT FOR GRADE ADJUSTMENT (4) REQ.
13. 36" x 38" SQUARE OF WEATHER RESISTANT CARDBOARD x 3/16" THICK, PAINTED BRIGHT ORANGE AND SECURED TO GRATE TO PREVENT DEBRIS FROM ENTERING ENCLOSURE AFTER INSTALLATION.



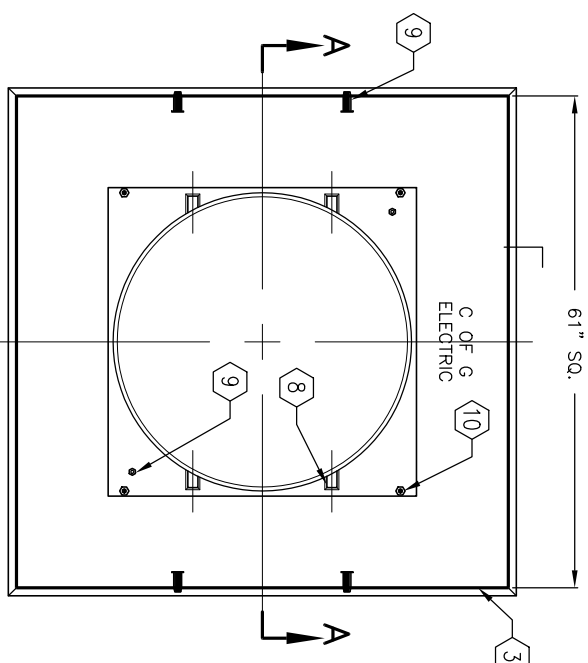
MINIMUM EXCAVATION SIZE:
 61" DIA. x DEPTH REQ'D. PLUS
 ALLOWANCE FOR ROOF SECTION

K42-BTV79-19S

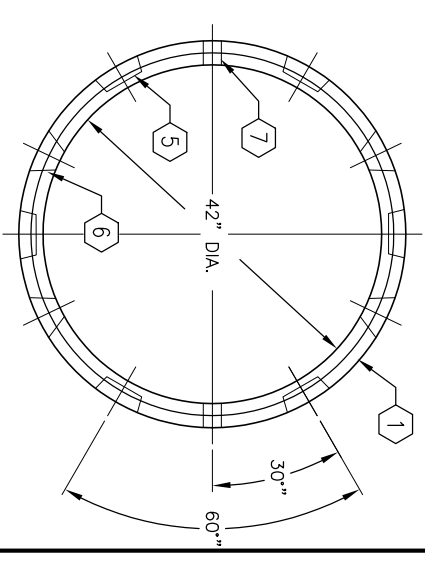
AUTOCAD REL. 14



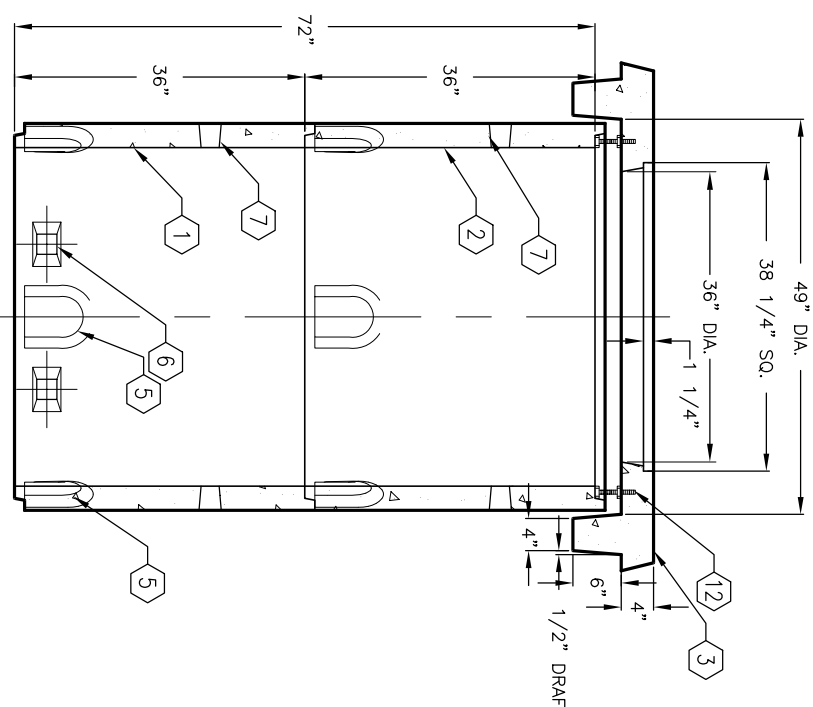
PLAN VIEW OF TOP CAP



PLAN VIEW OF INTERMEDIATE



SECTION A-A



#	DATE	DESCRIPTION	BY

K42-BTV79-19S

AUTOCAD REL. 14

