

# 5'-0" x 8'-6" SURFACE OPERABLE PARKWAY ENCLOSURE x 60" DEEP

MATERIAL LIST - K586-SE60-11P				
ITEM	PART NO.	DESCRIPTION	CAGE NO. / LOCATE	WEIGHT/ MOUNT
1	PB586-B61-11	6" BOTTOM SECTION	CG-586-B61-11(B)	16, 115 lbs
2	PB586-TB-11	8" TOP SLAB	CG-586-TB-11-XXX	2,800 lbs
	F586-SE-11	CAST-IN GALVANIZED ANGLE FRAME-GLUE GASKET 25-20-13		
	SCB586-SE11	TWO REMOVABLE BEAMS		
3	12-20-XX 20-10-419	(3) 30" x 48" POLYMER CONCRETE COVER MARKED "CORONA ELECTRIC"		105 lbs
5		(6) 1/2" x 2-1/2" S.S.P.H. BOLTS w/CAPTIVE WASHER EA. COVER		
6		1" DIA. x 4" HOLE	TOP SLAB	(4) SURFACE
6		13" DIA. SUMP x 5" DEEP W/ RECESS FOR 15" PLATE	BOTTOM SECTION	(1) CORE
		15-1/4" DIA x 1/4" DEEP RECESS FOR COVER		
7	55-30-52	5" DIA. CONTERM WITH LOCATOR FOR 6" WALLS	BOTTOM SECTION	(16) SHELL
8	55-30-80	10" DIA. (1)PC PLASTIC VENT TERMINATOR	BOTTOM SECTION	(2) CORE
9	55-10-416	1/2" P-35-T INSERT w/CLEAN OUT HOLE	TOP SLAB	(14) FRAME
10	55-10-425	1/2" BRONZE GROUND INSERT WELD TO REBAR	BOTTOM SECTION	(4) CORE
11	55-10-422	1/2" GALV. NG LOOP INSERT FOR "J" BOLTS	BOTTOM SECTION	(4) CORE
15	55-35-06	7/8" EXPOSED GALV. PULL IRON	BOTTOM SECTION	(4) CORE

**NOTES:**

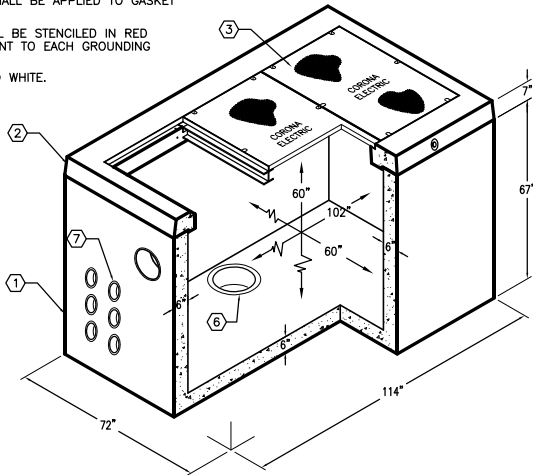
- SWITCH ENCLOSURE TO BE PLACED ON A MIN. 6" BASE OF CRUSHER RUN FOR EASE OF INSTALLATION AND EVEN LOAD DISTRIBUTION.
- VAULT DESIGNED PER AASHTO HS 20-44 TRAFFIC BRIDGE LOADING USING 5,500 PSI. COMPRESSIVE STRENGTH CONCRETE AND 60,000 PSI. (GRADE 60) REINFORCING STEEL PER CALC. #31647.
- TOP SLAB DESIGNED FOR PARKWAY LOADING OF 350 PSF USING 5,500 PSI. COMPRESSIVE STRENGTH CONCRETE AND 60,000 PSI. (GRADE 60) REINFORCING STEEL PER CALC. #31647.
- COVERS DESIGNED FOR PARKWAY LOADING OF 350 PSF PER UGS 618. NO LIFTING INSERTS SHALL BE INSTALLED IN FLOOR OF BOTTOM SECTION OR IN TOP SURFACE OF TOP SLAB.
- THE EPDM GASKET SHALL BE GLUED IN PLACE USING 3M SCOTCH-GRIP BRAND #487, RUBBER AND GASKET ADHESIVE. THE GASKET MATERIAL SHALL BE EPDM MATERIAL, 50 SHORE FROM RESEARCH & DEVELOPMENT CO., PART NO. MBE-03-MOD. GASKET AND FRAME SHALL BE CLEANED PRIOR TO APPLICATION OF THE ADHESIVE. ADHESIVE SHALL BE APPLIED TO GASKET AND FRAME.
- THE ABBREVIATION, "GRD" SHALL BE STENCILED IN RED LETTERS, 1 1/2" HIGH, ADJACENT TO EACH GROUNDING INSERT.
- INTERIOR WALLS TO BE PAINTED WHITE.

**FOLLOWING MATERIALS TO BE SHIPPED WITH VAULT:**

- (a) 7/8" x 1 3/4" CONSEAL (45 FEET REQ'D)
- (b) 30" x 48" I.D. EIGHT PIECE EPDM GASKET - R.& D. CO. # MBE-08-MOD (1 SET REQ'D.) (25-20-13)
- (c) 1/2" DIA. J-BOLTS - UGS 731 (4 REQ'D.) (20-10-461)

**ORDERING INFORMATION:**

K586-SE60-39P FOR ASSEMBLY AS SHOWN.  
PER CITY OF CORONA SPEC.  
WEIGHT FOR ASSEMBLY AS SHOWN IS 18,614 Lbs.



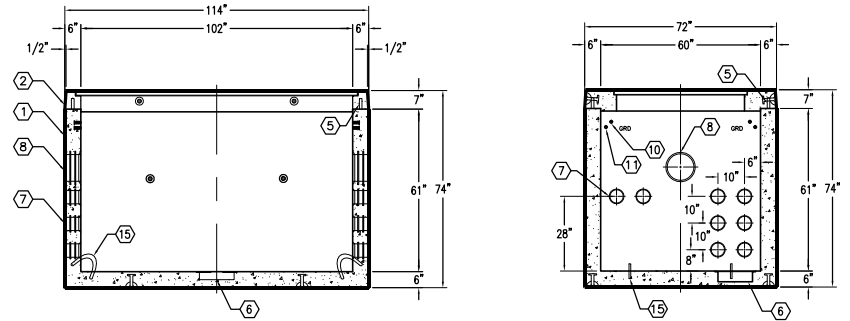
MINIMUM EXCAVATION SIZE:  
7'-0" x 10'-6" x DEPTH REQ'D.

**K586-SE60-39P**

PER CITY OF CORONA SPEC. 04-05-05

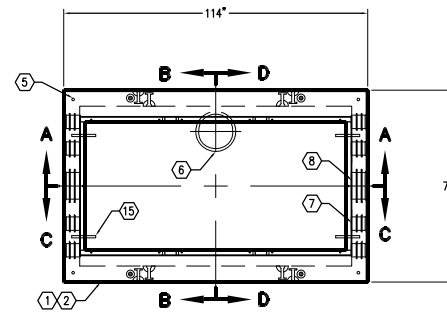
**JENSEN PRECAST**

AUTOCAD 2000

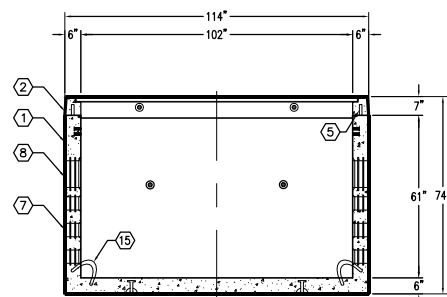


**SECTION A-A**

**SECTION B-B**



**PLAN VIEW**



**SECTION C-C**

**SECTION D-D**

**JENSEN PRECAST**

#	DATE	DESCRIPTION	BY

**K586-SE60-39P**

PER CITY OF CORONA SPEC. 04-05-05