

## 2'-0" x 3'-0" CITY OF CORONA DUCTED PULL BOX x 3'-0" DEEP

### NOTES:

- PULL BOX DESIGNED IN ACCORDANCE WITH AASHTO H-20-44 TRAFFIC BRIDGE LOADING USING 5,500 PSI COMPRESSIVE STRENGTH CONCRETE AND 60,000 PSI YIELD STRENGTH ASTM A-706 STEEL REINFORCEMENT.
- STEEL COVER DESIGNED FOR H-20-44 TRAFFIC LOADING.
- RPM COVER DESIGNED FOR PARKWAY LOADING.
- PULL BOX TO BE PLACED ON A MIN 6" BASE OF CRUSHER RUN FOR EASE OF INSTALLATION AND END LOAD DISTRIBUTION.

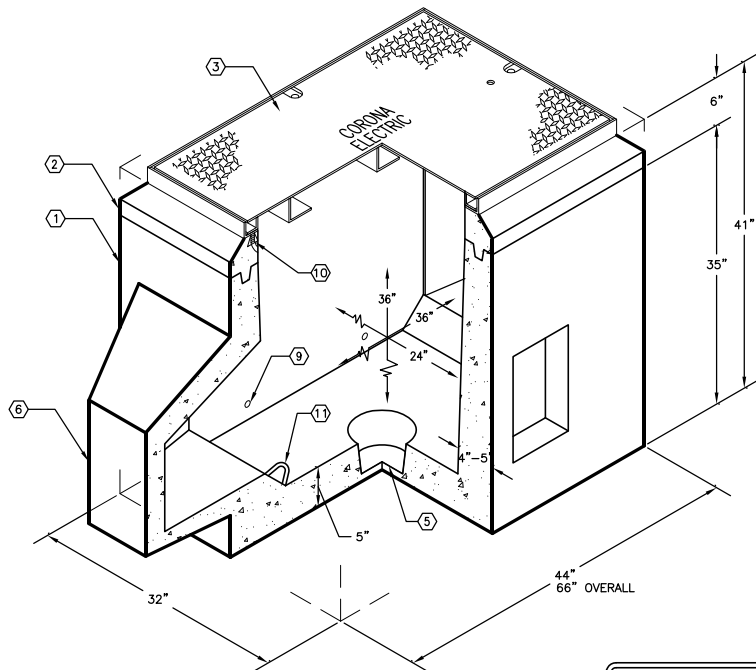
1. PB2436D-B30-05, 30" BOTTOM SECTION, WT. 1,822 lbs.
2. PB2436-T6E, 6" TOP SECTION, W/F2436-PB-ANG GALV. FRAME CAST IN. WT. 185 lbs.
- 3A. SC2436-TGV, ONE PIECE TRAFFIC COVER, GALVANIZED FINISH, MARKED "CORONA ELECTRIC". WT. 134 lbs. (AS SHOWN).
- 3B. 12-20-XX, ONE PIECE RPM COVER, MARKED "CORONA ELECTRIC". (NOT SHOWN).
5. 6" x 7" DIA. SUMP x 4" DEEP, BOTTOM SECTION.
6. 11" x 11" DUCTED K.O. x 13 1/2" DEEP, BOTTOM SECTION.
7. 8" x 16" K.O. x 3" DEEP, BOTTOM SECTION.
8. 1" DIA. BLIND GROUND ROD HOLE, BOTTOM SECTION.
9. 1/2" P-35-T INSERT, BOTTOM SECTION (8) CORE MTD.
10. 1/2" P-35-T INSERT W/CLEAN-OUT HOLE, TOP SECTION (4) SURFACE MTD.
11. 7/8" DIA. X 9" VERTICAL GALV. PULL IRON, BOTTOM SECTION. (2) CORE MTD.

### ORDERING INFORMATION:

PER CITY OF CORONA SPEC.  
TOTAL WEIGHT OF ASSEMBLY SHOWN IS 2,150 lbs.

PARKWAY ASSEMBLY WITH RPM COVER **K2436-DP36-39P**

LIGHT TRAFFIC ASSEMBLY WITH STEEL COVER **K2436-DP36-39T**



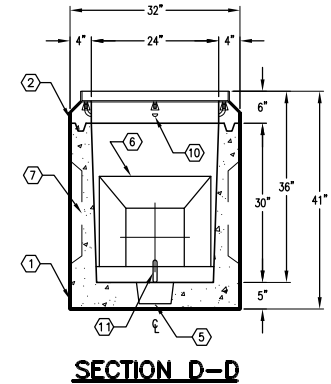
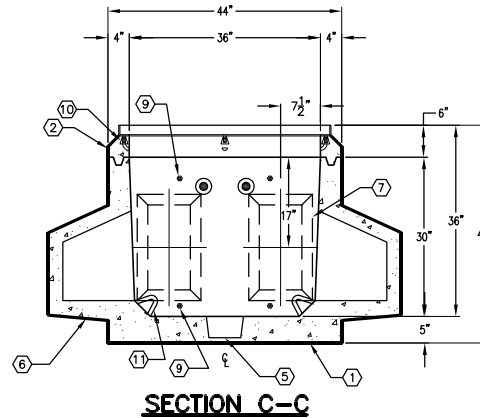
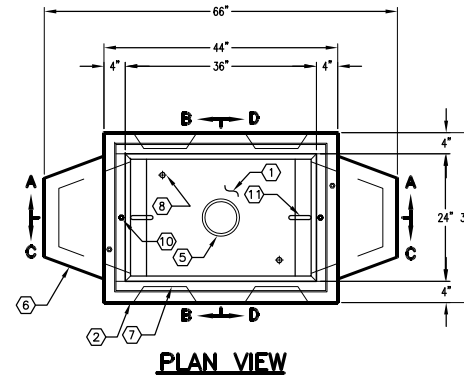
MINIMUM EXCAVATION SIZE:  
3'-8" x 6'-6" x DEPTH REQ'D.

**K2436-DP36-39**

PER CITY OF CORONA SPEC. 04-23-04

**JENSEN**  
PRECAST

AUTOCAD 2000



**JENSEN**  
PRECAST

#	DATE	DESCRIPTION	BY

**K2436-DP36-39**

PER CITY OF CORONA SPEC. 04-23-04