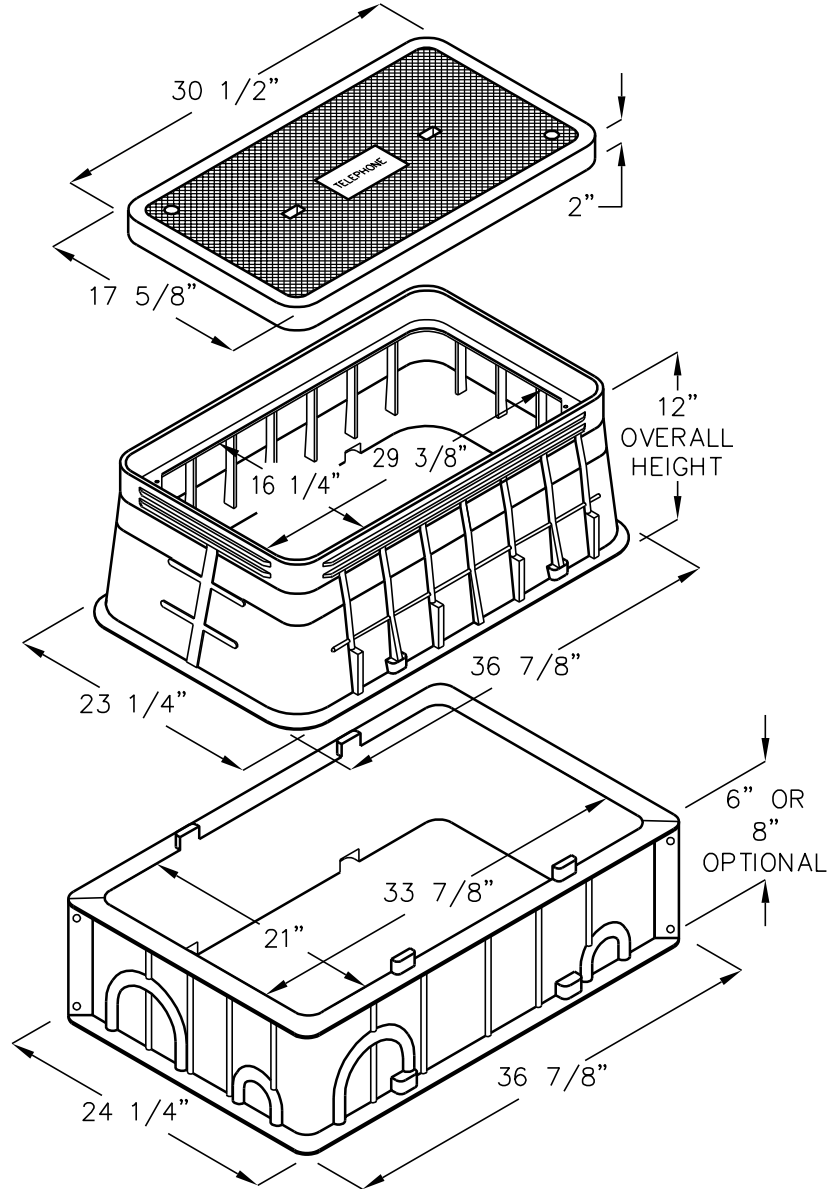


FL36 HANDHOLE

FIBRELYTE 17"x30"
(NOMINAL DIMENSIONS)



CATALOG NUMBER	PRODUCT	DESCRIPTION	APPROX. WT. (LBS.)
CYFL36	BOX	FIBRELYTE BOX	36
CYFL36X6EX	6" EXTENSION	FIBRELYTE EXTENSION	16
CYFL36X8EX	8" EXTENSION	FIBRELYTE EXTENSION	19
CYFL36DTEL	LID	FIBRELYTE LID	28

FOR COMPLETE DESIGN
AND PRODUCT INFORMATION
CONTACT JENSEN PRECAST.