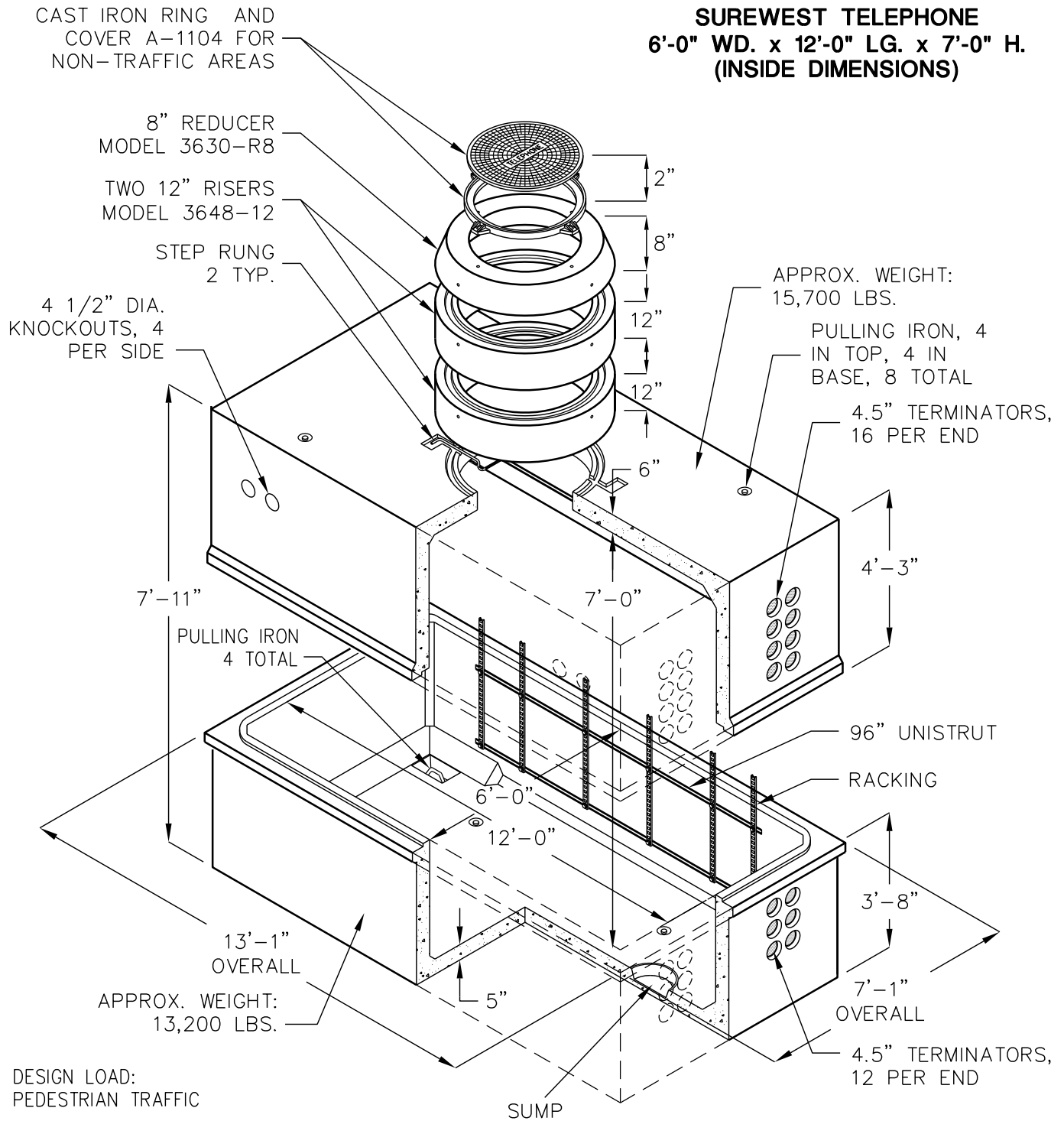


612-PST

SUREWEST TELEPHONE
6'-0" WD. x 12'-0" LG. x 7'-0" H.
(INSIDE DIMENSIONS)



DESIGN LOAD:
 PEDESTRIAN TRAFFIC

KNOCKOUTS, DUCT TERMINATORS, RACKING,
 AND LADDER PER CURRENT SUREWEST
 TELEPHONE SPECIFICATIONS.

FOR COMPLETE DESIGN
 AND PRODUCT INFORMATION,
 CONTACT JENSEN PRECAST.