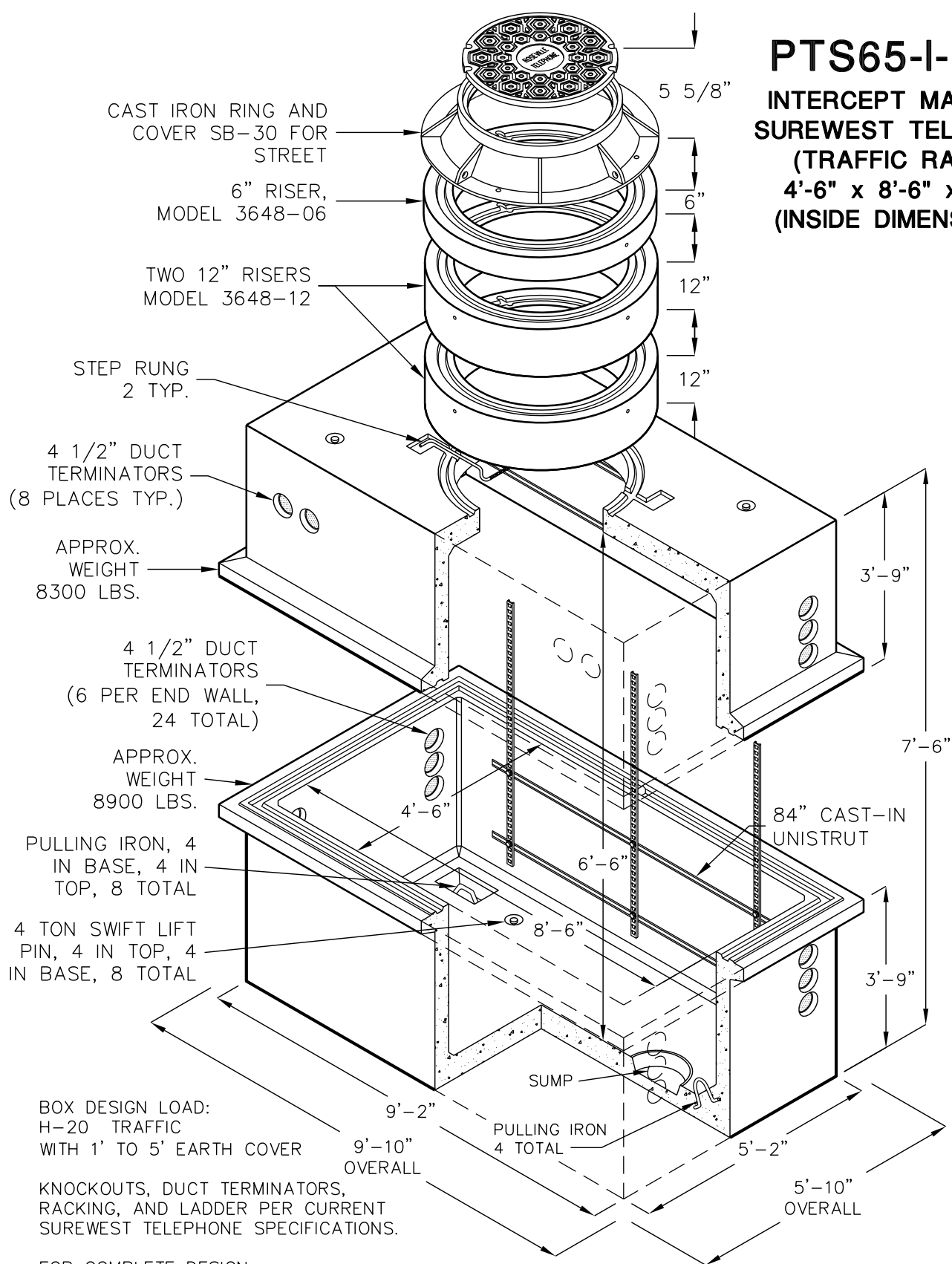


PTS65-I-TST

INTERCEPT MANHOLE
SUREWEST TELEPHONE
(TRAFFIC RATED)
4'-6" x 8'-6" x 6'-6"
(INSIDE DIMENSIONS)



CAST IRON RING AND COVER SB-30 FOR STREET

6" RISER, MODEL 3648-06

TWO 12" RISERS MODEL 3648-12

STEP RUNG 2 TYP.

4 1/2" DUCT TERMINATORS (8 PLACES TYP.)

APPROX. WEIGHT 8300 LBS.

4 1/2" DUCT TERMINATORS (6 PER END WALL, 24 TOTAL)

APPROX. WEIGHT 8900 LBS.

PULLING IRON, 4 IN BASE, 4 IN TOP, 8 TOTAL

4 TON SWIFT LIFT PIN, 4 IN TOP, 4 IN BASE, 8 TOTAL

BOX DESIGN LOAD: H-20 TRAFFIC WITH 1' TO 5' EARTH COVER

KNOCKOUTS, DUCT TERMINATORS, RACKING, AND LADDER PER CURRENT SUREWEST TELEPHONE SPECIFICATIONS.

FOR COMPLETE DESIGN AND PRODUCT INFORMATION, CONTACT JENSEN PRECAST.