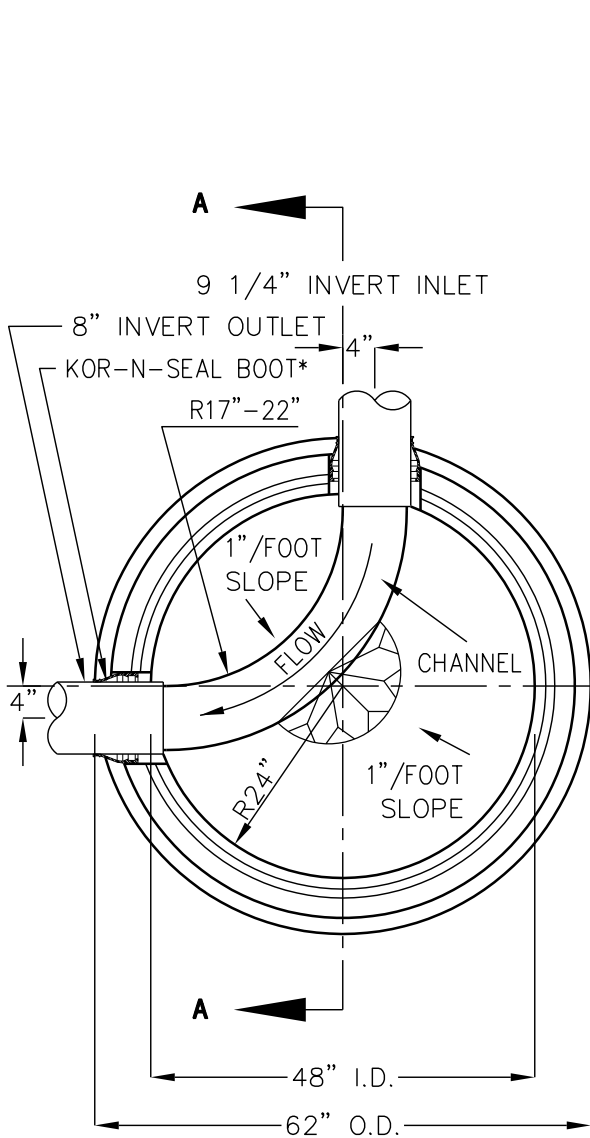
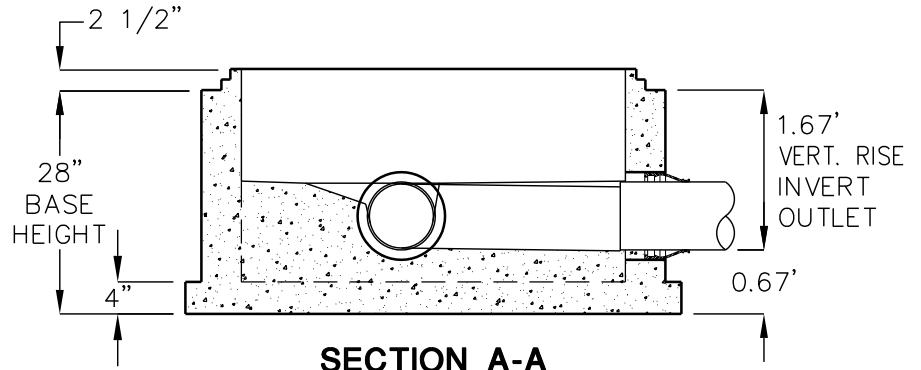


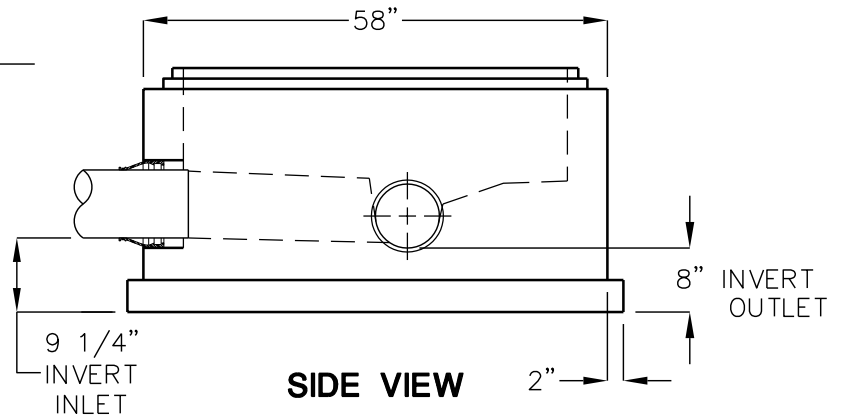
# 48" I.D., 2 WAY, 90° RIGHT CHANNEL TYPICAL BASE FOR 8" VITRIFIED CLAY PIPE



**TOP VIEW**



**SECTION A-A**



**SIDE VIEW**

CONFORMS TO CURRENT SPECIFICATION  
ASTM C-478 AND AASHTO NO. M199.

FLAT TOPS AND BASE SLABS ARE  
DESIGNED FOR AASHTO HS-20 WHEEL  
LOADING.

MEETS SPECIFICATION ASTM C 923-02,  
RESILIENT CONNECTORS BETWEEN  
REINFORCED CONCRETE MANHOLE  
STRUCTURES, PIPE AND LATERALS

FOR COMPLETE DESIGN  
AND PRODUCT INFORMATION  
CONTACT JENSEN PRECAST.