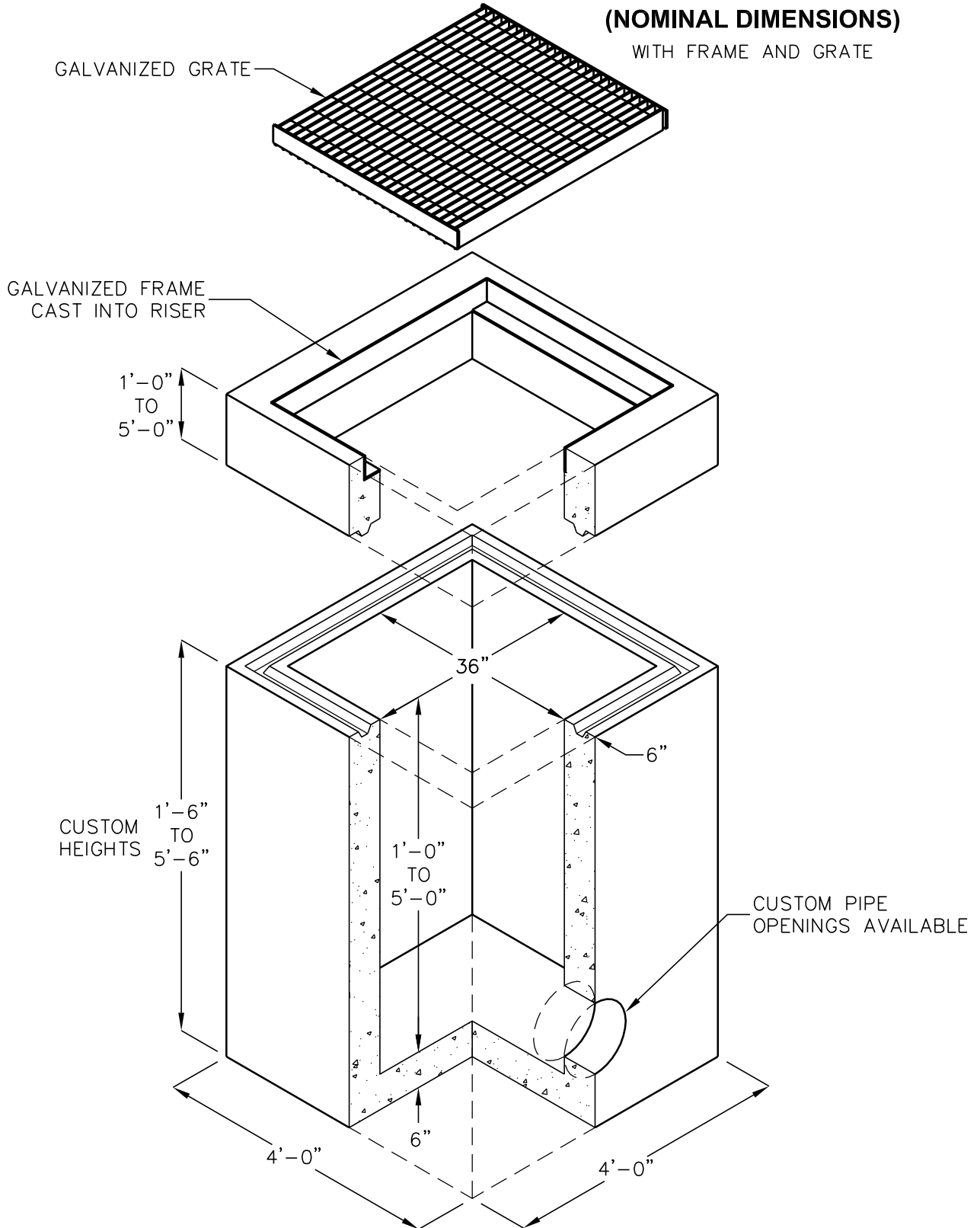


# DROP INLET

36"x36" I.D.  
(NOMINAL DIMENSIONS)

WITH FRAME AND GRATE



FOR COMPLETE DESIGN AND PRODUCT INFORMATION  
CONTACT JENSEN PRECAST.

2/1/08  
DI36x36\_3636FG\_FF\_A.dwg  
© 2008 Jensen Precast

Jensen Precast reserves the right to make changes to product design  
and/or dimensions without notice. Please contact Jensen Precast whenever  
necessary for confirmation or advice on product design.

**JENSEN**  
PRECAST