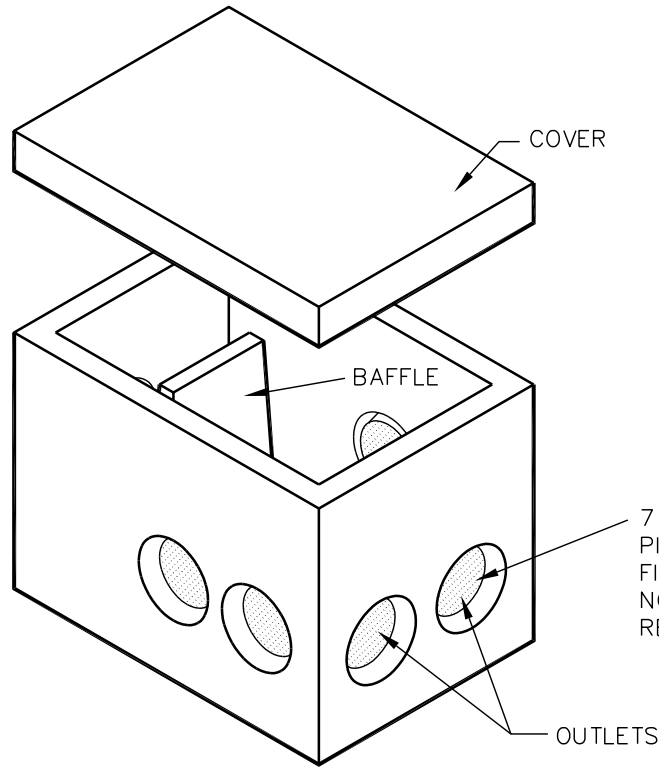


# RESIDENTIAL DISTRIBUTION BOX

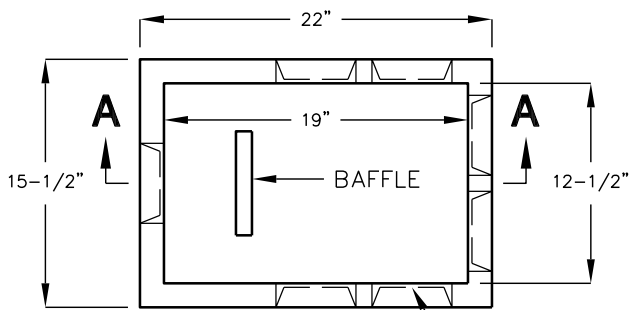
MODEL D6B



**WEIGHT:**

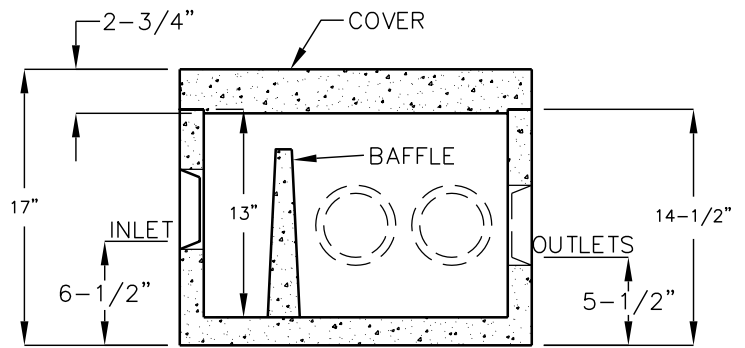
BOX - 160 LBS.  
COVER - 45 LBS.

7 PLASTIC  
PIPE SEALS,  
FITS ALL 4" PIPE.  
NO GROUT  
REQUIRED.



**TOP VIEW**

7 PLASTIC  
PIPE SEALS,  
FITS ALL 4" PIPE.  
NO GROUT  
REQUIRED.



**SECTION A-A**

FOR COMPLETE DESIGN  
AND PRODUCT INFORMATION,  
CONTACT JENSEN PRECAST.