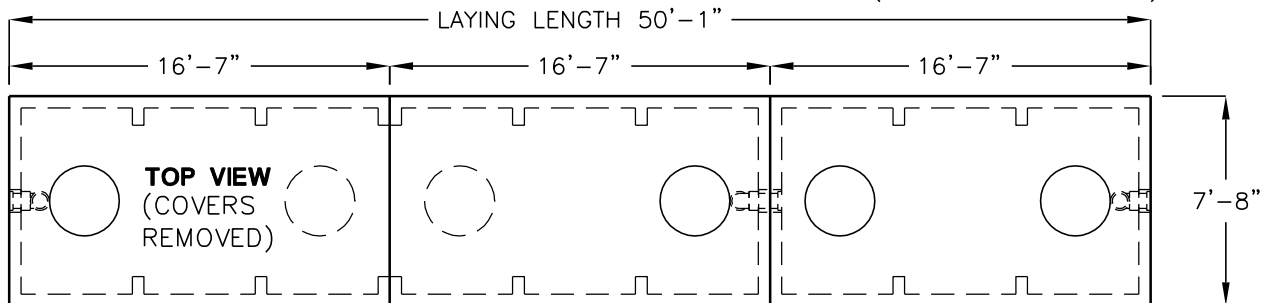
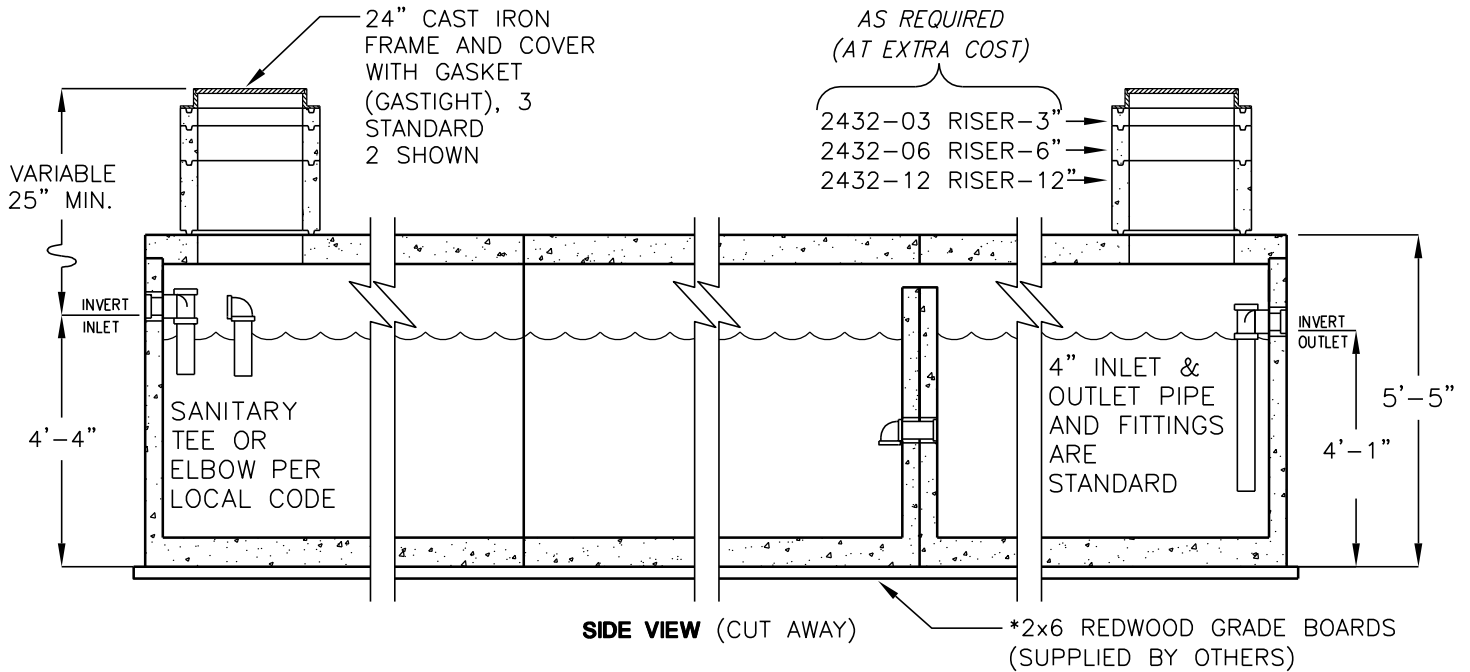


9000 GALLON LOW PROFILE BATTERY SAND-OIL INTERCEPTOR

MODEL 3XJP3000-SO



ASSEMBLY SEQUENCE
SIDE VIEW

- = RECOMMENDED RISER/CAST IRON COVER LOCATIONS
- = OPTIONAL RISER/CAST IRON COVER LOCATIONS

	1 COVER	2 COVER	3 COVER	
INLET	1 BASE	2 BASE	3 BASE	OUTLET

FOR INSTALLATION INSTRUCTIONS,
DESIGN AND PRODUCT INFORMATION,
CONTACT JENSEN PRECAST.

LIQUID CAPACITY: 9,000 GALLONS.

BOX DESIGN LOAD: H-20 TRAFFIC FROM
1' TO 5' OF SOIL COVER.