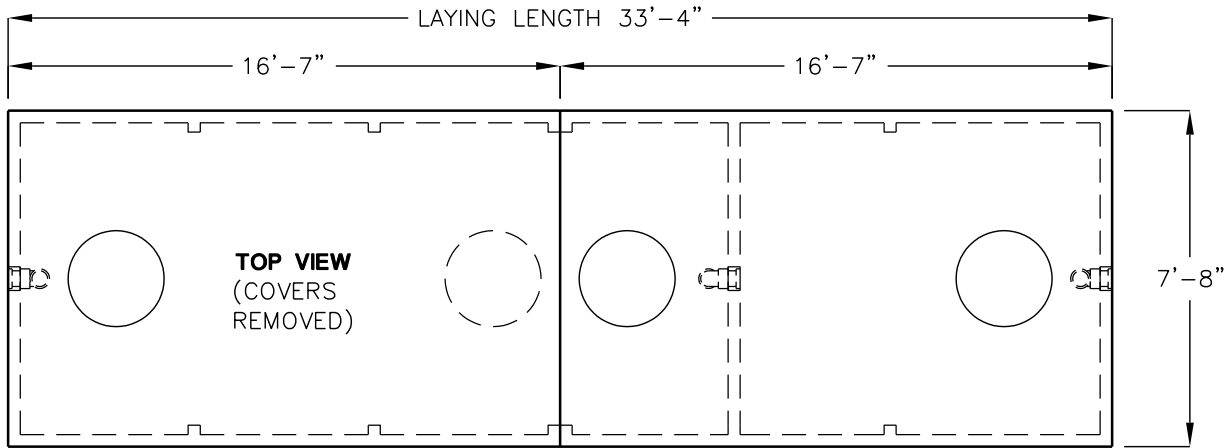
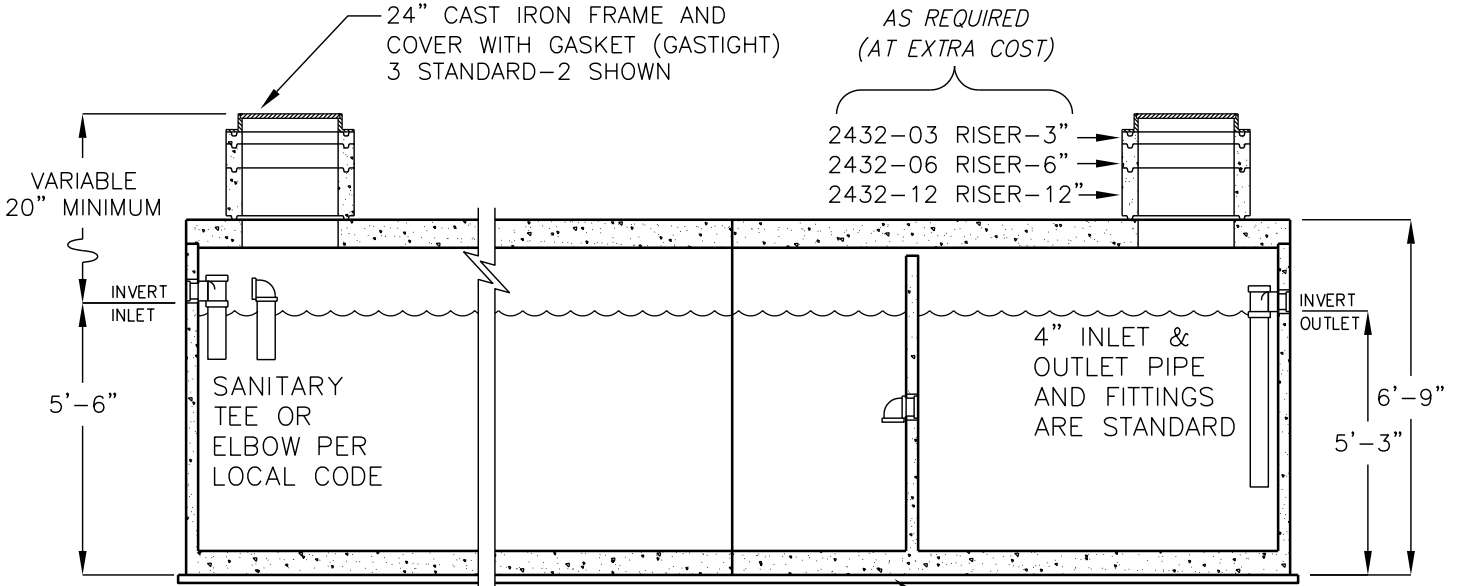


# 8000 GALLON BATTERY SAND-OIL INTERCEPTOR

## MODEL 2XJZ4000-SO



ASSEMBLY SEQUENCE  
SIDE VIEW

○ = RECOMMENDED  
RISER/CAST IRON  
COVER LOCATIONS

○ = OPTIONAL  
RISER/CAST IRON  
COVER LOCATIONS

INLET	1 COVER 1 BASE	2 COVER 2 BASE	OUTLET
-------	-------------------	-------------------	--------

FOR INSTALLATION INSTRUCTIONS,  
DESIGN AND PRODUCT INFORMATION,  
CONTACT JENSEN PRECAST.

LIQUID CAPACITY: 8,000 GALLONS.  
BOX DESIGN LOAD: H-20 TRAFFIC FROM  
1' TO 5' OF SOIL COVER.