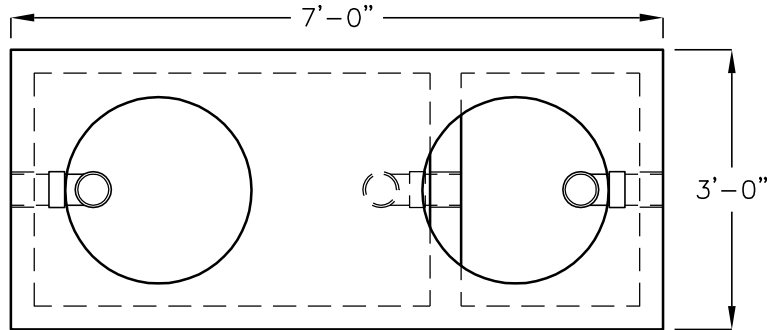
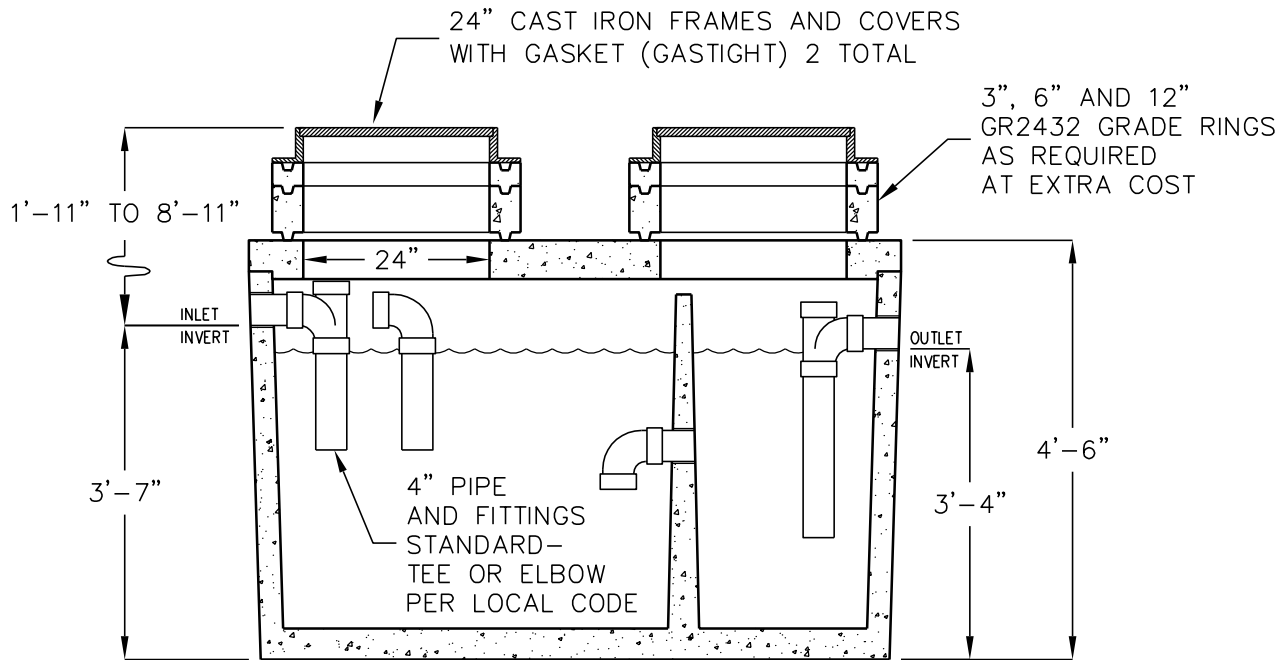


# 320 GALLON SAND-OIL INTERCEPTOR

MODEL JP320EE-SO  
LISTED BY UPC®



**TOP VIEW**  
(COVERS & RINGS REMOVED)



**SIDE SECTION VIEW**

OPERATING CAPACITY: 320 GALLONS.

DESIGN LOAD: H-20 TRAFFIC WITH DRY SOIL CONDITIONS (WATER LEVEL BELOW TANK) AND 1'-8' EARTH COVER.

BEDDING NOTE: SUITABLE SUB-BASE BEDDED WITH GRANULAR MATERIAL SHALL BE PREPARED TO HANDLE ANTICIPATED LOADS.

FOR COMPLETE DESIGN AND PRODUCT INFORMATION  
CONTACT JENSEN PRECAST.

MINIMUM EXCAVATION  
4'-0" x 8'-0"  
x REQ'D DEPTH