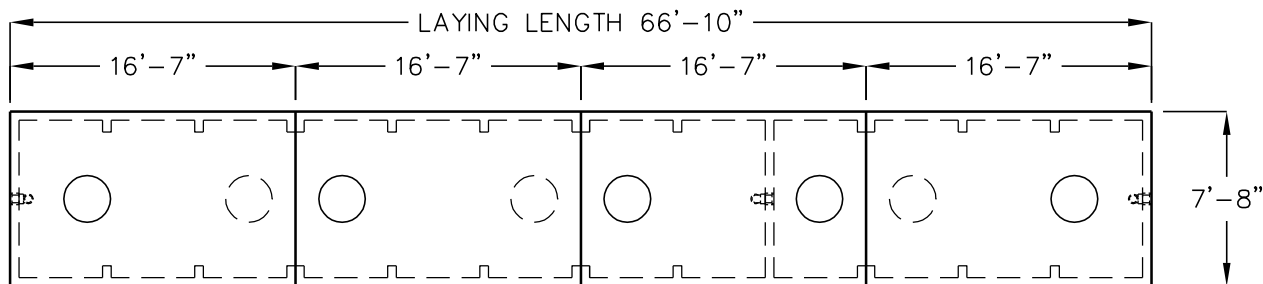
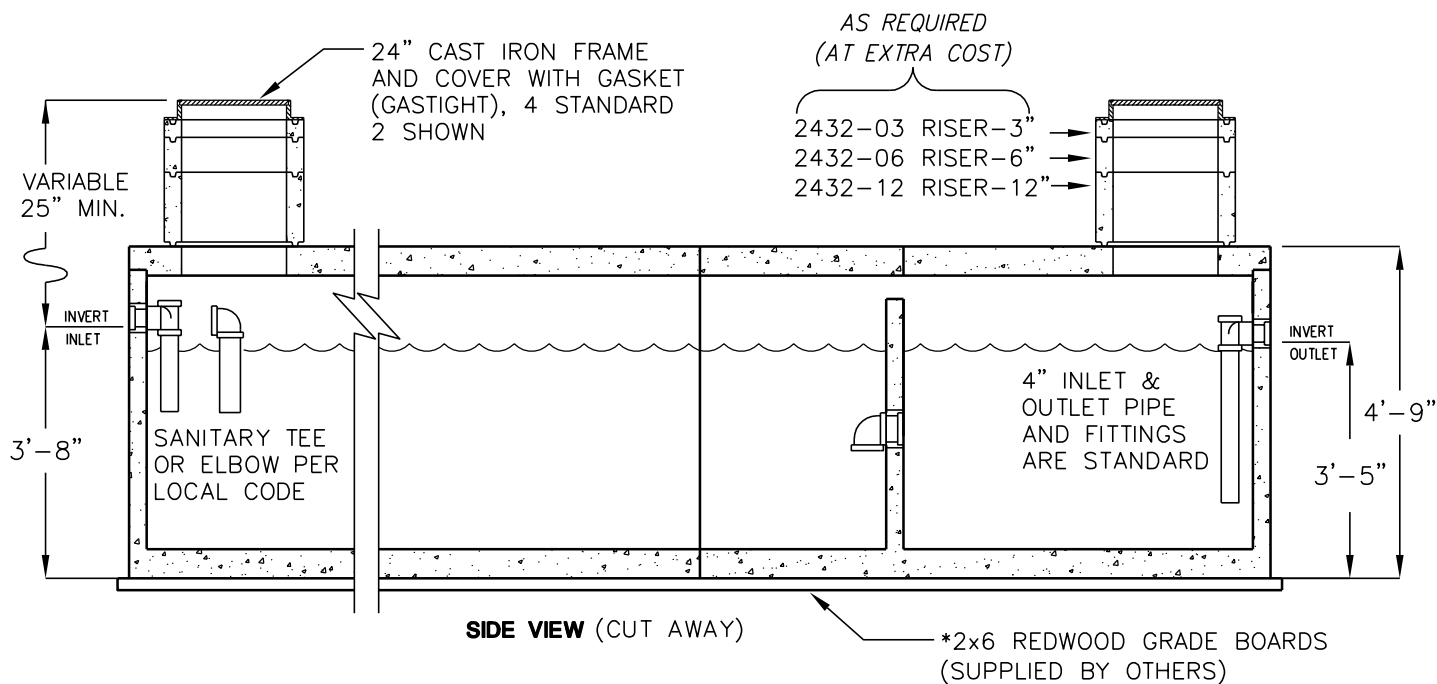


# 10,000 GALLON LOW PROFILE BATTERY SAND-OIL INTERCEPTOR

## MODEL 4XJP2500-SO



**TOP VIEW**  
(COVERS  
REMOVED)

ASSEMBLY SEQUENCE  
SIDE VIEW

- = RECOMMENDED RISER/CAST IRON COVER LOCATIONS
- = OPTIONAL RISER/CAST IRON COVER LOCATIONS

	1 TOP	2 TOP	3 TOP	4 TOP	
INLET	1 BASE	2 BASE	3 BASE	4 BASE	OUTLET

FOR INSTALLATION INSTRUCTIONS,  
DESIGN AND PRODUCT INFORMATION  
CONTACT JENSEN PRECAST.

LIQUID CAPACITY: 10,000 GALLONS.  
BOX DESIGN LOAD: H-20 TRAFFIC FROM  
1' TO 5' OF SOIL COVER.